

# SPARE PARTS LIST

MODEL NO. 7104L

ITEM	PART NO.	DESCRIPTION	QTY	NOTE
001	666365-6	POWER SUPPLY CORD 1.00-3-5.0	1	
002	682503-2	CORD GUARD 8-90	1	
003	953106-2	RIVET 0-5	2	
004	856822-4	NAME PLATE 7104L	1	
005	687001-1	STRAIN RELIEF	1	
006	652014-1	PAN HEAD SCREW M4X8	1	
007	911123-8	PAN HEAD SCREW M4X14	2	
008	341570-3	GRIP HOLDER R	1	
009	911226-8	PAN HEAD SCREW M5X18	3	
010	911206-4	PAN HEAD SCREW M5X10	2	
011	181298-9	SWITCH CASE SET INC. 144	1	
012	651024-5	SWITCH HPAH6-2S	1	
014	157044-2	GEAR HOUSING INC. 90	1	
015	142201-5	MOTOR HOUSING COMPLETE INC. 89	1	
016	681002-1	INSULATION WASHER	2	
017	181044-0	CARBON BRUSH CB-153	1	
018	643650-4	BRUSH HOLDER CAP 6.5-13.5	2	
019	911226-8	PAN HEAD SCREW M5X18	3	
020	273416-4	GRIP 25	1	
021	341571-1	GRIP HOLDER L	1	
022	911206-4	PAN HEAD SCREW M5X10	2	
023	231747-7	TENSION SPRING 20	1	
024	265254-8	HEX. BOLT M8X44	1	
025	931402-8	HEX. NUT M8	1	
026	331162-6	LEVER C	1	
027	231551-4	TORSION SPRING 12	1	
028	256114-5	PIN 10	1	
029	951116-3	SPRING PIN 4-20	1	
030	341746-2	CHAIN COVER	1	
031	265253-0	HEX. BOLT M10	1	
032	942253-4	SPRING WASHER 10	1	
033	941252-3	FLAT WASHER 10	1	
034	251852-4	SCREW M8X28	1	
035	951116-3	SPRING PIN 4-20	1	
036	265254-8	HEX. BOLT M8X44	1	
037	931402-8	HEX. NUT M8	1	
038	232068-0	LEAF SPRING	1	
039	911109-2	PAN HEAD SCREW M4X8	2	
040	911908-2	PAN HEAD SCREW M5X80	4	
041	921222-8	HEX. BOLT M5X16	3	
042	931202-6	HEX. NUT M5	3	
043	951172-3	SPRING PIN 5-32	1	
044	310568-1	FRONT HOUSING	1	
045	253042-5	FLAT WASHER 24	2	
046	951213-5	SPRING PIN 6-24	1	
047	951116-3	SPRING PIN 4-20	1	
048	261022-7	RUBBER WASHER 24	2	
049	951181-2	SPRING PIN 5-45	1	
050	319052-3	CARRY HANDLE	1	
051	325057-3	DEPTH GAUGE	1	
052	951151-1	SPRING PIN 5-12	1	
053	231543-3	TORSION SPRING 13	1	
054	257005-3	RING 8	1	
055	341585-0	HOOK	1	
056	251215-4	+ PAN HEAD SCREW M6	1	
057	252409-4	NUT M10-20	1	
058	924316-8	WING BOLT M6X15	1	
059	231005-1	COMPRESSION SPRING 7	1	

# SPARE PARTS LIST

MODEL NO. 7104L

ITEM	PART NO.	DESCRIPTION	QTY	NOTE
060	931402-8	HEX. NUT M8	1	
061	816045-6	INDICATION PLATE	1	
062	911109-2	PAN HEAD SCREW M4X8	2	
063	341588-4	INDICATOR PLATE	1	
064	911109-2	PAN HEAD SCREW M4X8	1	
065	142198-8	BASE COMPLETE	1	
066	253042-5	FLAT WASHER 24	2	
067	411723-9	BELLOWS	2	
068	231289-1	COMPRESSION SPRING 25	2	
069	341745-4	DISC	1	
070	951213-5	SPRING PIN 6-24	2	
071	310569-9	CHAIN BAR HOLDER	1	
072	951178-1	SPRING PIN 5-40	1	
073	A-16570	CUTTER CHAIN 16.5	1	
074	325330-1	HEAD SHAFT	1	
075	133571-3	CHAIN BAR ASS'Y F/15-24MM INC. 74,76-78	1	
076	211076-4	BALL BEARING 1008LL	1	
077	943152-3	TOOTHED LOCK WASHER 6	1	
078	251258-6	+ COUNTERSUNK HEAD SCREW M6X12	1	
079	211106-1	BALL BEARING 6201LLB	1	
080	213102-5	DUST SEAL 12	1	
081	241513-4	FAN 92	1	
082	514613-6	ARMATURE ASS'Y 220V INC. 79,80,81,83,84	1	
083	213051-6	DUST SEAL 10	1	
084	211066-7	BALL BEARING 6200LLB	1	
086	524568-7	FIELD ASS'Y 220V	1	
087	254001-2	WOODRUFF KEY 4	1	
088	911300-2	PAN HEAD SCREW M5X75	2	
089	263002-9	RUBBER PIN 4	1	
090	263005-3	RUBBER PIN 6	1	
091	931502-4	HEX. NUT M10	1	
092	942253-4	SPRING WASHER 10	1	
093	941252-3	FLAT WASHER 10	1	
094	257017-6	RING 15	1	
095	221501-7	SPROCKET 4	1	
096	211311-0	BALL BEARING 6304LLB	1	
097	321373-1	SPINDLE	1	
098	221671-2	HELICAL GEAR 47	1	
099	253197-6	FLAT WASHER 10	1	
100	212066-0	NEEDLE BEARING 1015	1	
101	133014-5	LEVER 98 ASS'Y INC. 126	1	
102	265235-2	HEX. BOLT M12X34	1	
103	319050-7	WISE ELEMENT	1	
104	321380-4	SCREW M14	1	
105	951116-3	SPRING PIN 4-20	1	
106	253180-3	FLAT WASHER 10	1	
107	231287-5	COMPRESSION SPRING 10	1	
108	951172-3	SPRING PIN 5-32	2	
109	154282-7	LEVER B COMPLETE	1	
110	921421-2	HEX. BOLT M8X16	2	
111	341587-6	STOPPER	1	
112	941201-0	FLAT WASHER 8	2	
113	271610-2	KNOB 40	2	
114	341569-8	CLAMP LEVER	1	
115	256106-4	PIN 9	1	
116	951116-3	SPRING PIN 4-20	2	
117	257075-2	RING 9	1	
118	253808-3	FLAT WASHER 9	1	

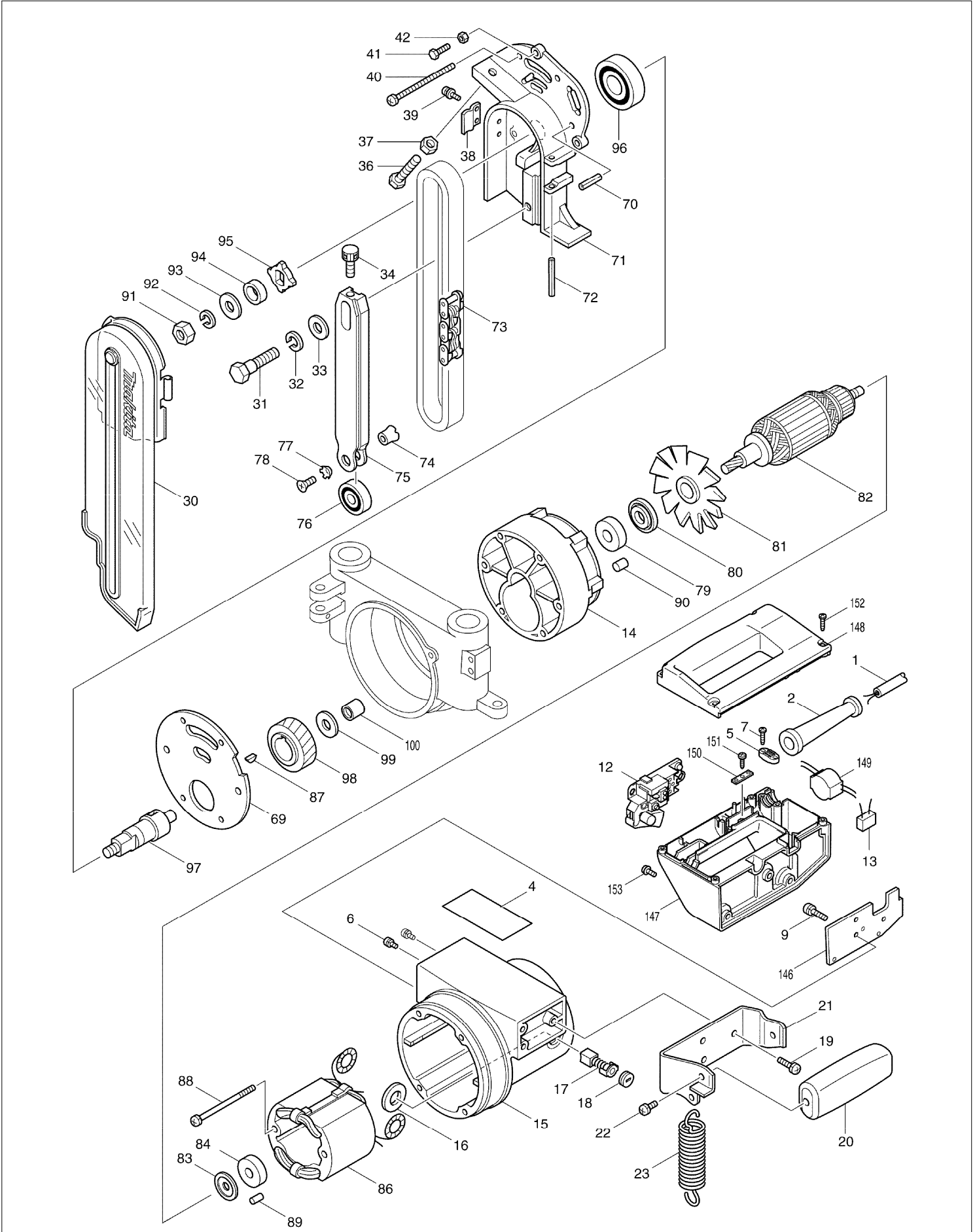
# SPARE PARTS LIST

MODEL NO. 7104L

ITEM	PART NO.	DESCRIPTION	QTY	NOTE
119	256623-4	PIN 9	1	
120	253808-3	FLAT WASHER 9	1	
121	257561-3	SLEEVE 9	1	
122	231746-9	TENSION SPRING 9	1	
123	951110-5	SPRING PIN 4-16	1	
124	321381-2	SLIDE BAR	1	
125	951163-4	SPRING PIN 5-20	1	
126	911207-2	PAN HEAD SCREW M5X10	1	
127	321382-0	GUIDE POLE	1	
128	231286-7	COMPRESSION SPRING 36	1	
129	231285-9	COMPRESSION SPRING 48	1	
130	319049-2	WISE SHOE	1	
131	321232-9	WISE SHAFT	1	
132	253011-6	FLAT WASHER 6	1	
133	911356-5	PAN HEAD SCREW M6X35	1	
134	951166-8	SPRING PIN 5-24	1	
135	253808-3	FLAT WASHER 9	1	
136	319053-1	FRONT VICE	1	
137	257562-1	SLEEVE 9	1	
138	951116-3	SPRING PIN 4-20	1	
139	253180-3	FLAT WASHER 10	1	
140	961012-7	STOP RING E-6	1	
141	133201-6	HANDLE ASS'Y INC. 140,142,143	1	
142	271607-1	KNOB 20	1	
143	256614-5	PIN 8	1	
144	181298-9	SWITCH CASE SET INC. 11	1	
400	934401-9	WING NUT M8	1	
401	941201-0	FLAT WASHER 8	1	
402	123028-2	SHARPENING HOLDER ASS'Y INC. 400,401,403	1	
403	921445-8	HEX. BOLT M8X25	1	
404	182229-1	OIL SUPPLY 100CC INC. 405	1	
405	242012-9	OIL SUPPLY NOZZLE	1	
406	781204-0	WRENCH 13-17	1	

# SERVICE DRAWING

MODEL NO. 7104L



# SERVICE DRAWING

MODEL NO. 7104L

