

SPARE PARTS LIST

MODEL NO. EA3202S

ITEM	PART NO.	DESCRIPTION	QTY	NOTE
001	168823-3	TANK CAP COMPLETE INC. 2	1	
002	213080-9	O RING 29.5	1	
003	163447-0	GASOLINE FILTER	1	
004	195758-5	TANK ASSEMBLY A BLUE INC. 5-13	1	
005	266651-1	H.L. TAPPING SCREW 5.5X16	1	
006	452021-2	GRIP SHELL	1	
007	452020-4	CATCH LEVER	1	
008	231866-9	TORSION SPRING 10	1	
009	452019-9	THROTTLE LEVER	1	
010	195762-4	AIR VALVE SET	1	
011	452018-1	FUEL NIPPLE	1	
012	213586-7	O RING 11.5	1	
013	424456-7	FUEL LINE	1	
014	814D58-5	EA3202S NAME PLATE	1	
017	452036-9	TUBULAR HANDLE	1	
018	346517-2	CUP WASHER 6	1	
019	234189-4	COMPRESSION SPRING 12	1	
020	266605-8	H.L. SOCKET HEAD BOLT M5X16	1	
021	266651-1	H.L. TAPPING SCREW 5.5X16	1	
022	891898-4	MAKITA LOGO LABEL	1	
023	266651-1	H.L. TAPPING SCREW 5.5X16	4	
024	452031-9	AIR FILTER COVER	1	
025	423414-0	AIR FILTER	1	
026	452030-1	INTAKE MANIFOLD	1	
027	266604-0	H.L. SOCKET HEAD BOLT M4X40	2	
028	424173-9	DAMPING PLUG	2	
029	168398-2	PRIMER PUMP	1	
030	422067-2	TUBE 2.5-55	1	
031	422065-6	TUBE 2.5-112	1	
032	422068-0	TUBE 3-70	1	
033	422066-4	TUBE 2.5-72	1	
034	318634-8	FLANGE RING	1	
035	346413-4	BUSH 17	1	
036	452024-6	INTERMEDIATE FLANGE	1	
037	424340-6	INTAKE HOSE	1	
038	233971-8	RING SPRING	1	
039	266651-1	H.L. TAPPING SCREW 5.5X16	1	
040	264044-6	SNAP NUT M5	1	
041	168848-7	CARBURETOR INC. 170,171,174-180,184-189 INC. 191-210,213-217	1	
042	266421-8	TAPPING SCREW 3X10	1	
043	346290-4	CONTACT SPRING	1	
044	266651-1	H.L. TAPPING SCREW 5.5X16	1	
045	452023-8	HOOD	1	
046	266607-4	H.L. SOCKET HEAD BOLT M5X20	1	
047	325938-1	ANGULAR NIPPLE	1	
048	346306-5	COOLING PLATE	1	
049	325939-9	CONNECTING LINK	1	
050	346304-9	GASKET	1	
051	266605-8	H.L. SOCKET HEAD BOLT M5X16	2	
052	168631-2	MUFFLER COMPLETE INC. 53	1	
053	346294-6	SPARK ARRESTER SCREEN	1	
054	266606-6	H.L. SOCKET HEAD BOLT M5X40	1	
055	266605-8	H.L. SOCKET HEAD BOLT M5X16	2	
056	196384-3	CYLINDER PISTON SET INC. 57	1	
057	195760-8	PISTON SET	1	

SPARE PARTS LIST

MODEL NO. EA3202S

ITEM	PART NO.	DESCRIPTION	QTY	NOTE
		INC. 58-60		
058	325991-7	PISTON RING 38	1	
059	325992-5	PISTON PIN 8	1	
060	233988-1	RING SPRING 8	1	
061	213582-5	OIL SEAL 12	1	
062	211341-1	BALL BEARING 6201	1	
063	212086-4	NEEDLE CAGE 810	1	
064	195956-1	CRANK SHAFT SET INC. 61,62,65,66	1	
065	211341-1	BALL BEARING 6201	1	
066	213582-5	OIL SEAL 12	1	
067	424339-1	CRANK CASE SEALING	1	
068	318633-0	CRANKCASE UNDERSIDE	1	
069	168823-3	TANK CAP COMPLETE INC. 70	1	
070	213080-9	O RING 29.5	1	
072	266651-1	H.L. TAPPING SCREW 5.5X16	2	
073	234189-4	COMPRESSION SPRING 12	1	
074	816917-5	INDICATION LABEL	1	
075	452025-4	CHOKE LEVER	1	
076	452022-0	THROTTLE LINKAGE	1	
077	266608-2	H.L.TAPPING SCREW 5X40	4	
078	325946-2	BUSH 6	4	
079	234189-4	COMPRESSION SPRING 12	1	
080	266651-1	H.L. TAPPING SCREW 5.5X16	2	
081	234189-4	COMPRESSION SPRING 12	1	
082	266651-1	H.L. TAPPING SCREW 5.5X16	2	
083	266651-1	H.L. TAPPING SCREW 5.5X16	2	
084	168504-9	VENT VALVE	1	
085	346301-5	SPIKE BAR	1	
086	346385-3	HEAT PROTECTION FOIL	1	
087	444042-8	ISOLATING TUBE 6-80	1	
088	424522-0	PLUG CAP	1	
089	168401-9	SPARK PLUG	1	
090	452670-5	ISOLATING WASHER	2	
091	126270-4	IGNITION COIL ASSEMBLY INC. 87,88	1	
092	266631-7	H.L. SOCKET HEAD BOLT M5X20	2	
093	168601-1	CABLE HARNESS	1	
094	266651-1	H.L. TAPPING SCREW 5.5X16	3	
095	800J98-5	EA3202S MODEL NO. LABEL	1	
096	168608-7	STARTER COMPLETE BLUE INC. 97-99,101-105,152	1	
097	453783-5	STARTER GRIP	1	
098	267847-7	SQUARE WASHER 4	1	
099	444038-9	STARTER ROPE	1	
100	234252-3	REWIND SPRING	1	
101	453785-1	REEL	1	
102	234253-1	TORSION SPRING 20	1	
103	453786-9	CAM PLATE	1	
104	266777-9	TAPPING SCREW 5X12	1	
105	452026-2	AIR GUIDE PLATE	1	
106	264053-5	HEX. NUT M8X1	1	
107	267822-3	SPRING WASHER 8	1	
108	140480-9	FLYWHEEL COMPLETE INC. 109	1	
109	195761-6	RATCHET SET	2	
110	452032-7	HAND GUARD	1	
111	810075-9	CAUTION LABEL	1	
112	266627-8	H.L. TAPPING SCREW 4.7X16	1	
113	267066-5	FLAT WASHER 5	1	

SPARE PARTS LIST

MODEL NO. EA3202S

ITEM	PART NO.	DESCRIPTION	QTY	NOTE
114	313212-9	HAND GUARD GUIDE	1	
115	234210-9	COMPRESSION SPRING 6	1	
116	231868-5	TENSION SPRING 10	1	
117	163500-2	LINK PLATE COMPLETE	1	
118	325947-0	BUSH 6	2	
119	346299-6	SPACER SHEET METAL	1	
120	961011-9	STOP RING E-4	1	
121	452033-5	BRAKE COVER	1	
122	266421-8	TAPPING SCREW 3X10	2	
123	452035-1	PUMP DRIVE	1	
124	168645-1	OIL SUCTION LINE COMPLETE INC. 125,126	1	
125	234207-8	COMPRESSION SPRING 6	1	
126	452666-6	NIPPLE	1	
127	424342-2	OIL PRESSURE LINE	1	
128	161346-0	OIL PUMP COMPLETE	1	
130	266627-8	H.L. TAPPING SCREW 4.7X16	1	
131	267430-0	FLAT WASHER 10	1	
132	267431-8	FLAT WASHER 10	1	
133	168607-9	CLUTCH COMPLETE INC. 134	1	
134	231873-2	TENSION SPRING 5	2	
135	140484-1	CLUTCH DRUM ASSEMBLY	1	
136	267833-8	CUP WASHER 8	1	
137	259033-4	RETAINING RING E TYPE 6	1	
138	346298-8	BRAKE BAND	1	
139	140477-8	ENGINE HOUSING COMPLETE	1	
140	195763-2	CHAIN TENSIONER SET INC. 141-146	1	
141	213594-8	O RING 7	1	
142	227744-9	HELICAL GEAR 18	1	
143	227743-1	HELICAL GEAR 11	1	
144	452667-4	GEAR COVER PROFESSIONAL	1	
145	346300-7	TENSION SLIDE	1	
146	452668-2	CLAMP SCREW BEDDING	1	
147	266421-8	TAPPING SCREW 3X10	1	
148	346518-0	GUIDE PLATE	1	
149	452044-0	SPROCKET GUARD	1	
150	264055-1	COLLARED HEX. NUT M8	2	
151	453784-3	SPRING CASSETTE	1	
152	195955-3	REWIND SPRING SET INC. 100,151	1	
170	ZJ00000020	SCREW (PUMP COVER)	1	
171	ZJ00000004	COVER KIT,PUMP	1	
172	WJ00096369	SCREW-IDLE ADJ.	1	
173	WJ00098356	SPRING	1	
174	ZJ00000023	SCREW	1	
175	ZJ00000025	LEVER,CHOKE	1	
176	ZJ00000040	SPRING,THROTTLE RETURN	1	
177	ZJ00000015	SHAFT ASSY,CHOKE	1	
178	ZJ00000034	SPRING,THROTTLE RETURN	1	
179	ZJ00000026	SCREW,IDLE MIXTURE	1	
180	ZJ00000039	SCREW,MAIN MIXTURE	1	
181	WJ00098404	SPRING	2	
182	WJ00136152	WASHER	2	
183	WJ00016105	O RING	2	
184	ZJ00000024	VALVE,CHOKE	1	
185	ZJ00000010	SPRING, METERING LEVER	1	
186	ZJ00000006	LEVER	1	
187	ZJ00000008	PIN	1	
188	ZJ00000007	VALVE, INLET NEEDLE	1	

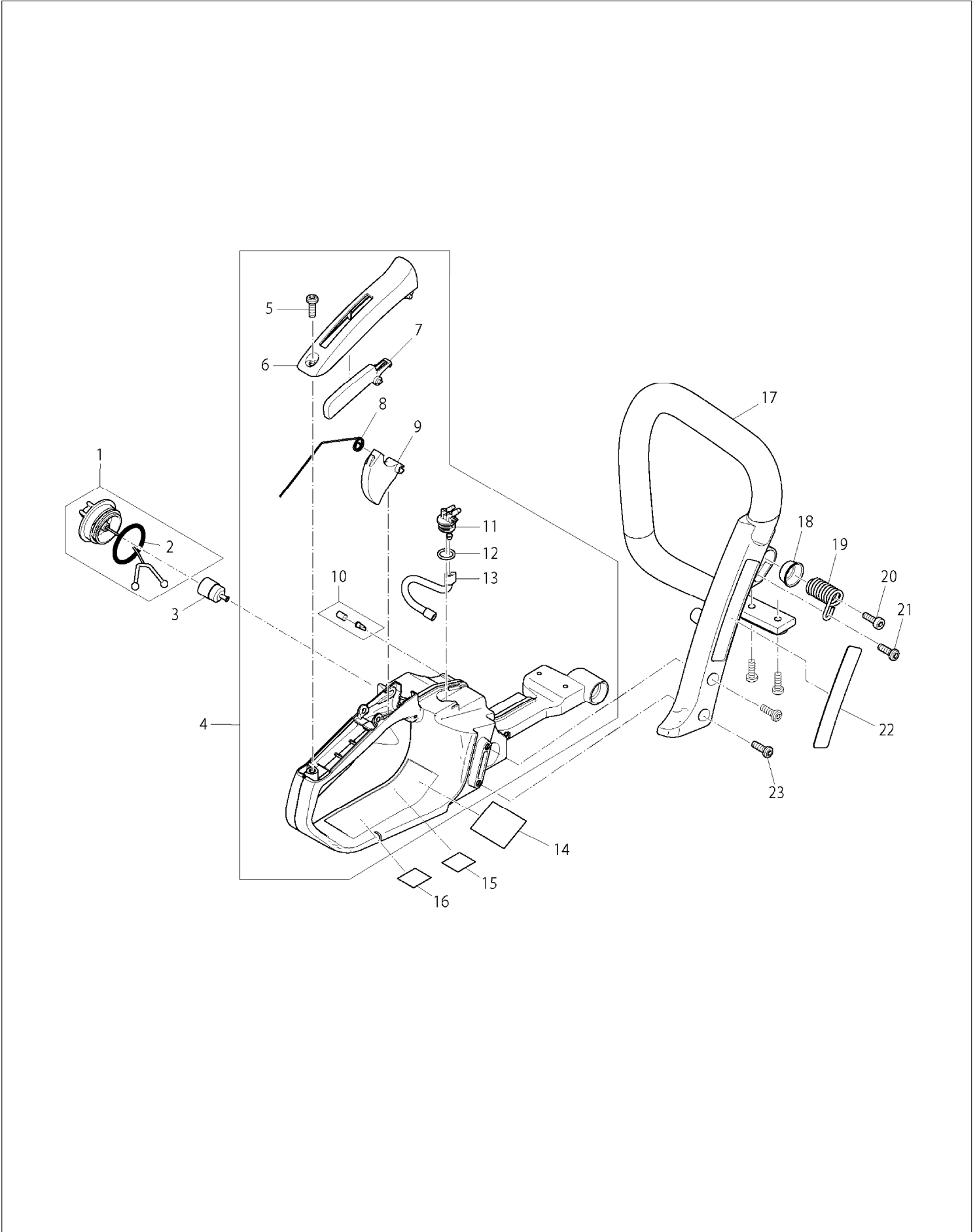
SPARE PARTS LIST

MODEL NO. EA3202S

ITEM	PART NO.	DESCRIPTION	QTY	NOTE
189	ZJ00000009	SCREW (METERING LEVER PIN)	1	
190	WJ00088271	PLUG-WELCH	1	
191	ZJ00000028	COVER,METERING	1	
192	ZJ00000013	DIAPHRAGM ASS'Y,METERING	1	
193	ZJ00000011	GASKET,METERING CHAMBER	1	
194	ZJ00000012	SHAFT ASSY,CHOKE	1	
195	ZJ00000033	WASHER	1	
196	ZJ00000031	LEVER,CHOKE	1	
197	ZJ00000032	SPRING,CHOKE RETURN	1	
198	ZJ00000017	E-RING	1	
199	ZJ00000022	LEVER,THROTTLE	1	
200	ZJ00000019	SPRING	1	
201	ZJ00000005	PLUNGER KIT	1	
202	ZJ00000036	PLUG,ACC POCKET	1	
203	ZJ00000003	STRAINER	1	
204	ZJ00000030	VALVE,THROTTLE	1	
205	ZJ00000029	DIAPHRAGM, PUMP	1	
206	ZJ00000016	GASKET, PUMP	1	
207	ZJ00000014	SCREW (WITH SERRATION)	2	
208	ZJ00000001	SCREW	1	
209	ZJ00000023	SCREW	1	
210	ZJ00000001	SCREW	1	
211	WJ00001673	RING-RETAINING	1	
212	424519-9	HOOD CAP	1	
213	ZJ00000038	BODY,ASS'Y	1	
214	ZJ00000018	NOZZLE ASS'Y,CHECK VALVE	1	
215	ZJ00000021	COLLAR	1	
216	ZJ00000035	RETAINER	2	
217	ZJ00000037	STRAINER	1	
A01	165246-6	GUIDE BAR	1	
A02	419559-0	CHAIN PROTECTION COVER 330	1	
A03	511291752	CHAIN BLADE 14	1	
A04	782026-1	UNIVERSAL WRENCH 13/16	1	
A05	783012-5	SCREWDRIVER	1	

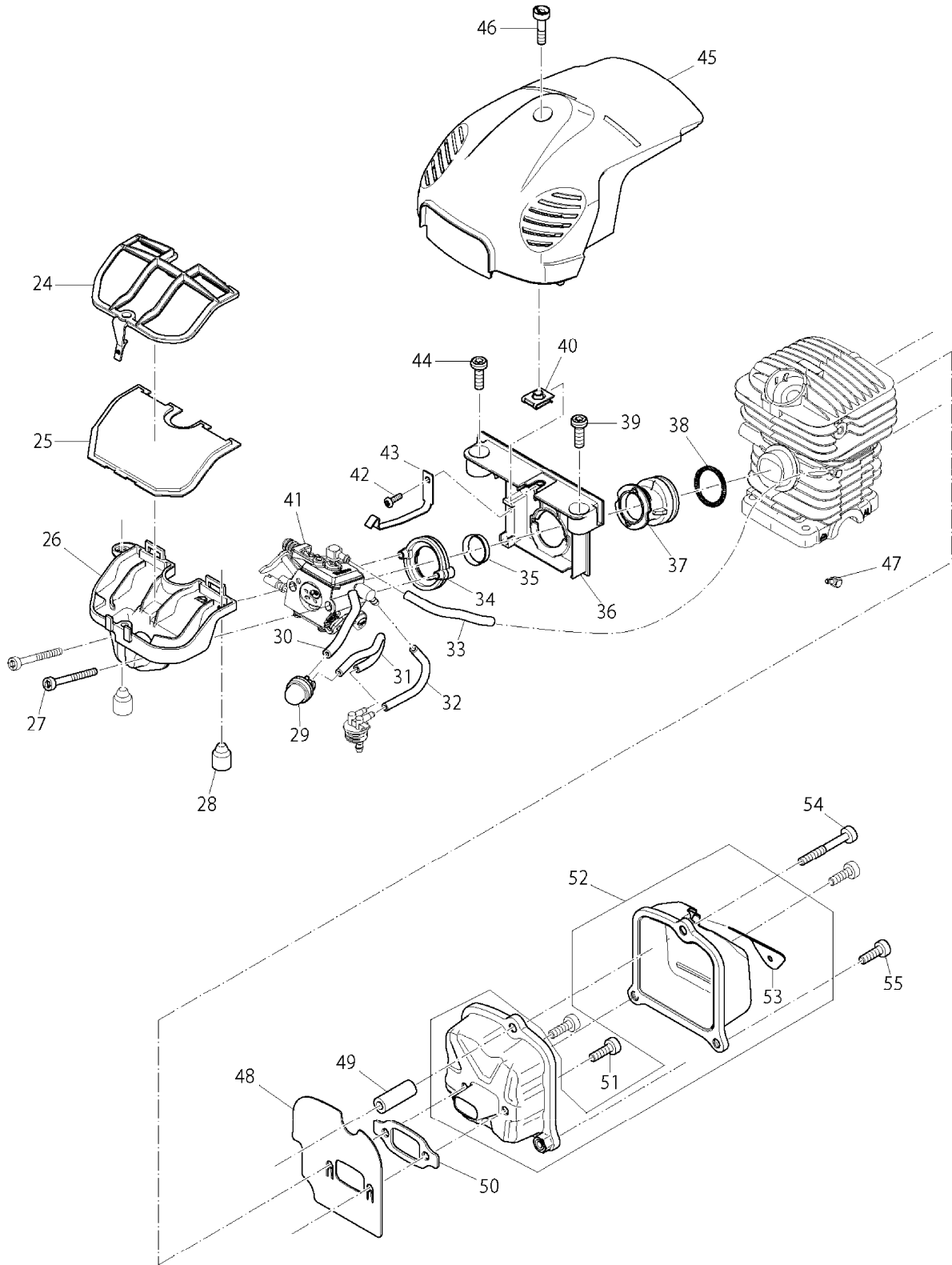
SERVICE DRAWING

MODEL NO. EA3202S



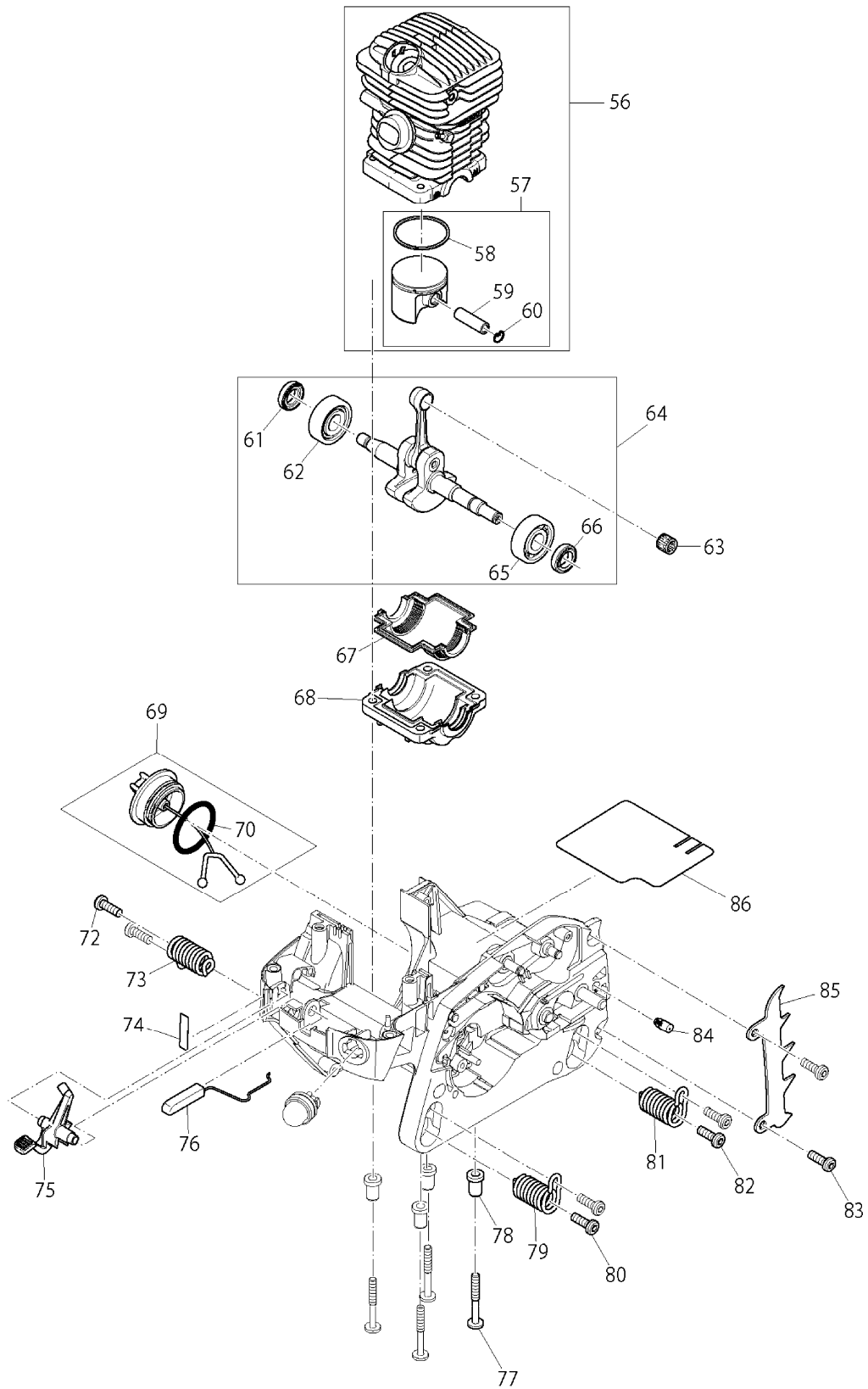
SERVICE DRAWING

MODEL NO. EA3202S



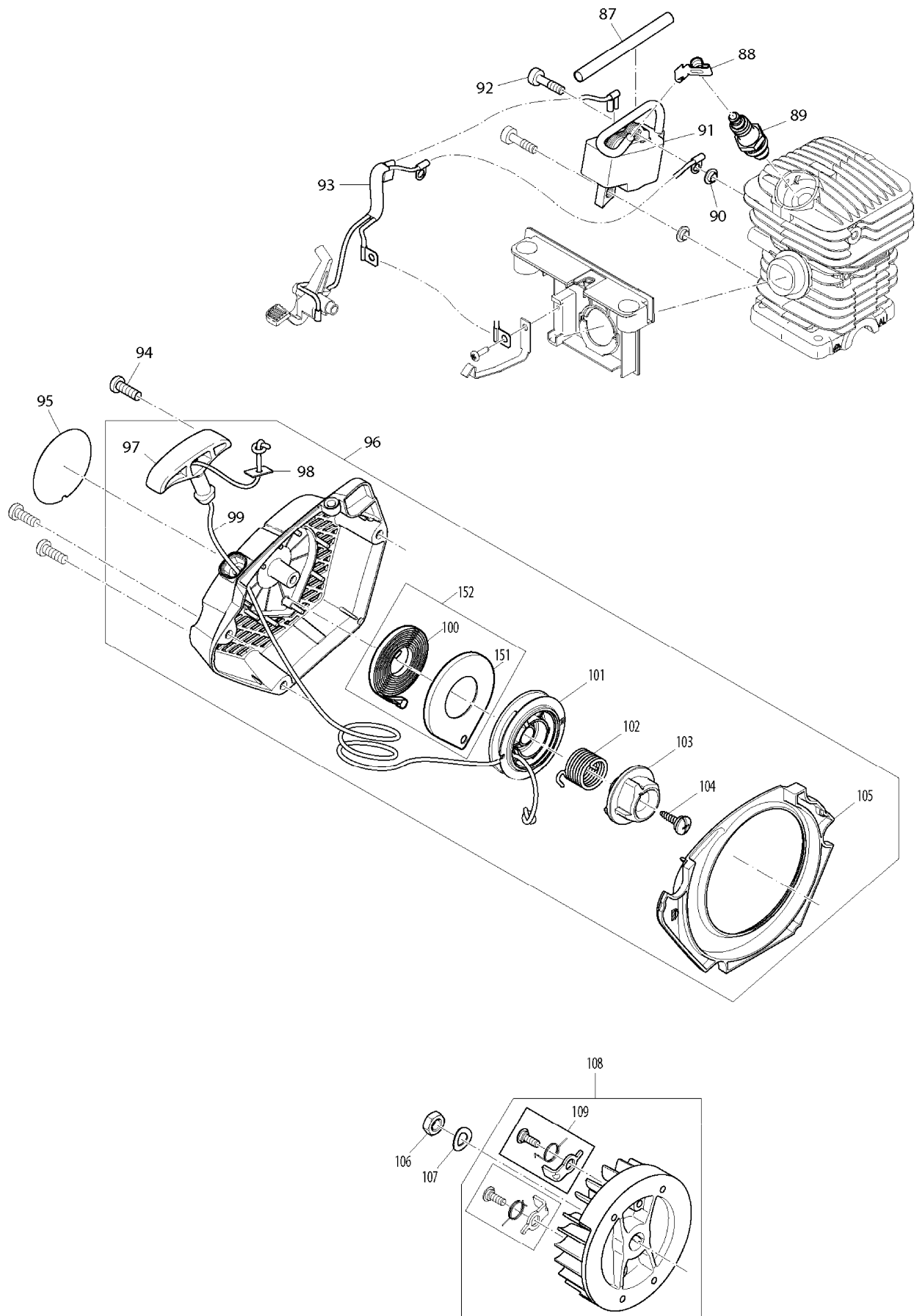
SERVICE DRAWING

MODEL NO. EA3202S



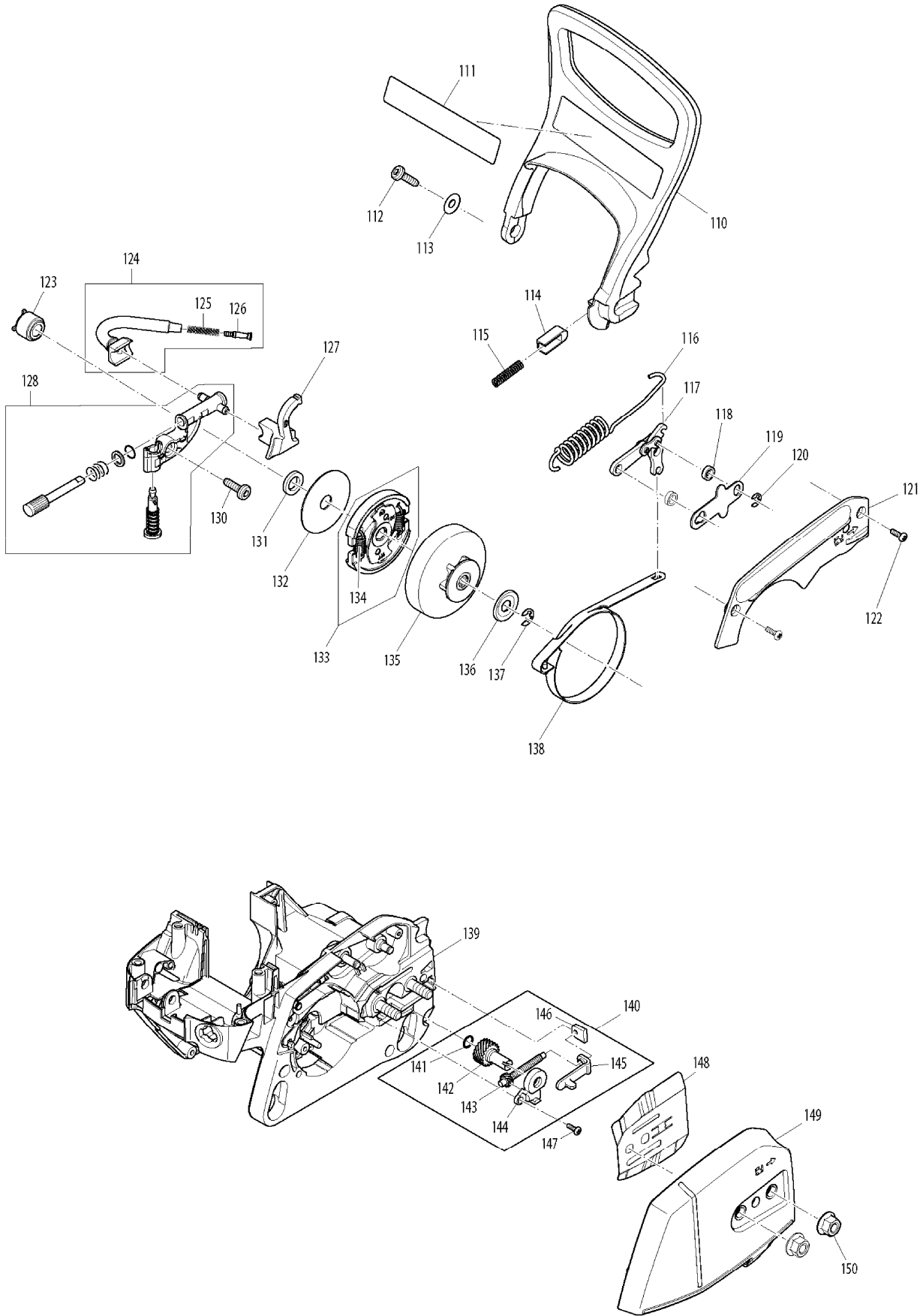
SERVICE DRAWING

MODEL NO. EA3202S



SERVICE DRAWING

MODEL NO. EA3202S



SERVICE DRAWING

MODEL NO. EA3202S

41

