

PARTS CATALOG

MITSUBISHI GENERATOR

MODEL E24SC (MGK2401-J51)

JUN., 2010

MITSUBISHI HEAVY INDUSTRIES, LTD.

INDEX

Page No.	No.	Parts No.	Page No.	No.	Parts No.
1	1	LB151B08020	8	3	KY12017AA002
1	2	LG34037HA	8	4	KY12017AA004
1	3	LH40073AA	8	5	KY12017AA008
2	1	LE90069AA	8	6	KY12017AA009
2	2	LE41009AA	8	7	KY12017AA010
2	3	LE42030AA	8	8	KY12017AA011
3	1	LW56315AA	8	9	KY12017AA013
3	2	LW52355CB	8	10	KY12017AA016
3	3	LW56113BA	8	11	KY12017AA021
3	4	LF90139AA130	8	12	KY12017AA022
3	5	LF90264AA	9	13	KY12017AA031
4	1	LN12004DA	9	14	KY12017AA032
4	2	LN13001AA	9	15	KY12017AA033
5	1	LW39081DA	9	16	KY12017AA050
5	2	LC66015AA	9	17	KY12017AA051
5	3	LW33007AA	9	18	KY12017AA101
5	4	LW31015AA	9	19	KY12017AA201
5	5	LW34029AA	9	20	KY12017AA202
5	6	LW34029AA	9	21	KY12017AA203
5	7	LM70040AA	9	22	KY12017AA301
5	8	LM70041AA	9	23	KYSCRM080004
6	1	KY90130AA	9	24	KYG041308
6	2	KYG92729	10	25	KW55094DA
6	3	KYG052918	11	1	LB44013CA
6	4	KYG034308	11	2	LG01008BA
6	5	KYG041901	11	3	LG14005AA
6	6	KYG041508	11	4	LG22022AA
6	7	KYG052113	11	5	LL22003AA
6	8	KYRD00146	11	6	LW25011AA
6	9	KYG041508	11	7	LW11024AA
6	10	KYG041308	11	8	LW200H06
6	11	KYG041901	11	9	LW39070AA
6	12	KYG022010	12	1	LC02056AA
7	13	KYG022013	12	2	LV24011AA
7	14	KYG034308	12	3	LV34005AA
7	15	KYG041901	12	4	LV43007AA
7	16	KYG032308	12	5	LV55009AA
7	17	KY7WOZ08	12	6	LV55008AA
7	18	KW56328AA	12	7	LV64004AA
7	19	KW56329AA	12	8	LV71010AA
7	20	KW55094AA	12	9	LV02004BA
7	21	KW55094BA	12	10	LV72016AA
7	22	KW55094CA	12	11	LV72017AA
7	23	KW55094EA	12	12	LU23013AA
8	1	KY12017AA	13	13	LV73005AA
8	2	KY12017AA001	13	14	LV75009BA

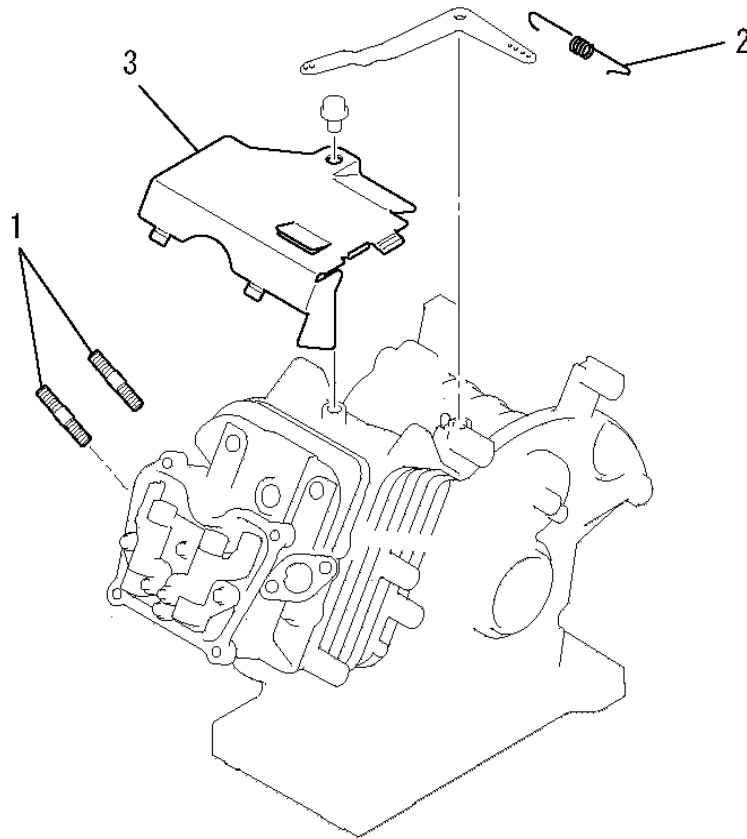
INDEX

Page No.	No.	Parts No.	Page No.	No.	Parts No.
13	15	LFR34111	19	3	LA30024BA
13	16	LV74005AA	19	4	LA40074AA
13	17	LV90016AA	19	5	LA90122AA
13	18	LW21023AA	19	6	LL41005BA
13	19	LB800A06016	19	7	LB151B06075
13	20	LB800B08055	19	8	LA90124AA
13	21	LU44001AA	19	9	LN801A06
13	22	LC66015AA	19	10	LW34029AA
14	1	LC09014AA	20	1	LK13039EB
14	2	LB800A06012	20	2	LK15016AA003
14	3	LW33007AA	20	3	LK13018AA003
15	1	LB64013FA	20	4	LK13018AA004
15	2	LL21016BA	20	5	LK15016AA005
15	3	LW23003AA	20	6	LK74508BA450
15	4	LW11019AA	20	7	LK13018AA026
15	5	LW25010AA	20	8	LK13025AA010
15	6	LB800B08030	20	9	LK12008AE110
15	7	LU44001AA	20	10	LK12008AE012
15	8	LW31015AA	20	11	LK12008AE011
16	1	LD02063CA	20	12	LK13039AB014
16	2	LD63049AA	21	13	LK13023DB031
16	3	LW430B05X016	21	14	LK12008AE016
16	4	LD63046AA	21	15	LK13018AA014
16	5	LW430B05X016	21	16	LK13023DB015
16	6	LV01201AA	21	17	LK13023DB028
17	1	LD03031AA	21	18	LK13018AB001
17	1	LD03031BA	21	19	LK12008AE026
17	1	LD03031CA	21	20	LK13018AA017
17	2	LB800B06030	21	21	LK12015DX017
17	3	LP16007AA	21	22	LK12008AE018
17	3	LP16007BA	21	23	LK12008AE019
17	3	LP16007CA	21	24	LK12008AE020
17	4	LP55001BA	22	25	LK12008AE021
17	5	LP02016AA	22	26	LK12008AE013
17	5	LP02016BA	22	27	LK74524BA012
17	5	LP02016CA	22	28	LK74525CA750
17	6	LP90003AA	22	29	LK33005AA
18	1	LE12038AA	22	30	LW34029AA
18	2	LE24020AA	23	1	LG03031AA
18	3	LE90073BA	23	2	LG22018AA
18	4	LE90202AA	23	3	LG31030AA
18	5	LU70007AA	23	4	LG41023AA
18	6	LB800A06020	23	5	LG42024AA
18	7	LFR41231	23	6	LG90015AA
19	1	LA11022AA	23	7	LG90016AA
19	2	LA20070AA	23	8	LU70006AA

INDEX

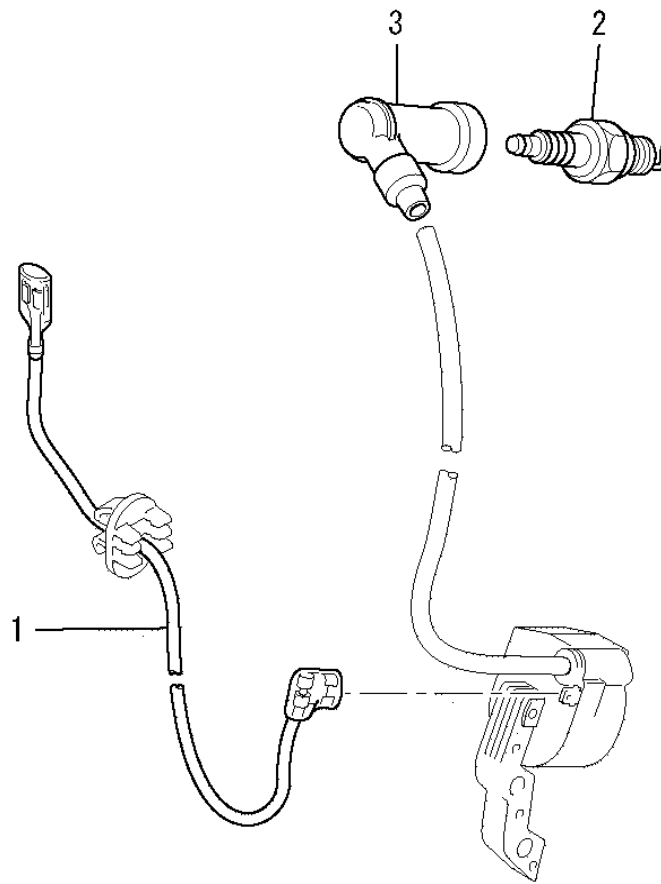
Page No.	No.	Parts No.	Page No.	No.	Parts No
23	9	LB800A06012			
23	10	LFR42734			
23	11	LB800A06008K			
24	1	LH27029AH			
24	2	LH40067CA			
24	3	LH90054AA			
24	4	LH90055BA			
24	5	LB800A06012			
25	1	LF04139CD			
25	2	LF05028CB			
25	3	LF40003DA			
25	4	LB800A06025			
25	5	LB800A06030			
25	6	LU70021AA			
26	1	LF31034AA			
26	2	LF40012AA			
26	3	LU70022AA			
26	4	LU70021BA			
26	5	LU12026AA			
27	1	LS02095AA			
27	2	LS30040CA			
27	3	LB800A06016K			
28	1	LM02140AA			
28	2	LM30022AA			
28	3	LN801A06			
28	4	LZZ70028C			
28	5	LM70040AA			
28	6	LM70041AA			
29	1	LE80033AA			
29	2	LE90190AA			
29	3	LE90191AA			
30	1	LFR64917			
30	2	LE09041AA			
30	3	LE34011AA			
30	4	LE90013BA			
30	5	LB800A06012			
30	6	LU12051AA			
31	1	LR40031DA			
31	2	LU12025AA			

1. BOLT, SPRING, COVER



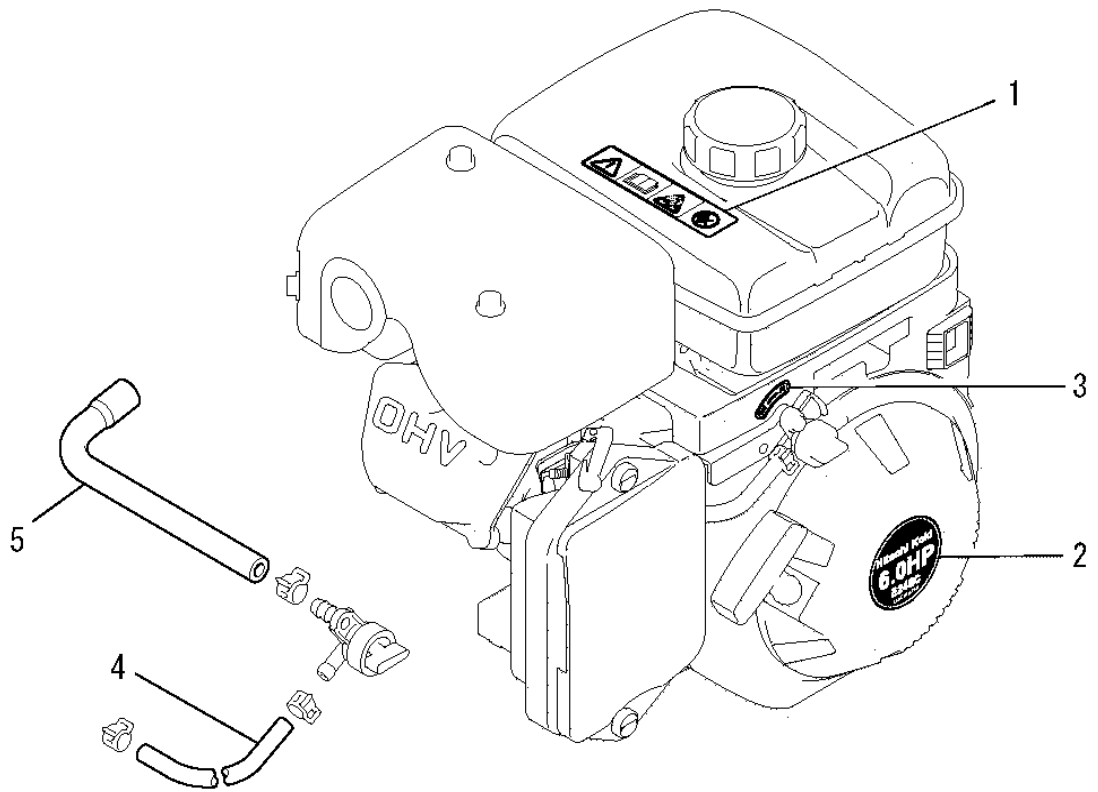
No.	R/N	Parts No.	Parts Name	No. Req'd	Inte	Remarks	Serial No. (From~To)
1		LB151B08020	BOLT, STUD	2			
2		LG34037HA	SPRING, GOV	1			
3		LH40073AA	COVER, TOP	1			

2. LEAD WIRE, PLUG, CAP



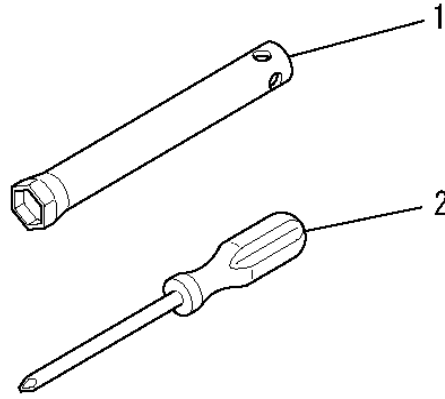
No.	R/N	Parts No.	Parts Name	No. Req'd	Inte	Remarks	Serial No. (From~To)
1		LE90069AA	WIRE, LEAD	1			
2		LE41009AA	PLUG, SPARK	1			
3		LE42030AA	CAP, PLUG	1			

3. LABEL, FUEL HOSE



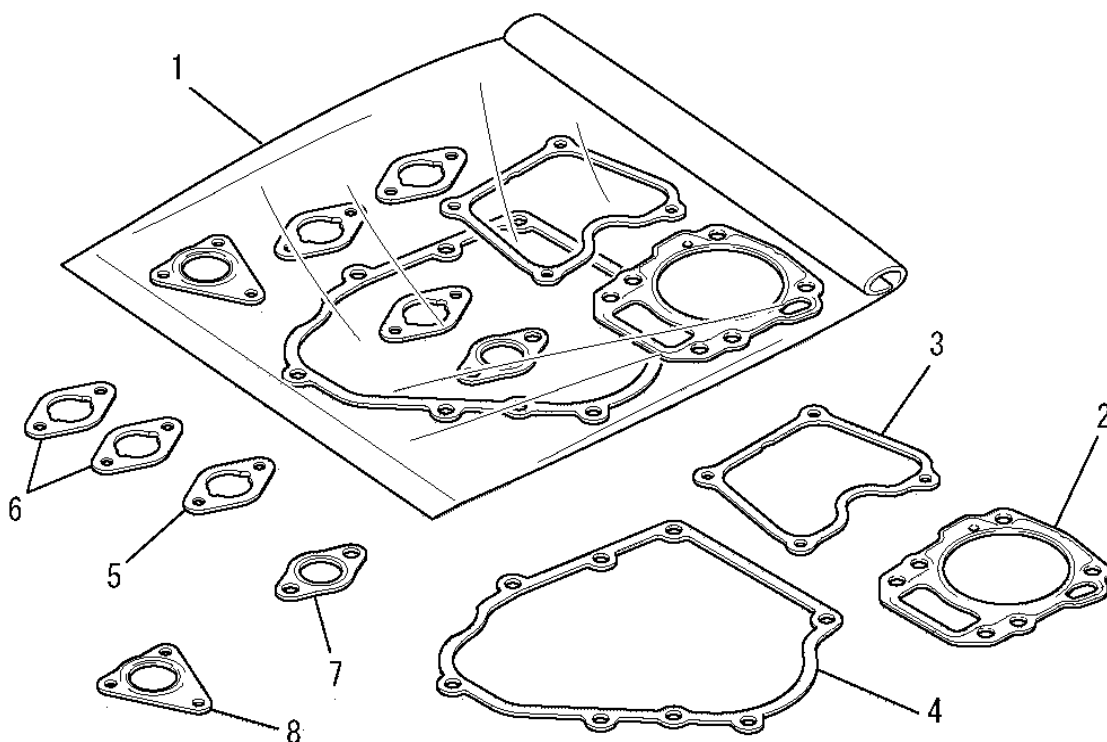
No.	R/N	Parts No.	Parts Name	No. Req'd	Inte	Remarks	Serial No. (From~To)
1		LW56315AA	LABEL, CAUTION	1			
2		LW52355CB	LABEL, NAME	1			
3		LW56113BA	LABEL	1			
4		LF90139AA130	HOSE, FUEL	1			
5		LF90264AA	HOSE, FUEL	1			

4. TOOL SET



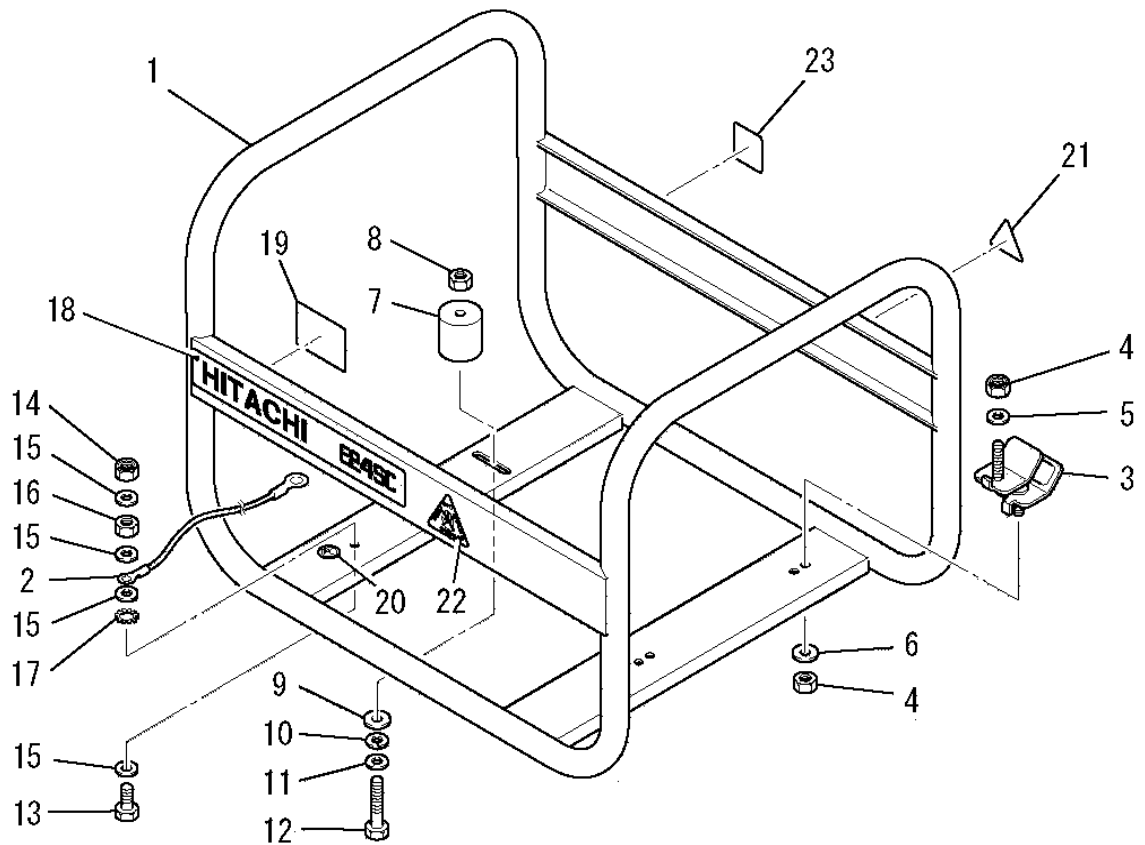
No.	R/N	Parts No.	Parts Name	No. Req'd	Inte	Remarks	Serial No. (From~To)
1		LN12004DA	SPANNER, BOX	1			
2		LN13001AA	DRIVER, SCREW	1			

5. GASKET SET



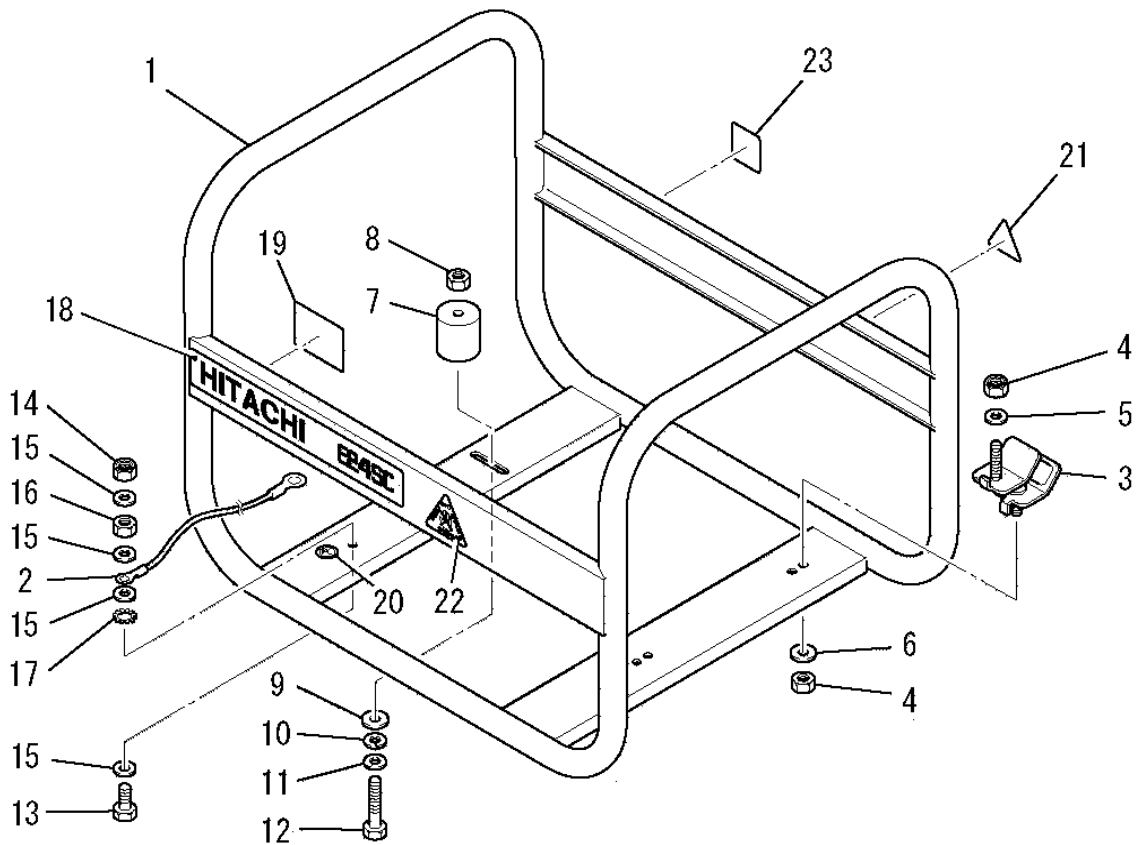
No.	R/N	Parts No.	Parts Name	No. Req'd	Inte	Remarks	Serial No. (From~To)
1		LW39081DA	GASKET SET	1		INCL. NO. 2-8	
2		LC66015AA	GASKET, HEAD	1			
3		LW33007AA	GASKET, HEAD COVER	1			
4		LW31015AA	GASKET, CRANKCASE	1			
5		LW34029AA	GASKET, CARBURETOR	1			
6		LW34029AA	GASKET, CARBURETOR	2			
7		LM70040AA	GASKET, MUFFLER	1			
8		LM70041AA	GASKET, MUFFLER	1			

6. FRAME & TANK



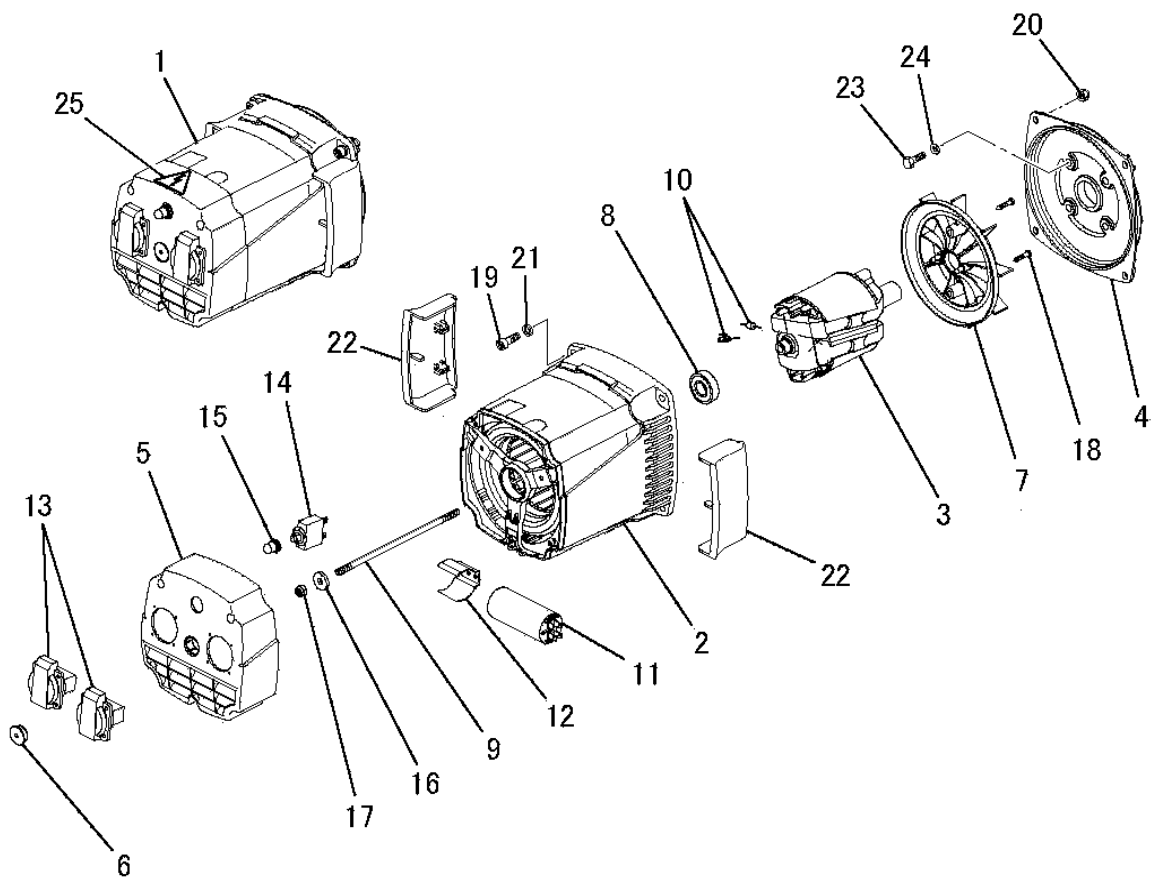
No.	R/N	Parts No.	Parts Name	No. Req'd	Inte	Remarks	Serial No. (From~To)
1		KY90130AA	MG FRAME	1			
2		KYG92729	MG WIRE, LEAD	1			
3		KYG052918	MG RUBBER CUSHION, E	2			
4		KYG034308	MG NUT, LOCK	4			
5		KYG041901	MG WASHER, S	2			
6		KYG041508	MG WASHER, L	2			
7		KYG052113	MG RUBBER CUSHION, A	1			
8		KYRD00146	MG NUT	1			
9		KYG041508	MG WASHER, L	1			
10		KYG041308	MG WASER, SPG	1			
11		KYG041901	MG WASHER, S	1			
12		KYG022010	MG BOLT	1			

6. FRAME & TANK



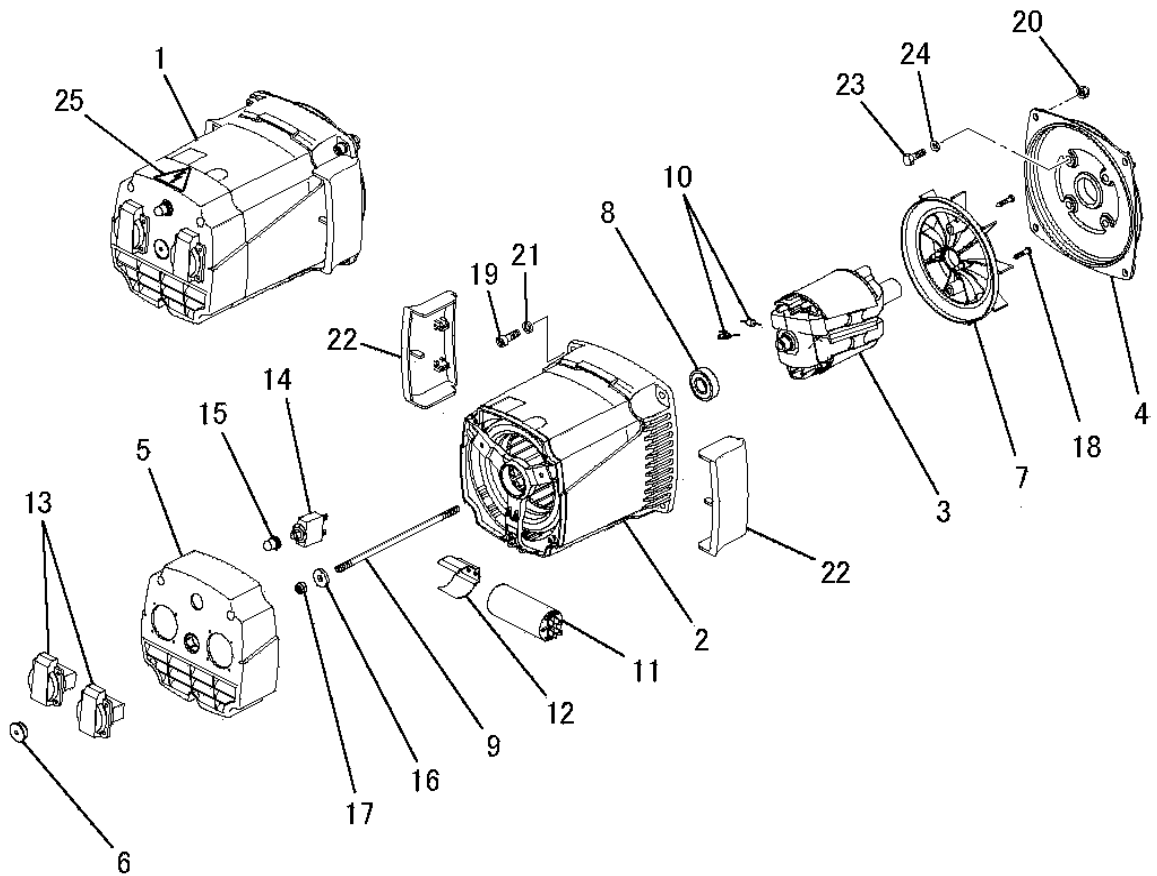
No.	R/N	Parts No.	Parts Name	No. Req'd	Inte	Remarks	Serial No. (From~To)
13		KYG022013	MG BOLT	1			
14		KYG034308	MG NUT, LOCK	1			
15		KYG041901	MG WASHER, S	4			
16		KYG032308	MG NUT, J	1			
17		KY7WOZ08	MG WASHER, TH-B	1			
18		KW56328AA	LABEL, NAME	1			
19		KW56329AA	LABEL	1			
20		KW55094AA	LABEL, CAUTION	1			
21		KW55094BA	LABEL, CAUTION	1			
22		KW55094CA	LABEL, CAUTION	1			
23		KW55094EA	LABEL, CAUTION	1			

7. GRNERATOR



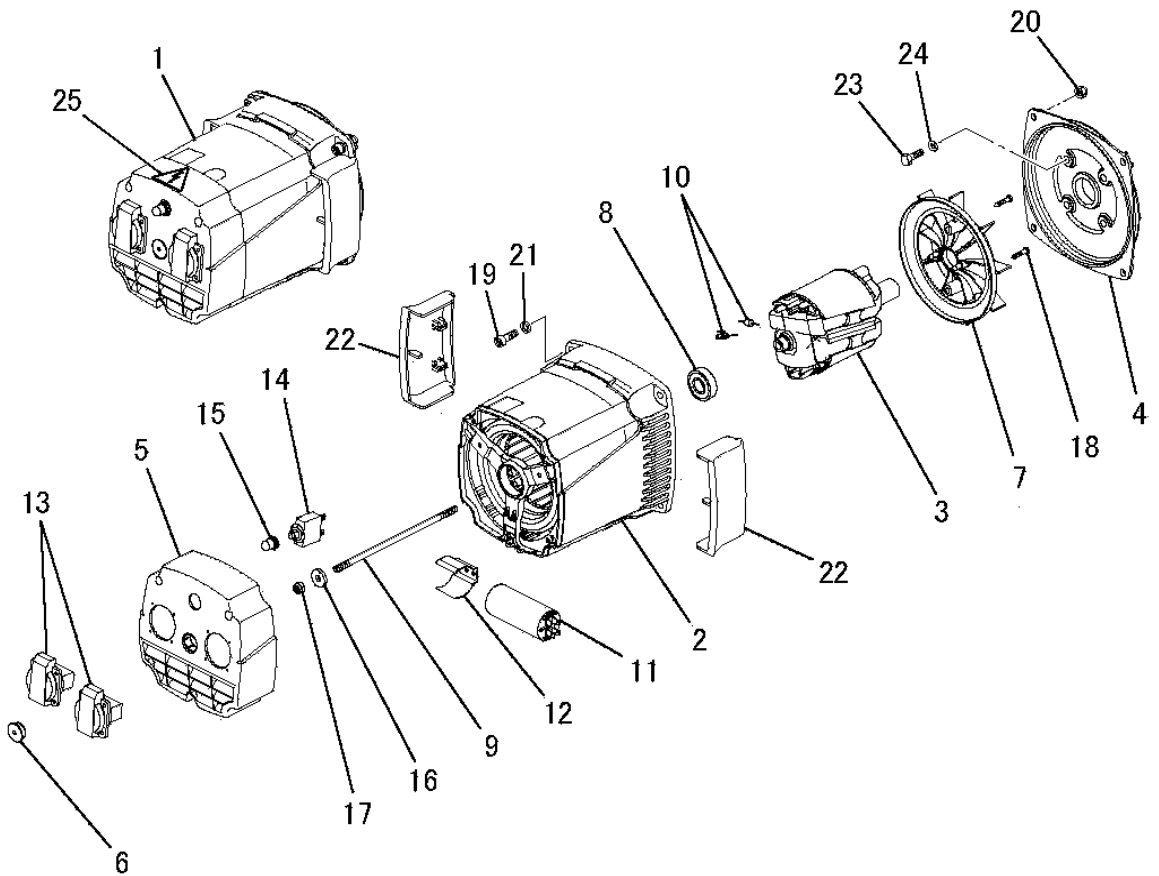
No.	R/N	Parts No.	Parts Name	No. Req'd	Inte	Remarks	Serial No. (From~To)
1		KY12017AA	ALTERNATOR	1		INCL. NO. 2-22	
2		KY12017AA001	MG FRAME&STATOR	1			
3		KY12017AA002	MG ROTOR	1			
4		KY12017AA004	MG FRONT BRACKET	1			
5		KY12017AA008	MG REAR COVER	1			
6		KY12017AA009	MG REAR PLUG	1			
7		KY12017AA010	MG FAN	1			
8		KY12017AA011	MG BEARING	1			
9		KY12017AA013	MG CENTRAL TIE ROD	1			
10		KY12017AA016	MG DIODE&VARISTOR	1			
11		KY12017AA021	MG CAPACITOR(16UF)	1			
12		KY12017AA022	MG CLAMP CAPACITOR	1			

7. GRNERATOR



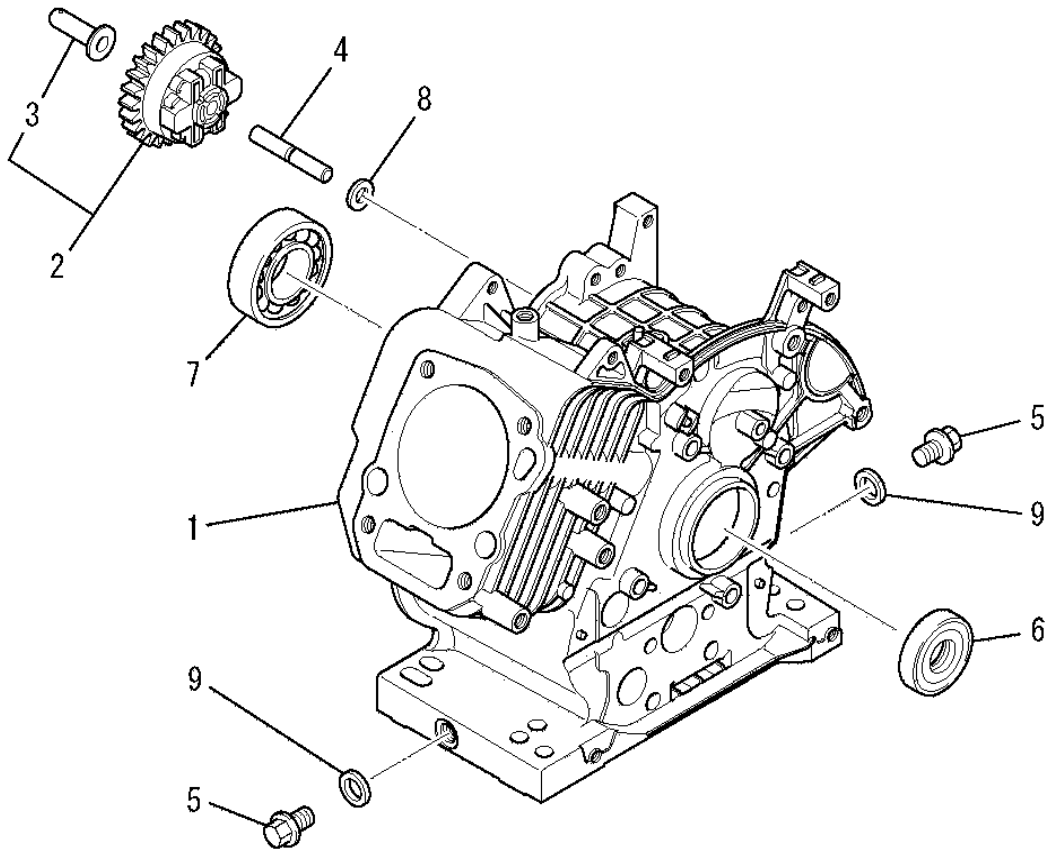
No.	R/N	Parts No.	Parts Name	No. Req'd	Inte	Remarks	Serial No. (From~To)
13		KY12017AA031	MG SOCKET, SCHUKO	2			
14		KY12017AA032	MG BREARKER (10A)	1			
15		KY12017AA033	MG WATER PROTECTION	1			
16		KY12017AA050	MG WASHER, TIE ROD	1			
17		KY12017AA051	MG NUT, TIE ROD	1			
18		KY12017AA101	MG SCREW, FAN	2			
19		KY12017AA201	MG BOLT, SCH	4			
20		KY12017AA202	MG NUT	4			
21		KY12017AA203	MG WASHER, S	4			
22		KY12017AA301	MG PROTECTION, IP23	2			
23		KYSCRM080004	MG BOLT, INCH	4			
24		KYGO41308	MG WASER, SPG	4			

7. GRNERATOR



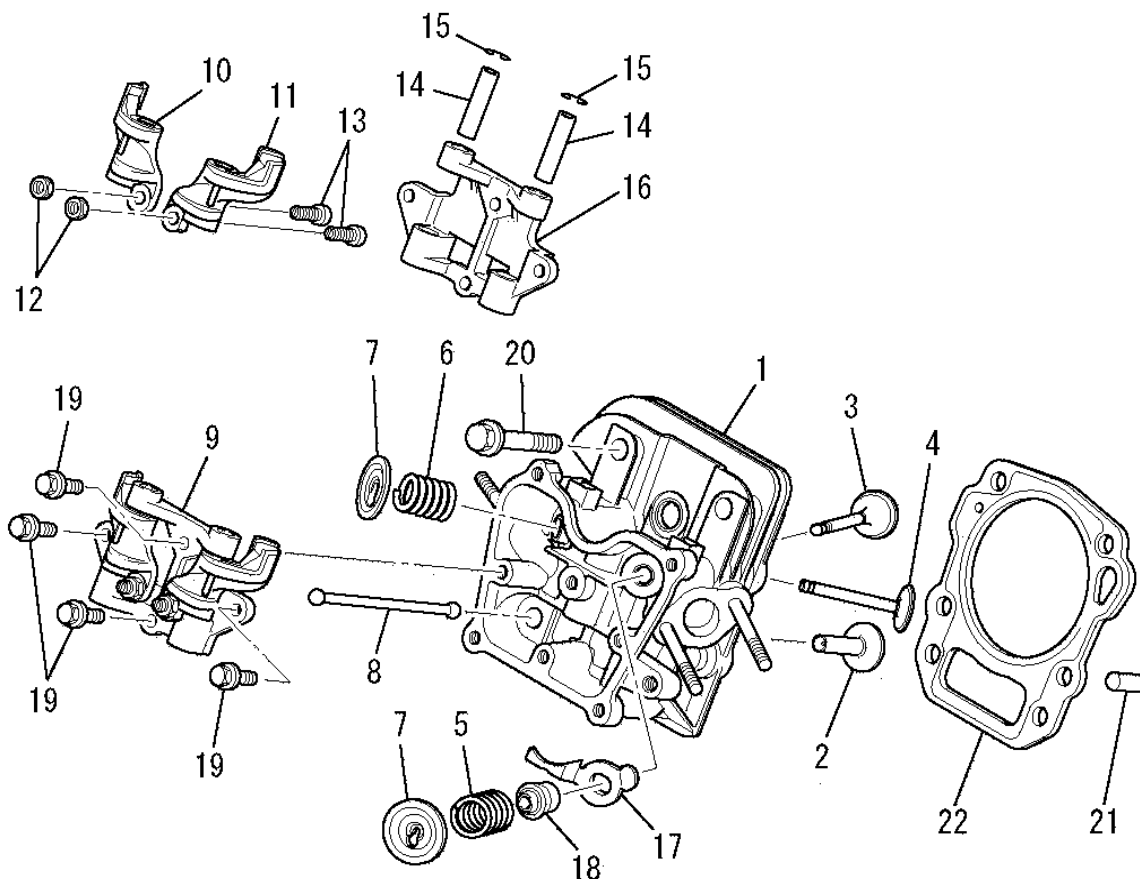
No.	R/N	Parts No.	Parts Name	No. Req'd	Inte	Remarks	Serial No. (From~To)
25		KW55094DA	LABEL, CAUTION	1			

(A) CYLINDER BLOCK GROUP



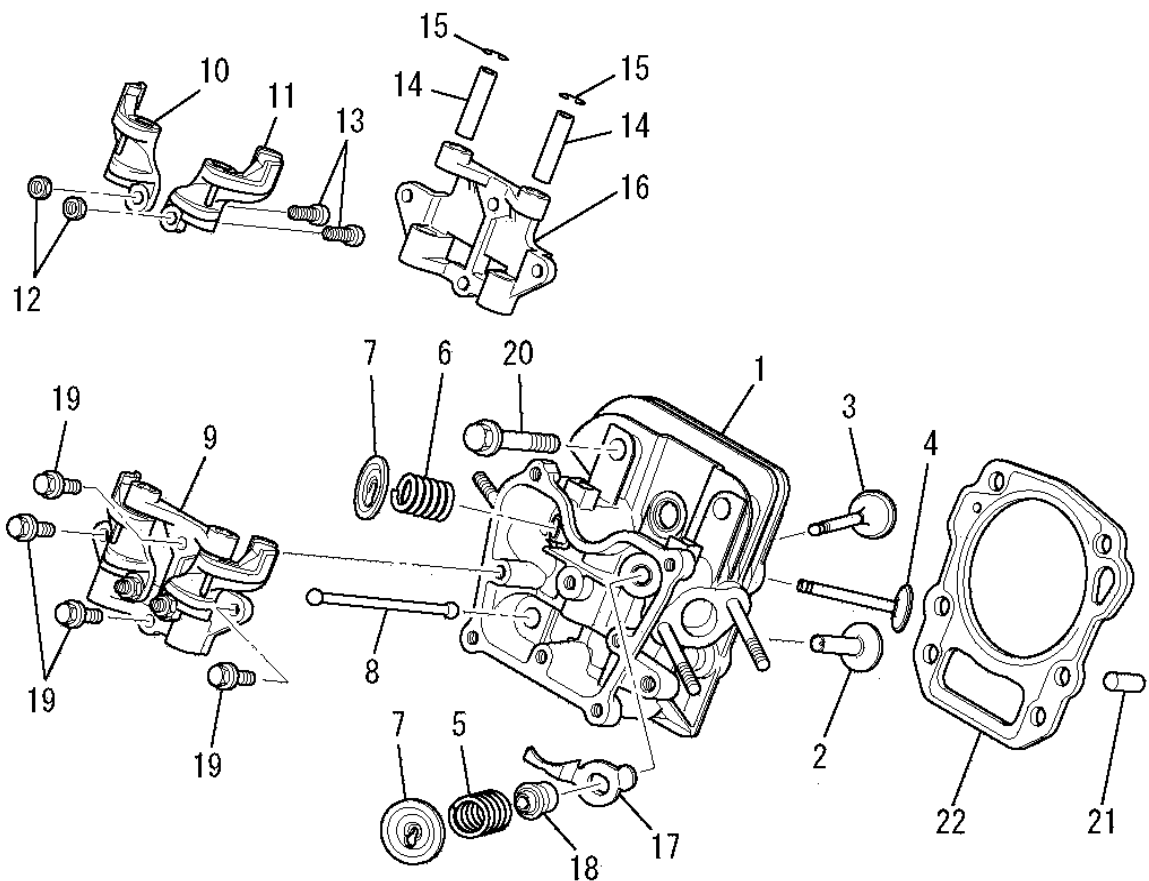
No.	R/N	Parts No.	Parts Name	No. Req'd	Inte	Remarks	Serial No. (From~To)
1		LB44013CA	CYLINDER BLOCK	1			
2		LG01008BA	GOVERNOR GEAR ASSY	1		INCL. NO. 3	
3		LG14005AA	SLIDER, GOV	1			
4		LG22022AA	SHAFT, GOV	1			
5		LL22003AA	PLUG, DRAIN	2			
6		LW25011AA	OIL SEAL	1			
7		LW11024AA	BEARING, BALL	1			
8		LW200H06	WASHER	1			
9		LW39070AA	GASKET	2			

(B) CYLINDER HEAD GROUP



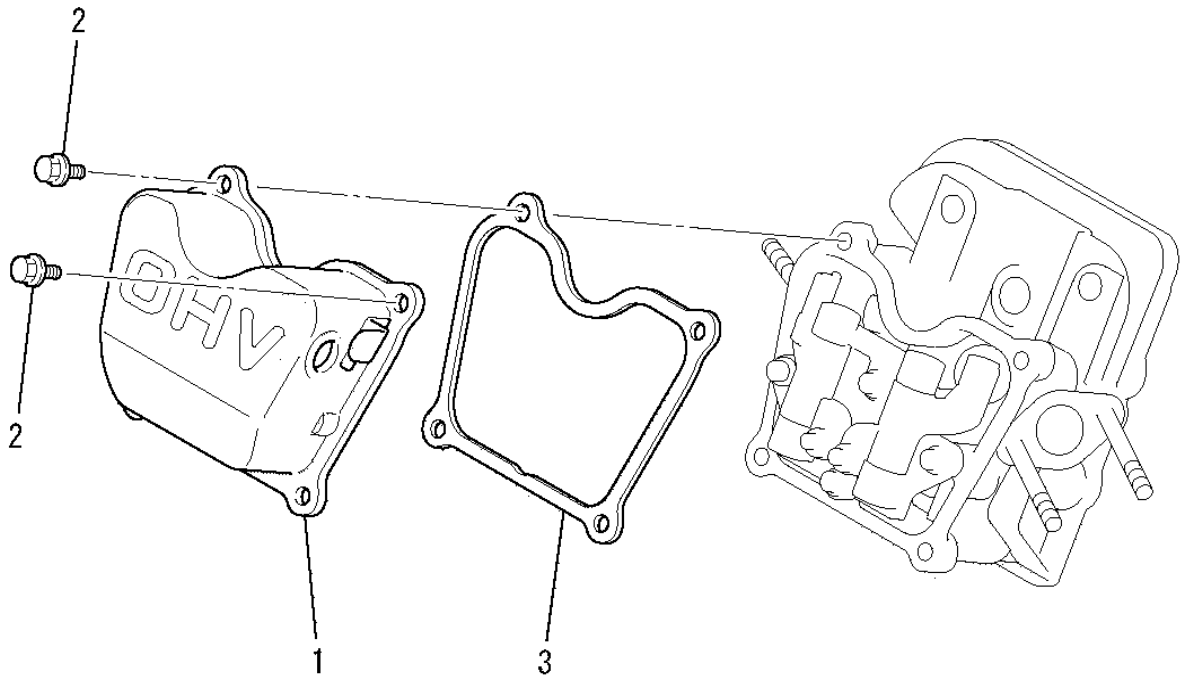
No.	R/N	Parts No.	Parts Name	No. Req'd	Inte	Remarks	Serial No. (From~To)
1		LC02056AA	CYLINDER HEAD ASSY	1		WITH LB151B06075	
2		LV24011AA	TAPPET	2			
3		LV34005AA	VALVE, INTAKE	1			
4		LV43007AA	VALVE, EXHAUST	1			
5		LV55009AA	SPRING, VALVE	1			
6		LV55008AA	SPRING, VALVE	1			
7		LV64004AA	RETAINER, VALVE SPG	2			
8		LV71010AA	ROD, PUSH	2			
9		LV02004BA	ROCKER ARM ASSY	1		INCL. NO. 10-16	
10		LV72016AA	ARM, ROCKER	1			
11		LV72017AA	ARM, ROCKER	1			
12		LU23013AA	NUT	2			

(B) CYLINDER HEAD GROUP



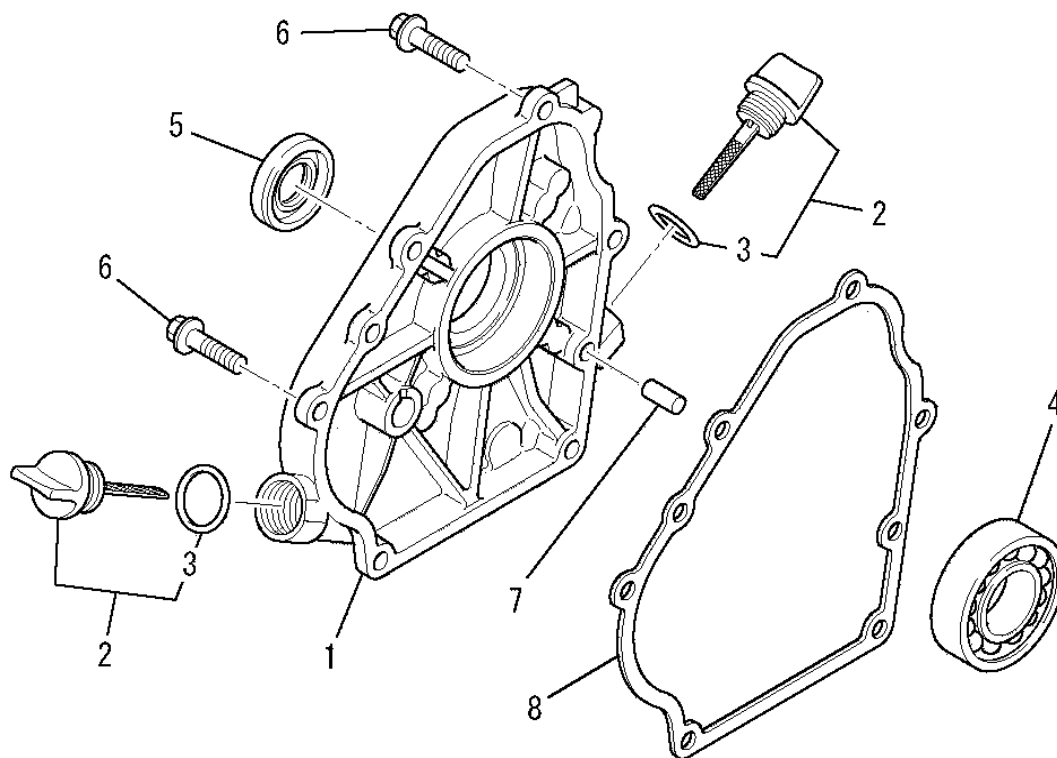
No.	R/N	Parts No.	Parts Name	No. Req'd	Inte	Remarks	Serial No. (From~To)
13		LV73005AA	SCREW, ADJUST	2			
14		LV75009BA	SHAFT	2			
15		LFR34111	CLIP, PISTON PIN	2			
16		LV74005AA	PLATE	1			
17		LV90016AA	PLATE	1			
18		LW21023AA	SEAL, VALVE STEM	1			
19		LB800A06016	BOLT, FLANGE	4			
20		LB800B08055	BOLT, FLANGE	4			
21		LU44001AA	PIN, DOWEL	2			
22		LC66015AA	GASKET, HEAD	1			

(C) HEAD COVER GROUP



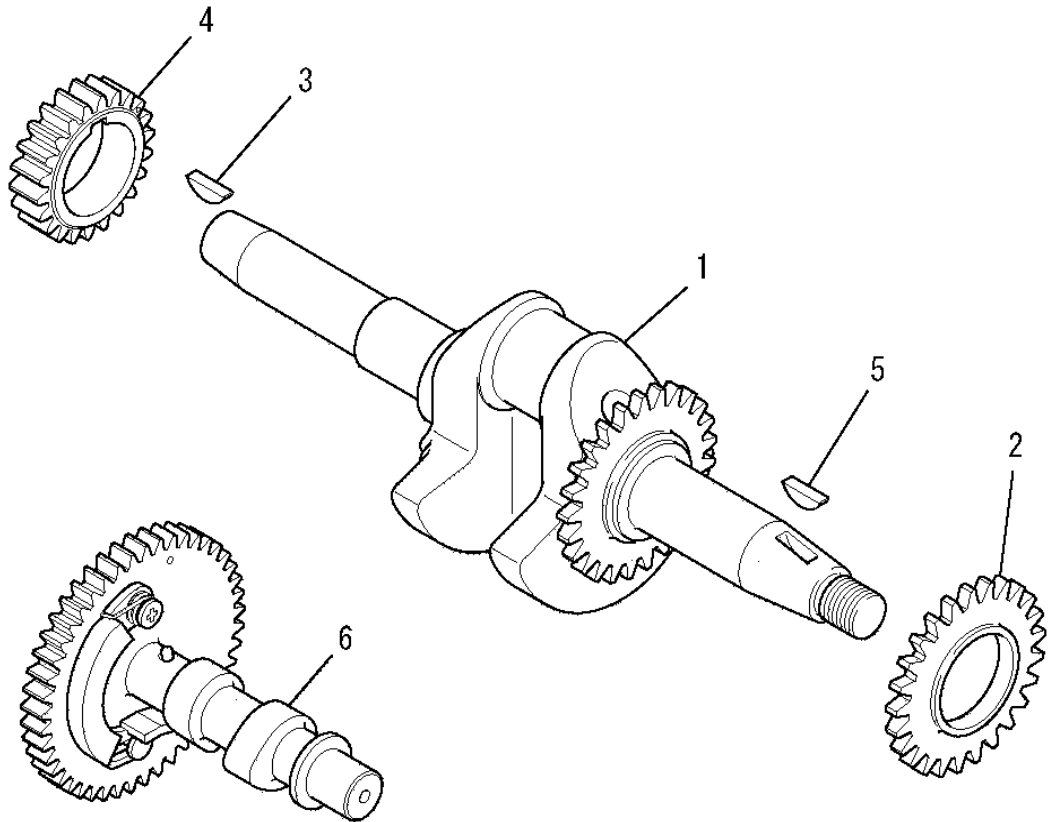
No.	R/N	Parts No.	Parts Name	No. Req'd	Inte	Remarks	Serial No. (From~To)
1		LC09014AA	COVER, HEAD	1			
2		LB800A06012	BOLT, FLANGE	4			
3		LW33007AA	GASKET, HEAD COVER	1			

(D) CASE COVER GROUP



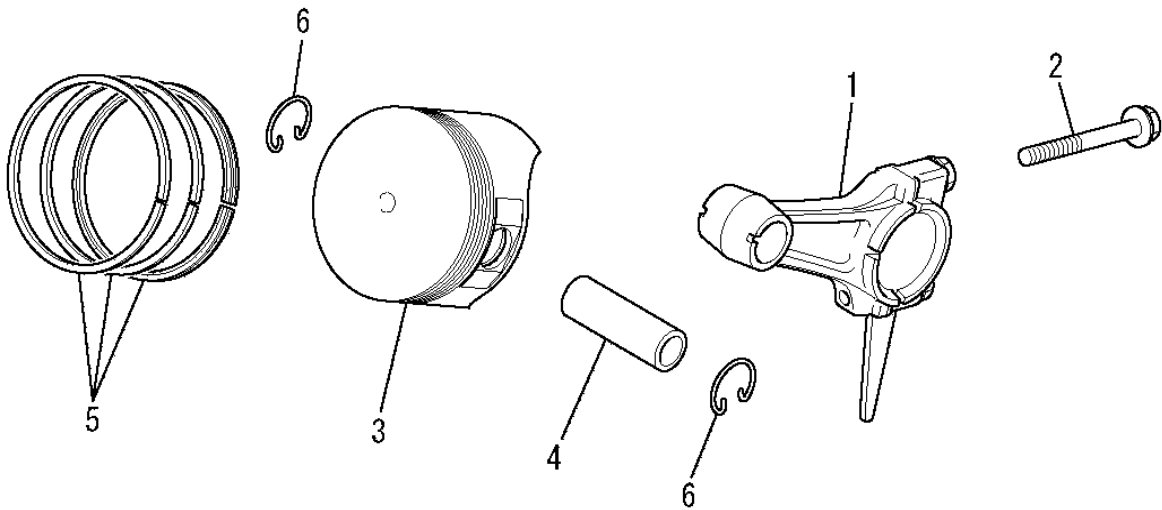
No.	R/N	Parts No.	Parts Name	No. Req'd	Inte	Remarks	Serial No. (From~To)
1		LB64013FA	COVER, CRANKCASE	1			
2		LL21016BA	GAUGE, OIL	2		INCL. NO. 3	
3		LW23003AA	O-RING	2			
4		LW11019AA	BEARING, BALL	1			
5		LW25010AA	OIL SEAL	1			
6		LB800B08030	BOLT, FLANGE	6			
7		LU44001AA	PIN, DOWEL	2			
8		LW31015AA	GASKET, CRANKCASE	1			

(E) CRANKSHAFT GROUP



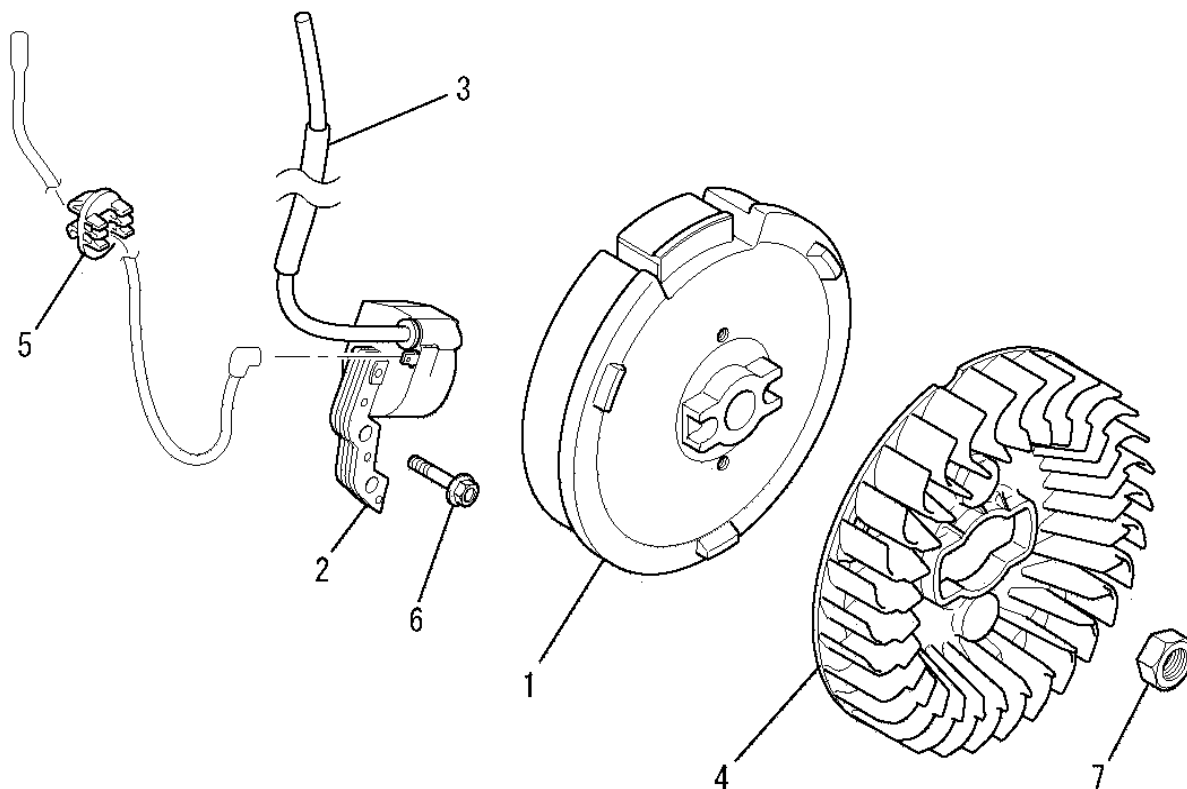
No.	R/N	Parts No.	Parts Name	No. Req'd	Inte	Remarks	Serial No. (From~To)
1		LD02063CA	CRANKSHAFT ASSY	1		INCL. NO. 2, 3	
2		LD63049AA	GEAR	1			
3		LW430B05X016	KEY, WOODRUFF	1			
4		LD63046AA	GEAR, CRANKSHAFT	1			
5		LW430B05X016	KEY, WOODRUFF	1			
6		LV01201AA	CAMSHAFT GEAR ASSY	1			

(F) PISTON & ROD GROUP



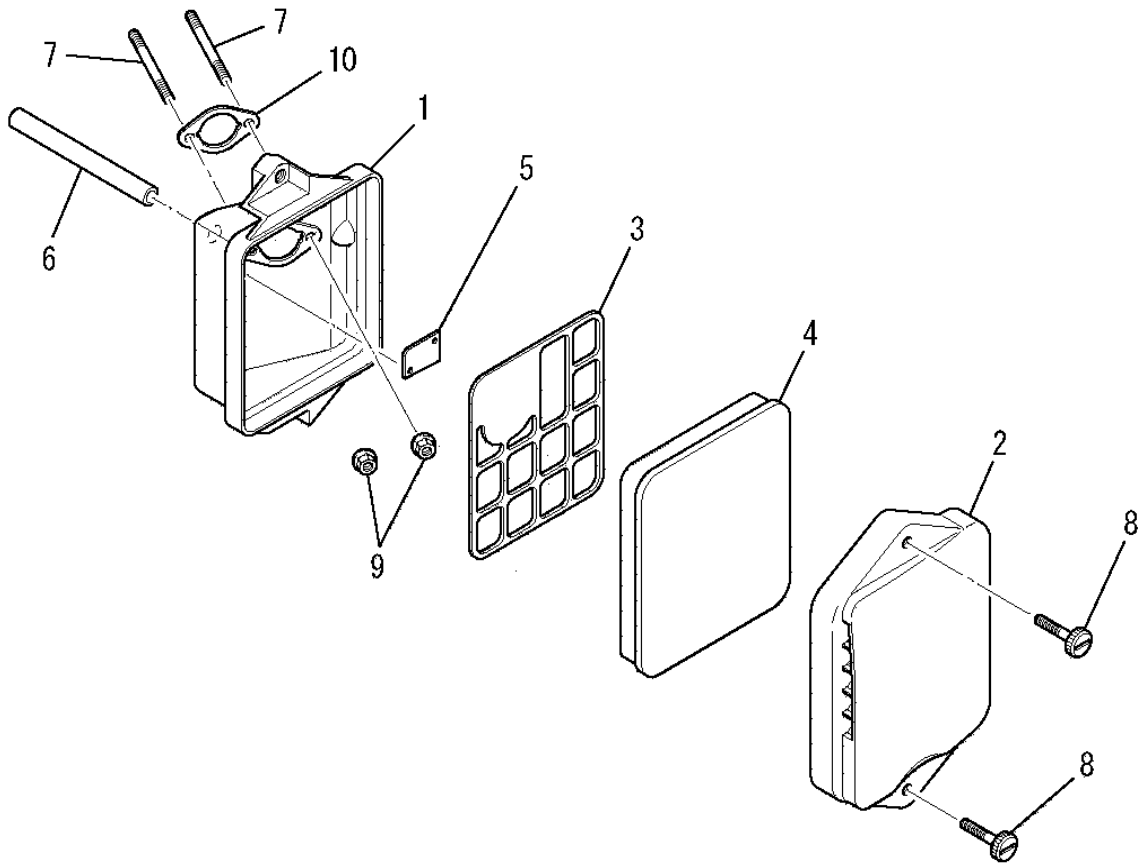
No.	R/N	Parts No.	Parts Name	No. Req'd	Inte	Remarks	Serial No. (From~To)
1		LD03031AA	CONNECTING ROD ASSY	1		STD INCL. NO. 2	
1	1	LD03031BA	CONNECTING ROD ASSY	1		US 0.25 INCL. NO. 2	
1	2	LD03031CA	CONNECTING ROD ASSY	1		US 0.50 INCL. NO. 2	
2		LB800B06030	BOLT, FLANGE	2			
3		LP16007AA	PISTON	1		STD	
3	1	LP16007BA	PISTON	1		OS 0.25	
3	2	LP16007CA	PISTON	1		OS 0.50	
4		LP55001BA	PIN, PISTON	1			
5		LP02016AA	PISTON RING SET	1		STD	
5	1	LP02016BA	PISTON RING SET	1		OS 0.25	
5	2	LP02016CA	PISTON RING SET	1		OS 0.50	
6		LP90003AA	CLIP, PISTON PIN	2			

(G) MAGNETO GROUP



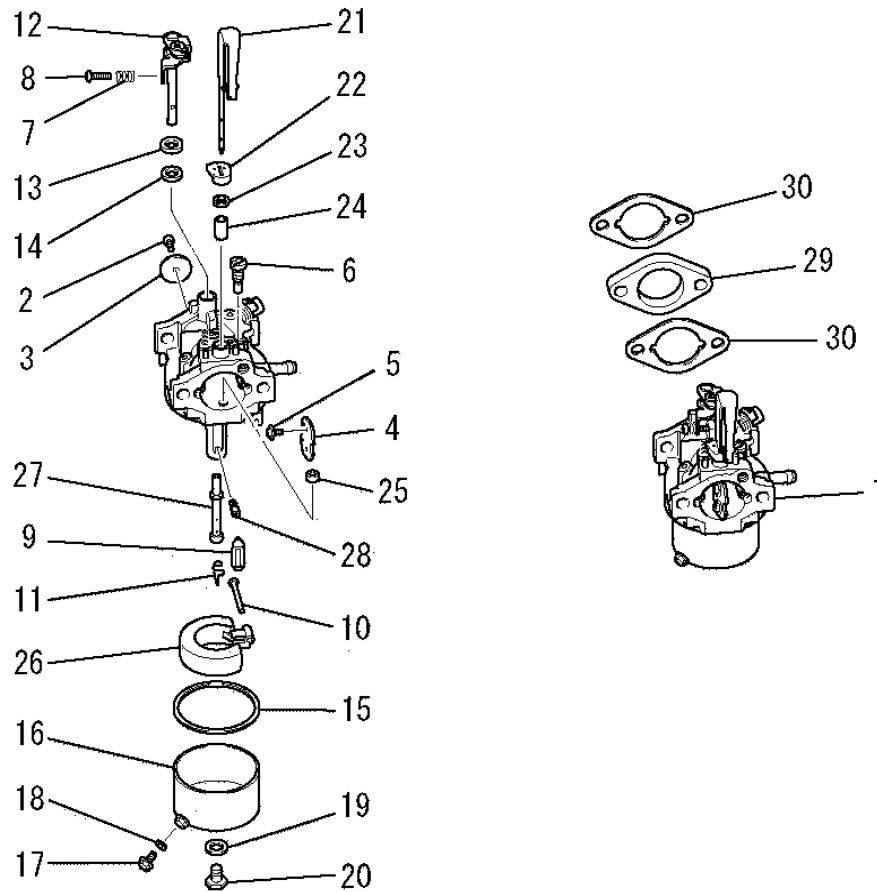
No.	R/N	Parts No.	Parts Name	No. Req'd	Inte	Remarks	Serial No. (From~To)
1		LE12038AA	FLYWHEEL	1			
2		LE24020AA	COIL, IGNITION	1			
3		LE90073BA	TUBE	1			
4		LE90202AA	FAN	1			
5		LU70007AA	CLIP	1			
6		LB800A06020	BOLT, FLANGE	2			
7		LFR41231	NUT	1			

(H) AIR CLEANER GROUP



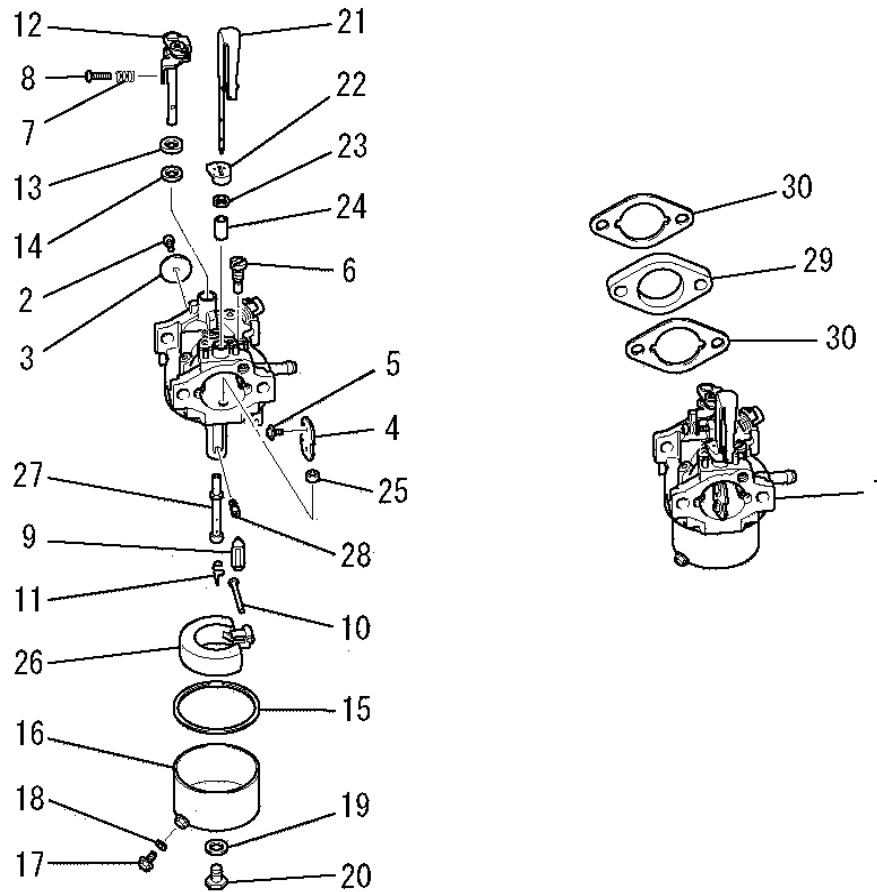
No.	R/N	Parts No.	Parts Name	No. Req'd	Inte	Remarks	Serial No. (From~To)
1		LA11022AA	CASE, CLEANER	1			
2		LA20070AA	COVER, CLEANER	1			
3		LA30024BA	GRID	1			
4		LA40074AA	ELEMENT, CLEANER	1			
5		LA90122AA	PLATE	1			
6		LL41005BA	TUBE, BREATHER	1			
7		LB151B06075	BOLT, STUD	2			
8		LA90124AA	BOLT	2			
9		LN801A06	NUT, FLANGE	2			
10		LW34029AA	GASKET, CARBURETOR	1			

(I) CARBURETOR GROUP



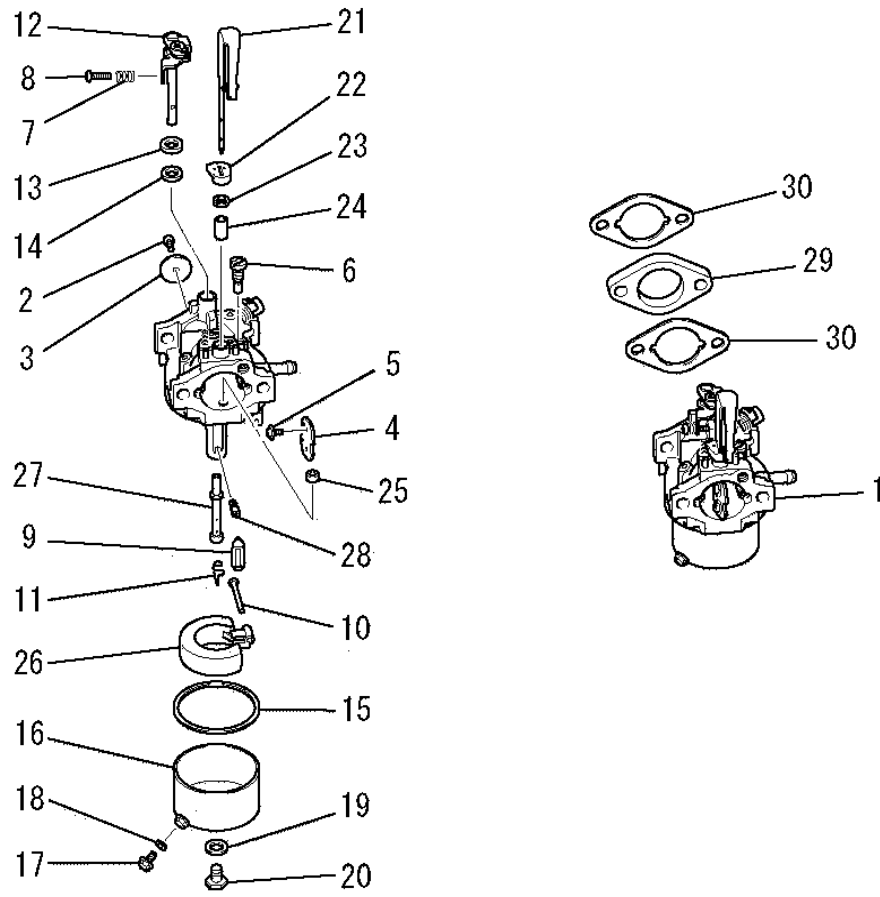
No.	R/N	Parts No.	Parts Name	No. Req'd	Inte	Remarks	Serial No. (From~To)
1		LK13039EB	CARBURETOR (F)	1		INCL. NO. 2-28	
2		LK15016AA003	SCREW	1			
3		LK13018AA003	VALVE, THROTTLE	1			
4		LK13018AA004	VALVE, CHOKE	1			
5		LK15016AA005	SCREW	2			
6		LK74508BA450	JET, PILOT	1			
7		LK13018AA026	SPRING	1			
8		LK13025AA010	SCREW	1			
9		LK12008AE110	VALVE, NEEDLE	1			
10		LK12008AE012	PIN	1			
11		LK12008AE011	CLIP	1			
12		LK13039AB014	SHAFT, THROTTLE	1			

(I) CARBURETOR GROUP



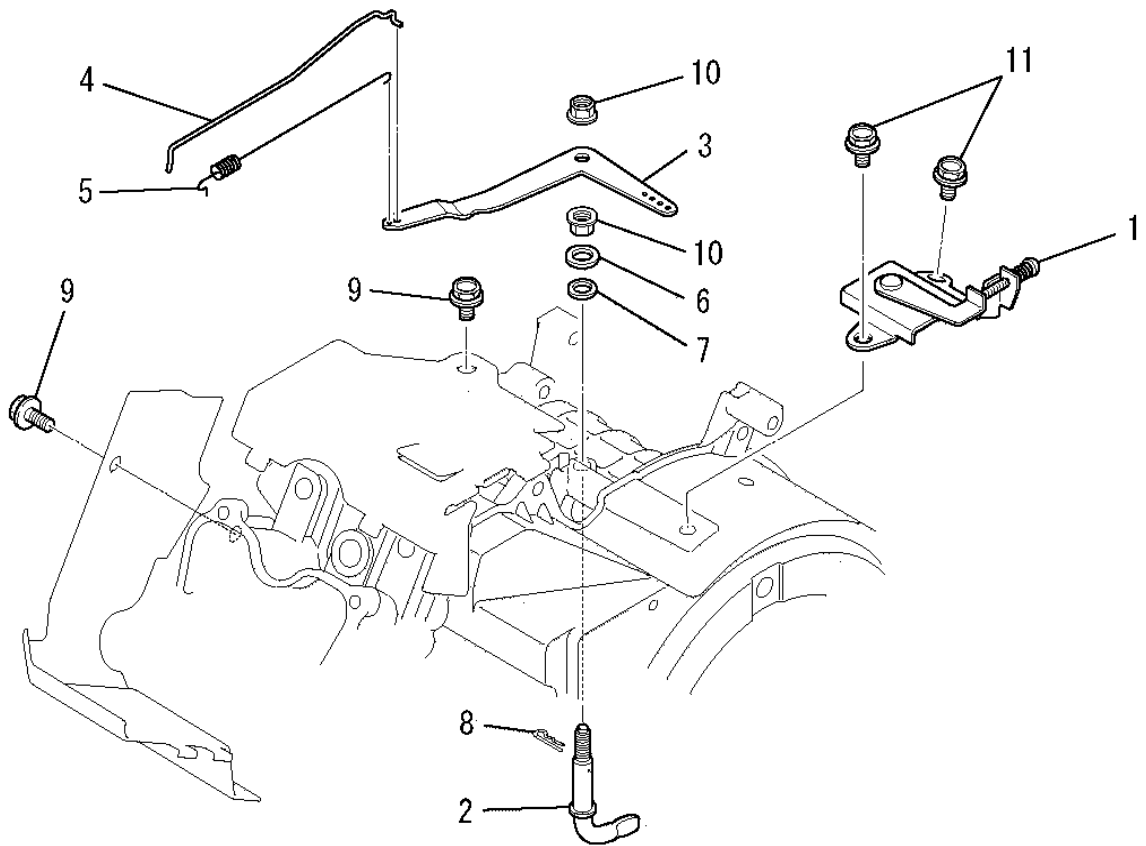
No.	R/N	Parts No.	Parts Name	No. Req'd	Inte	Remarks	Serial No. (From~To)
13		LK13023DB031	PACKING	1			
14		LK12008AE016	SEAL	1			
15		LK13018AA014	PACKING	1			
16		LK13023DB015	CHAMBER, FLOAT	1		INCL. NO. 17, 18	
17		LK13023DB028	BOLT	1			
18		LK13018AB001	PACKING	1			
19		LK12008AE026	PACKING	1			
20		LK13018AA017	BOLT	1			
21		LK12015DX017	LEVER, CHOKE	1			
22		LK12008AE018	RING	1			
23		LK12008AE019	SEAL	1			
24		LK12008AE020	RING	1			

(I) CARBURETOR GROUP



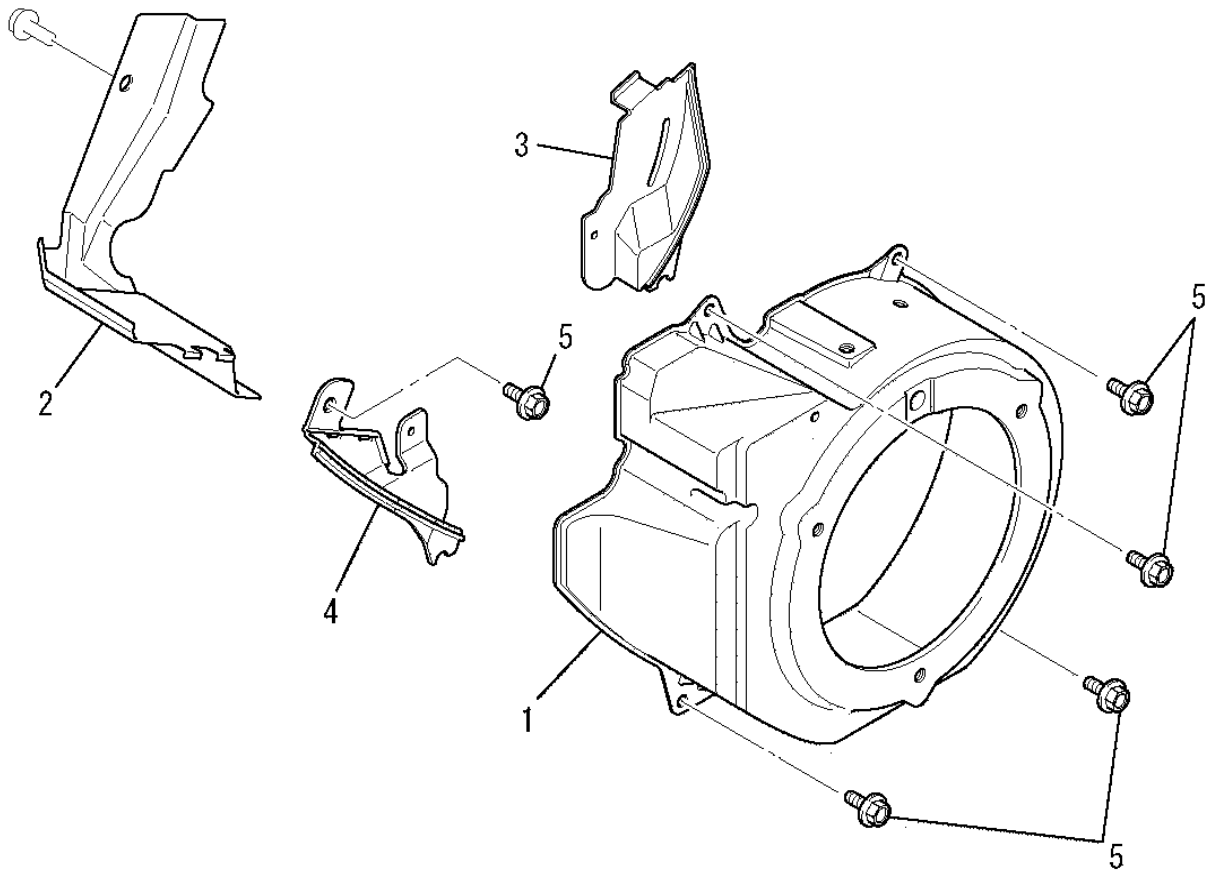
No.	R/N	Parts No.	Parts Name	No. Req'd	Inte	Remarks	Serial No. (From~To)
25		LK12008AE021	RING	1			
26		LK12008AE013	FLOAT	1			
27		LK74524BA012	NOZZLE, MAIN	1			
28		LK74525CA750	JET, MAIN	1			
29		LK33005AA	INSULATOR	1			
30		LW34029AA	GASKET, CARBURETOR	2			

(J) CONTROL PANEL GROUP



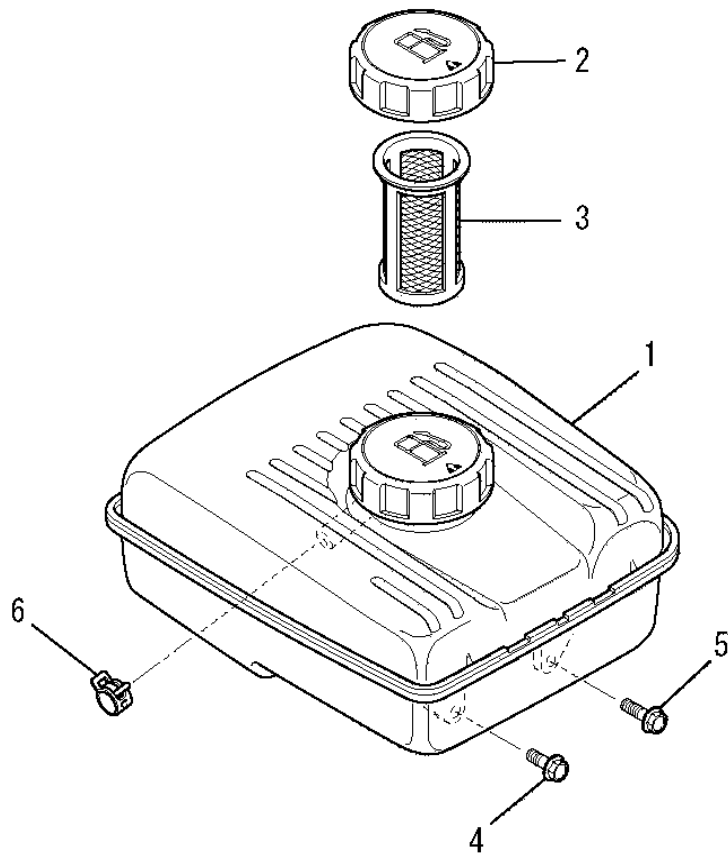
No.	R/N	Parts No.	Parts Name	No. Req'd	Inte	Remarks	Serial No. (From~To)
1		LG03031AA	PANEL, CONTROL	1			
2		LG22018AA	SHAFT, GOV	1			
3		LG31030AA	LEVER, GOV	1			
4		LG41023AA	ROD, GOV	1			
5		LG42024AA	SPRING, ROD	1			
6		LG90015AA	WASHER	1			
7		LG90016AA	SEAL, DUST	1			
8		LU70006AA	CLIP	1			
9		LB800A06012	BOLT, FLANGE	2			
10		LFR42734	NUT, FLANGE	2			
11		LB800A06008K	BOLT, FLANGE	2			

(K) FAN COVER GROUP



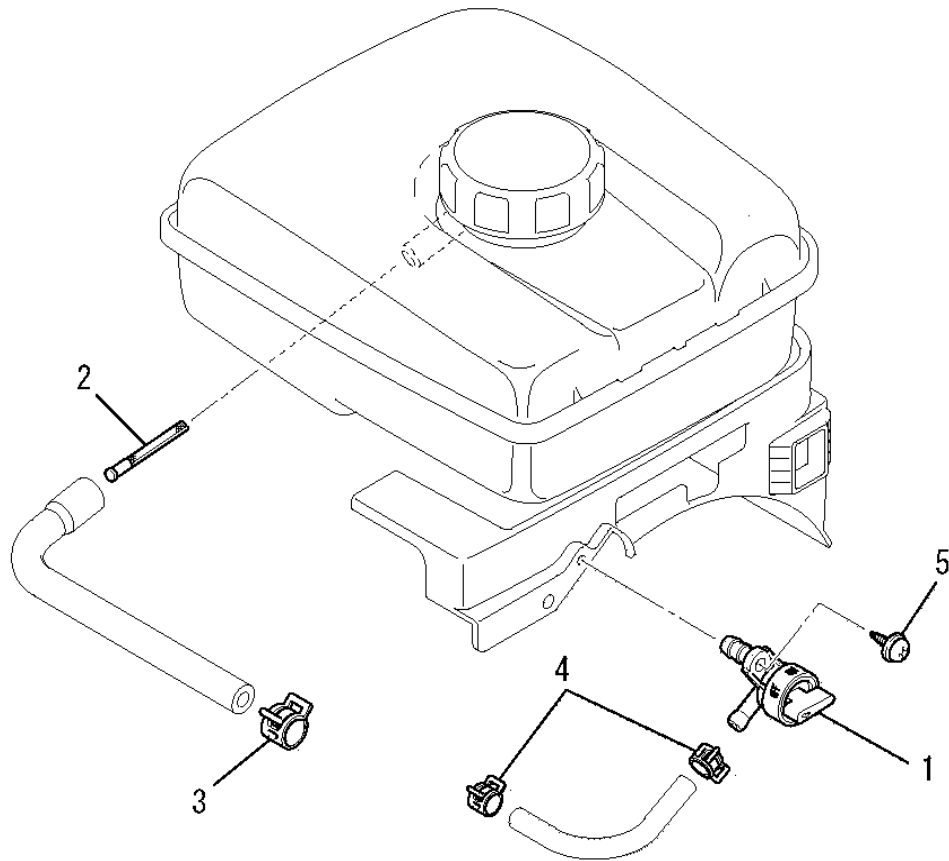
No.	R/N	Parts No.	Parts Name	No. Req'd	Inte	Remarks	Serial No. (From~To)
1		LH27029AH	COVER, FAN	1			
2		LH40067CA	COVER, CYLINDER	1			
3		LH90054AA	COVER	1			
4		LH90055BA	COVER	1			
5		LB800A06012	BOLT, FLANGE	5			

(M) TANK GROUP



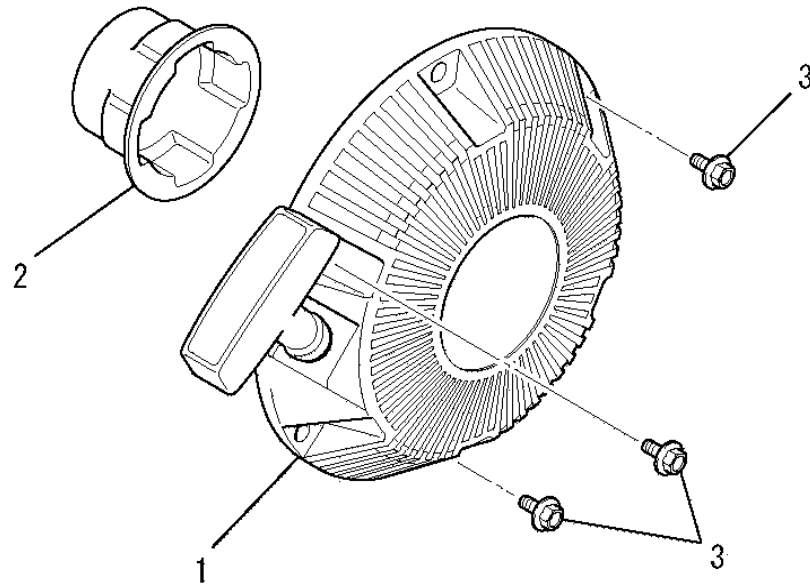
No.	R/N	Parts No.	Parts Name	No. Req'd	Inte	Remarks	Serial No. (From~To)
1		LF04139CD	FUEL TANK ASSY	1		INCL. NO. 2, 3	
2		LF05028CB	TANK CAP ASSY	1			
3		LF40003DA	FILTER, FUEL	1			
4		LB800A06025	BOLT, FLANGE	3			
5		LB800A06030	BOLT, FLANGE	1			
6		LU70021AA	CLIP	1			

(N) COCK GROUP



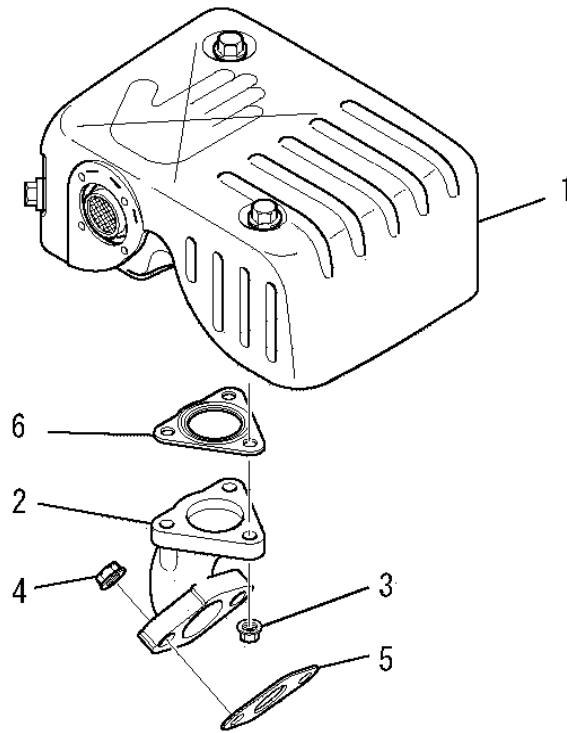
No.	R/N	Parts No.	Parts Name	No. Req'd	Inte	Remarks	Serial No. (From~To)
1		LF31034AA	COCK, FUEL	1			
2		LF40012AA	FILTER, FUEL	1			
3		LU70022AA	CLIP	1			
4		LU70021BA	CLIP	2			
5		LU12026AA	TAP-SCREW	1			

(R) RECOIL STARTER GROUP



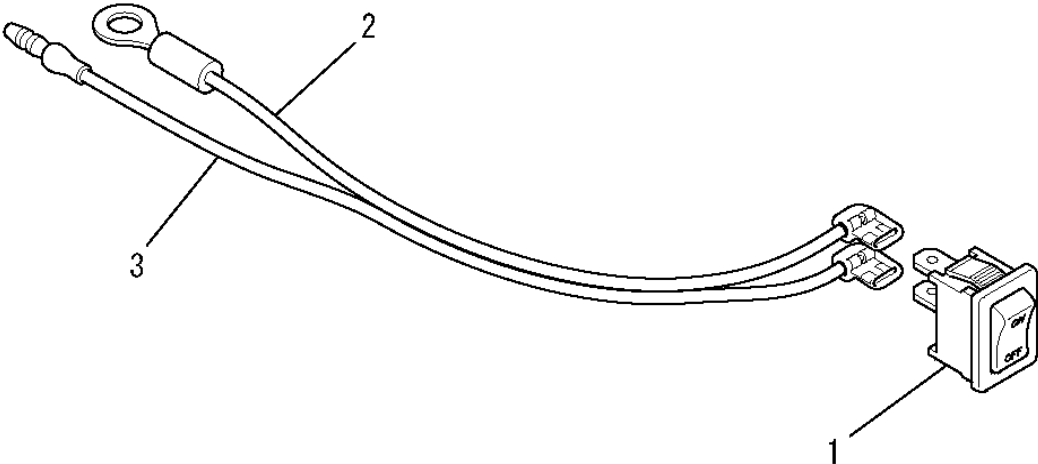
No.	R/N	Parts No.	Parts Name	No. Req'd	Inte	Remarks	Serial No. (From~To)
1		LS02095AA	RECOIL STARTER ASSY	1		INCL. NO. 2	
2		LS30040CA	PULLEY, STARTER	1			
3		LB800A06016K	BOLT, FLANGE	3			

(S) MUFFLER GROUP



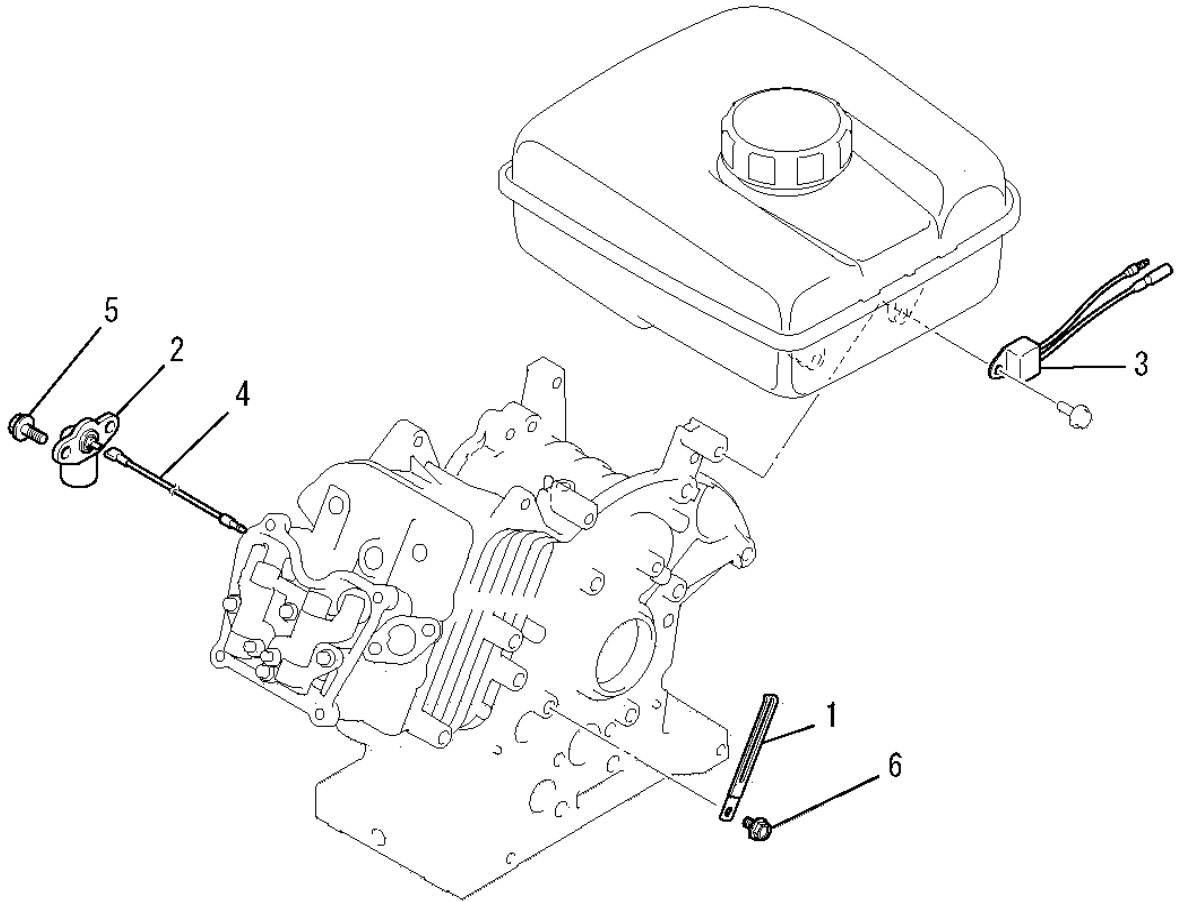
No.	R/N	Parts No.	Parts Name	No. Req'd	Inte	Remarks	Serial No. (From~To)
1		LM02140AA	MUFFLER ASSY	1			
2		LM30022AA	PIPE, EXHAUST	1			
3		LN801A06	NUT, FLANGE	3			
4		LZZ70028C	NUT, CONICAL SPG	2			
5		LM70040AA	GASKET, MUFFLER	1			
6		LM70041AA	GASKET, MUFFLER	1			

(U) SWITCH GROUP



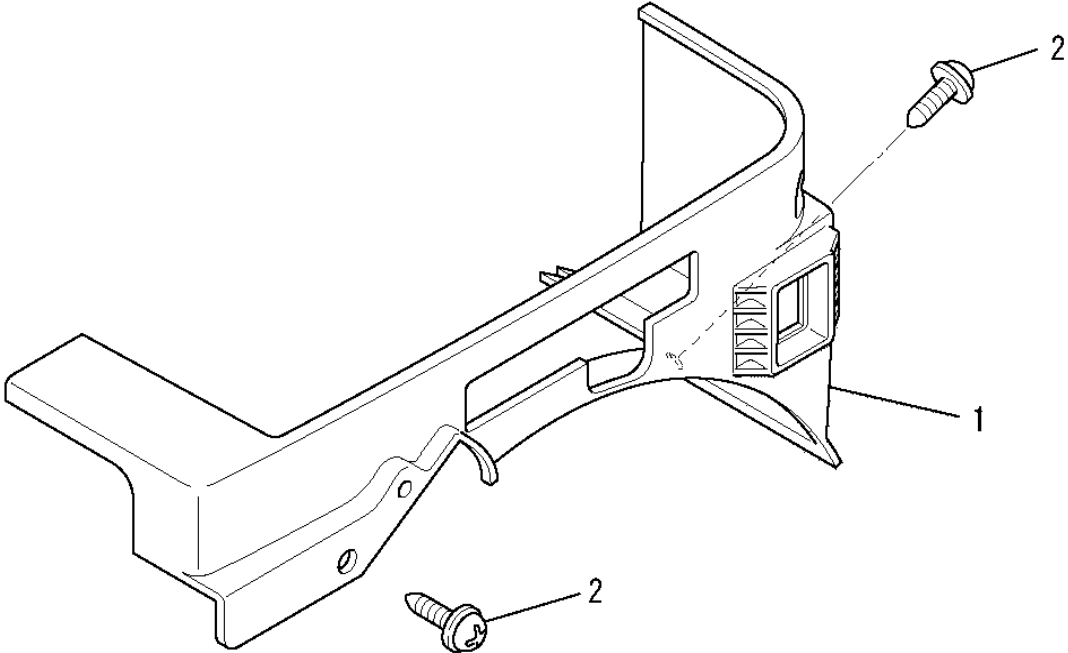
No.	R/N	Parts No.	Parts Name	No. Req'd	Inte	Remarks	Serial No. (From~To)
1		LE80033AA	SWITCH, STOP	1			
2		LE90190AA	WIRE, LEAD	1			
3		LE90191AA	WIRE, LEAD	1			

(W) OIL SENSOR GROUP



No.	R/N	Parts No.	Parts Name	No. Req'd	Inte	Remarks	Serial No. (From~To)
1		LFR64917	CLAMP	1			
2		LE09041AA	SENSOR, OIL	1			
3		LE34011AA	UNIT	1			
4		LE90013BA	WIRE, LEAD	1			
5		LB800A06012	BOLT, FLANGE	2			
6		LU12051AA	BOLT, FLANGE	1			

(X) COVER GROUP



No.	R/N	Parts No.	Parts Name	No. Req'd	Inte	Remarks	Serial No. (From~To)
1		LR40031DA	COVER, FRONT	1			
2		LU12025AA	TAP-SCREW	2			