

# SPARE PARTS LIST

MODEL NO. BLM430

ITEM	PART NO.	DESCRIPTION	QTY	NOTE
001	273675-0	GRIP A	1	
002	266459-3	TAPPING SCREW 5X25	2	
003	453250-0	LOCK LEVER	1	
004	453251-8	LOCK LEVER SUPPORT	1	
005	233173-6	COMPRESSION SPRING 4	1	
006	141300-0	REAR FLAP COMPLETE	1	
007	961018-5	STOP RING E-5	1	
008	256871-5	ROD 6	1	
009	233597-6	TORSION SPRING 8	1	
010	961018-5	STOP RING E-5	1	
011	266326-2	TAPPING SCREW 4X18	2	
012	266326-2	TAPPING SCREW 4X18	4	
013	453235-6	COWLING	1	
014	896608-4	BLM430 NAME PLATE	1	
015	141305-0	BATTERY COVER COMPLETE	1	
016	266326-2	TAPPING SCREW 4X18	2	
017	187254-7	TERMINAL HOUSING SET INC. 19	1	
018	643849-1	TERMINAL	1	
019	187254-7	TERMINAL HOUSING SET INC. 17	1	
020	890383-4	MAKITA LOGO LABEL	1	
021	453258-4	COWLING COVER	1	
022	266326-2	TAPPING SCREW 4X18	2	
023	266774-5	+ PAN HEAD SCREW M6X30 WITH WR	3	
024	629933-6	DC MOTOR	1	
025	620084-8	CONTROLLER	1	
026	266326-2	TAPPING SCREW 4X18	2	
027	687123-7	STRAIN RELIEF	1	
028	643890-4	KEY	1	
029	266326-2	TAPPING SCREW 4X18	2	
030	638946-6	LEAD UNIT	1	
031	688165-4	LINE FILTER	1	
032	688165-4	LINE FILTER	3	
033	688165-4	LINE FILTER	1	
034	454662-0	DECK	1	
035	453239-8	UNDER COVER	1	
036	266326-2	TAPPING SCREW 4X18	3	
037	224444-2	INNER FLANGE 40	1	
038	196060-9	BLADE 430 SET	1	
039	224445-0	OUTER FLANGE 40	1	
040	266731-3	HEX. BOLT M10X25	1	
041	921352-5	HEX. BOLT M6X30	1	
042	257670-8	SLEEVE 6	1	
043	453255-0	ADJUST PLATE	1	
044	266326-2	TAPPING SCREW 4X18	2	
045	931302-2	HEX. NUT M6	1	
046	266326-2	TAPPING SCREW 4X18	1	
047	267102-7	FLAT WASHER 4	1	
048	231297-2	COMPRESSION SPRING 9	1	
049	253808-3	FLAT WASHER 9	1	
050	453252-6	CHANGE LEVER	1	
051	453253-4	CHANGE LEVER COVER	1	
052	453241-1	REAR WHEEL CAP	1	
053	252145-2	COLLARED HEX NUT M8	1	
054	214067-4	PLANE BEARING 10	1	
055	453243-7	REAR WHEEL	1	
056	210070-3	BALL BEARING 6200ZZ	1	
057	165669-8	REAR SHAFT	1	
058	210070-3	BALL BEARING 6200ZZ	1	
059	453243-7	REAR WHEEL	1	

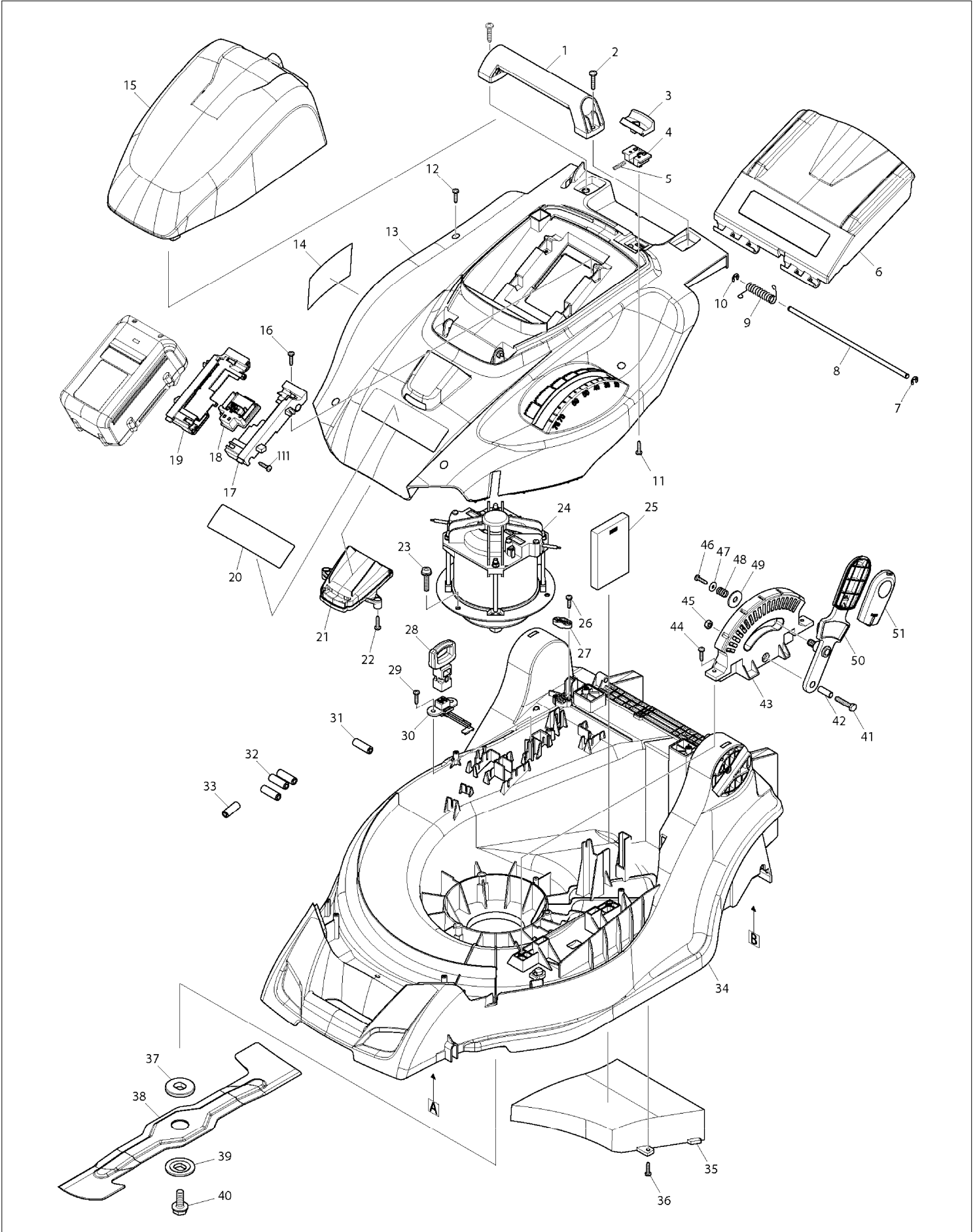
# SPARE PARTS LIST

MODEL NO. BLM430

ITEM	PART NO.	DESCRIPTION	QTY	NOTE
060	214067-4	PLANE BEARING 10	1	
061	252145-2	COLLARED HEX NUT M8	1	
062	453241-1	REAR WHEEL CAP	1	
063	266326-2	TAPPING SCREW 4X18	2	
064	346545-7	PLATE	2	
065	252103-8	HEX. LOCK NUT M5-8	1	
066	941101-4	FLAT WASHER 5	1	
067	346543-1	CONNECTING ROD	1	
068	231875-8	TENSION SPRING 16	1	
069	941101-4	FLAT WASHER 5	1	
070	252103-8	HEX. LOCK NUT M5-8	1	
071	453240-3	FRONT WHEEL CAP	1	
072	252145-2	COLLARED HEX NUT M8	1	
073	214067-4	PLANE BEARING 10	1	
074	453242-9	FRONT WHEEL	1	
075	210070-3	BALL BEARING 6200ZZ	1	
076	165668-0	FRONT SHAFT	1	
077	266326-2	TAPPING SCREW 4X18	4	
078	341462-6	PLATE	2	
079	210070-3	BALL BEARING 6200ZZ	1	
080	453242-9	FRONT WHEEL	1	
081	214067-4	PLANE BEARING 10	1	
082	252145-2	COLLARED HEX NUT M8	1	
083	453240-3	FRONT WHEEL CAP	1	
084	331975-5	SWITCH LEVER	1	
085	453246-1	SWITCH LEVER CASE	1	
086	453247-9	SWITCH LEVER CASE COVER	1	
087	266326-2	TAPPING SCREW 4X18	1	
088	266326-2	TAPPING SCREW 4X18	4	
089	141298-1	SWITCH BOX COVER COMPLETE	1	
090	911138-5	PAN HEAD SCREW M4X20	1	
091	453248-7	LEVER	1	
092	231876-6	TENSION SPRING 9	1	
093	453249-5	SWITCH BUTTON	1	
094	233068-3	COMPRESSION SPRING 6	1	
095	650681-6	SWITCH D3V-16-3A5	1	
096	453244-5	SWITCH BOX	1	
097	687123-7	STRAIN RELIEF	1	
098	266326-2	TAPPING SCREW 4X18	2	
099	141299-9	UPPER PIPE COMPLETE	1	
100	664780-8	POWER SUPPLY CORD #18-2-1.2	1	
101	266730-5	CUP H. SQUARE NECK BOLT M6X50	1	
102	264070-5	THUMB NUT M6	1	
103	264070-5	THUMB NUT M6	1	
104	266730-5	CUP H. SQUARE NECK BOLT M6X50	1	
105	331973-9	LOWER PIPE	1	
106	453385-7	HOLDER 9-19	2	
107	266729-0	THUMB SCREW M8X35	1	
108	266729-0	THUMB SCREW M8X35	1	
110	142245-5	REAR BAG COMPLETE	1	
111	266326-2	TAPPING SCREW 4X18	2	
112	326118-2	REAR BAG ROD	1	
113	267438-4	FLAT WASHER 5	2	
114	266326-2	TAPPING SCREW 4X18	2	
A01	782210-8	SOCKET WRENCH 17	1	
A02	***DC36RA	DC36RA FAST CHARGER	1	
A03	194873-2	BATTERY BL3626 SET	2	
A04	451153-2	BATTERY COVER	1	

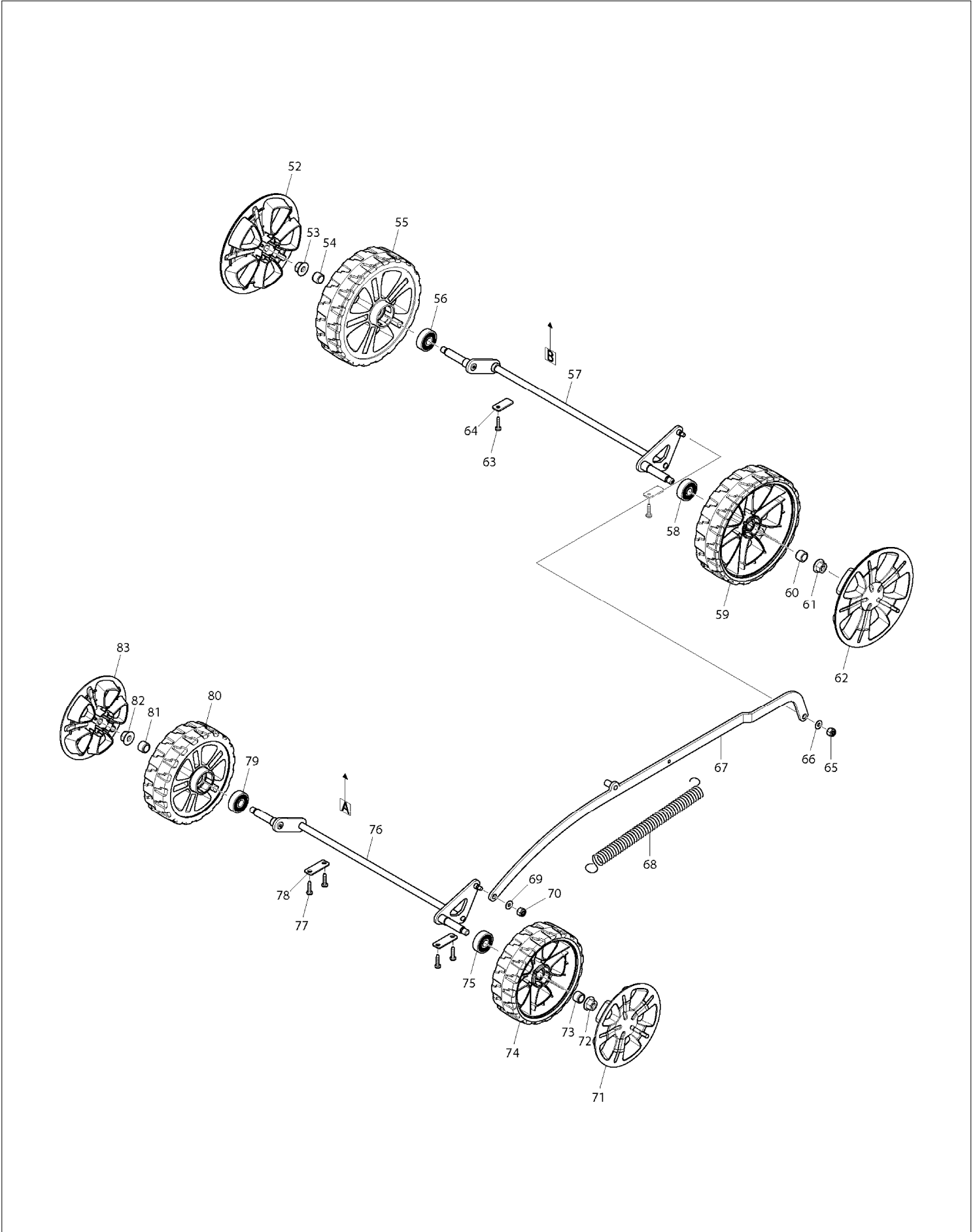
# SERVICE DRAWING

MODEL NO. BLM430



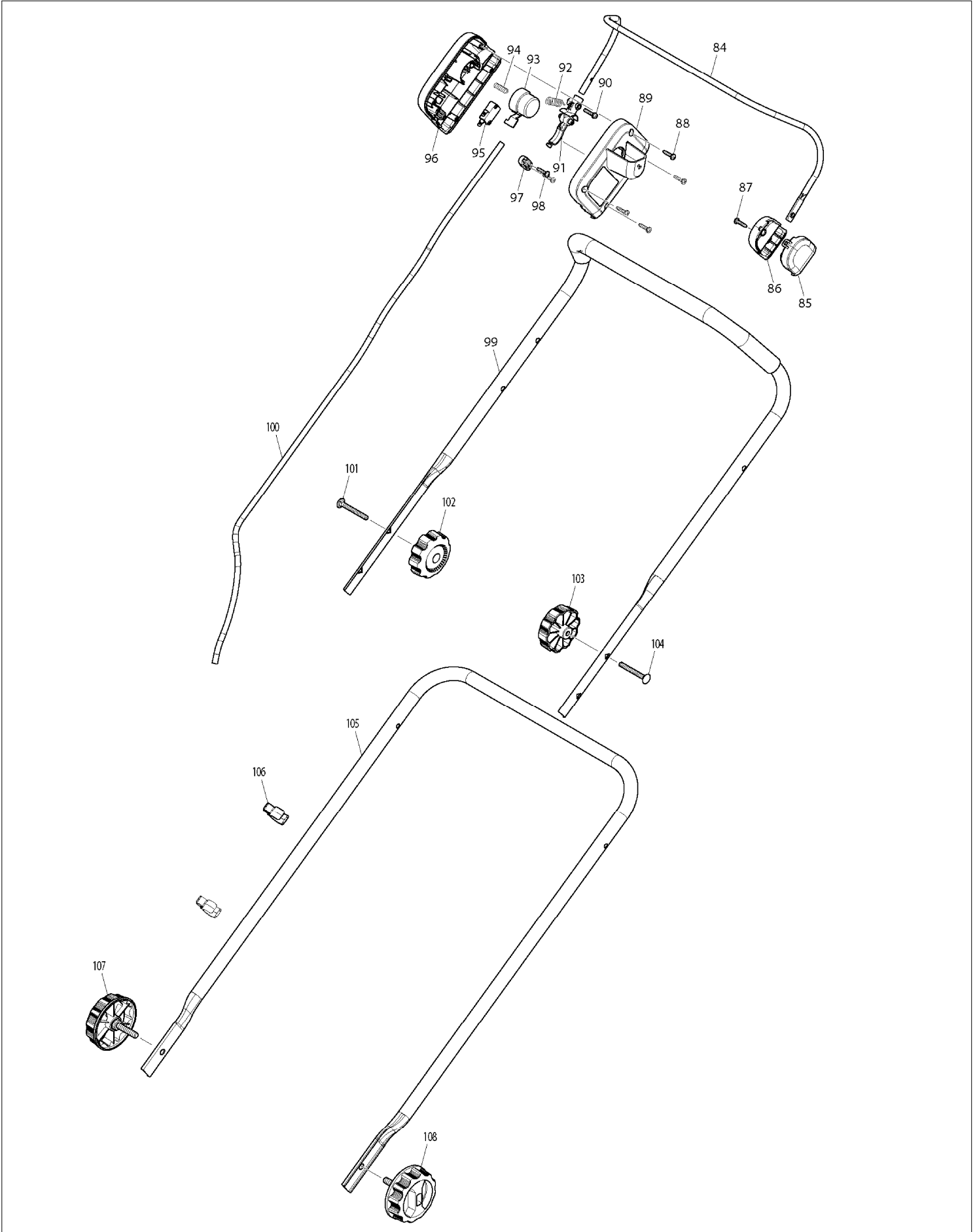
# SERVICE DRAWING

MODEL NO. BLM430



# SERVICE DRAWING

MODEL NO. BLM430



# SERVICE DRAWING

MODEL NO. BLM430

