

SPARE PARTS LIST

MODEL NO. DPC6401

| ITEM | PART NO. | DESCRIPTION | QTY | NOTE |
|------|-----------|-------------------------------------|-----|------|
| 001 | 010114091 | TANK CAP CPL.,FUEL INC. 2 | 1 | |
| 002 | 963230031 | O-RING | 1 | |
| 003 | 010114010 | SUCTION HEAD(FUEL) | 1 | |
| 004 | 963601240 | FELT | 1 | |
| 005 | 965404911 | FUEL LINE | 1 | |
| 006 | 913455454 | SCREW 5.5X45 | 1 | |
| 007 | 900005078 | WASHER | 1 | |
| 008 | 965403532 | RUBBER BUFFER | 1 | |
| 009 | 394114281 | AXLE | 1 | |
| 010 | 394114601 | TANK. CPL INC. 11-15 | 1 | |
| 011 | 394114070 | RUBBER FOOT | 1 | |
| 012 | 010175050 | AIR VALVE CPL. | 1 | |
| 013 | 394114100 | SCREW PLUG | 4 | |
| 014 | 957117030 | HALF-THROTTLE LOCK, CPL. | 1 | |
| 015 | 957117020 | THROTTLE MACHANISM, CPL. INC. 16 | 1 | |
| 016 | 394117011 | THROTTLE LINKAGE | 1 | |
| 017 | 394114051 | POT | 1 | |
| 018 | 965403532 | RUBBER BUFFER | 1 | |
| 019 | 394114281 | AXLE | 1 | |
| 020 | 908305405 | SCREW M5X40 | 1 | |
| 021 | 394114640 | BRACKET | 1 | |
| 022 | 913455204 | FILLISTER HEAD SCREW 5.5X20 | 2 | |
| 023 | 913455454 | SCREW 5.5X45 | 1 | |
| 024 | 900005078 | WASHER | 1 | |
| 025 | 965403532 | RUBBER BUFFER | 1 | |
| 026 | 394114281 | AXLE | 1 | |
| 027 | 913455454 | SCREW 5.5X45 | 1 | |
| 028 | 965403532 | RUBBER BUFFER | 1 | |
| 029 | 394310101 | TUBULAR HANDLE | 1 | |
| 030 | 010114081 | ANGLAR UNION ASSY. INC. 34 | 1 | |
| 032 | 913455454 | SCREW 5.5X45 | 2 | |
| 033 | 394114060 | FOOT | 1 | |
| 034 | 963230031 | O-RING | 1 | |
| 035 | 394118110 | FILTER COVER ASSY. INC. 37,38 | 1 | |
| 036 | 980114599 | SAFETY LABEL | 1 | |
| 037 | 908005305 | FILLSTER HEAD SCREW M5X30 | 1 | |
| 038 | 394118060 | INSERT | 1 | |
| 039 | 394173030 | PREFILTER | 1 | |
| 040 | 394118020 | PACKING RING | 1 | |
| 041 | 980114794 | LABEL | 1 | |
| 042 | 394118080 | HOOD CPL. INC. 40,171 | 1 | |
| 043 | 908505555 | SCREW M5X55 | 4 | |
| 044 | 394173010 | AIR FILTER | 1 | |
| 045 | 394173020 | INNER FILTER | 1 | |
| 046 | 395174110 | COVER PLATE | 1 | |
| 047 | 965531131 | GASKET | 1 | |
| 048 | 394174401 | MUFFLER | 1 | |
| 049 | 908405205 | SCREW 5X20 | 2 | |
| 050 | 908005095 | SCREW M5X9 | 2 | |
| 051 | 921905004 | SQUARE NUT M5 | 1 | |
| 052 | 965603050 | CLAMP | 1 | |
| 053 | 394131210 | SUCTION LINE | 1 | |
| 054 | 024131032 | INSERT FOR SUCTION HOSE | 1 | |
| 055 | 394171052 | CONNECTING SLEEVE CPL. INC. 53 | 1 | |

SPARE PARTS LIST

MODEL NO. DPC6401

| ITEM | PART NO. | DESCRIPTION | QTY | NOTE |
|------|-----------|--------------------------------------|-----|------|
| 056 | 965401016 | RUBBER BUSH | 1 | |
| 057 | 965452382 | VENTILATION LINE | 1 | |
| 058 | 965518120 | GASKET | 1 | |
| 059 | 970502050 | TUBE | 1 | |
| 060 | 394150042 | CHOKE SHAFT | 1 | |
| 061 | 394150030 | CHOKE SHAFT | 1 | |
| 062 | 908204555 | SCREW 4X55 | 2 | |
| 063 | 394151052 | CARBURETOR WITH GASKET INC. 64-95 | 1 | |
| 064 | 394150170 | SCREW | 4 | |
| 065 | 394150160 | PUMP COVER CPL. | 1 | |
| 066 | 957150100 | SET DIAPHRAGM / GASKETS INC. 67 | 1 | |
| 067 | 113150150 | PUMP DIAPHRAGM, RUBBER | 1 | |
| 068 | 394150180 | SCREEN | 1 | |
| 069 | 122151400 | DISC | 1 | |
| 070 | 100150350 | SAFETY WASHER | 1 | |
| 071 | 394150250 | CHOKE SHAFT | 1 | |
| 072 | 001150650 | SCREW | 1 | |
| 073 | 113150261 | CHOKE SHUTTER | 1 | |
| 074 | 113150380 | LOCKING BALL | 1 | |
| 075 | 101150080 | LOCKING SPRING | 1 | |
| 076 | 957150160 | SET OF CONTROL PARTS | 1 | |
| 077 | 144151320 | THROTTLE SHUTTER | 1 | |
| 078 | 001150650 | SCREW | 1 | |
| 079 | 144151315 | BUSHING | 1 | |
| 080 | 394150310 | SPRING | 1 | |
| 081 | 144151315 | BUSHING | 1 | |
| 082 | 394150300 | THROTTLE SHAFT | 1 | |
| 083 | 001150510 | LOCKING BALL | 1 | |
| 084 | 394150570 | IDLE STOP SCREW(S) | 1 | |
| 085 | 394150500 | PACKING RING | 1 | |
| 086 | 144151480 | SPRING | 1 | |
| 087 | 394150470 | IDLE ADJUSTMENT SCREW | 1 | |
| 088 | 394150510 | MAIN ADJUSTMENT SCREW | 1 | |
| 089 | 144151480 | SPRING | 1 | |
| 090 | 394150500 | PACKING RING | 1 | |
| 091 | 113150040 | COVER DISC | 1 | |
| 093 | 394150120 | DIAPRAGM COVER | 1 | |
| 094 | 965402970 | GASKET | 1 | |
| 095 | 001150520 | SCREW | 4 | |
| 096 | 394112640 | STARTER ASSY. INC. 98,99,101-105 | 1 | |
| 097 | 908005165 | FILLISTER HEAD SCREW M5X16 | 4 | |
| 098 | 928405000 | SPRING WASHER | 1 | |
| 099 | 001161010 | STARTER GRIP | 1 | |
| 100 | 980114217 | LABEL | 1 | |
| 101 | 394163020 | REWIND SPRING IN HOUSING | 1 | |
| 102 | 915135100 | THREAD FORMING SCREW 3.5X9.5 | 2 | |
| 103 | 394162010 | CABLE DRUM | 1 | |
| 104 | 929314100 | SNAP RING | 1 | |
| 105 | 394112140 | AIR GUIDE PLATE | 1 | |
| 106 | 122164010 | STARTER ROPE | 1 | |
| 107 | 965605433 | CABLE WITH PLUG INC. 108 | 1 | |
| 108 | 965401016 | RUBBER BUSH | 1 | |
| 109 | 394146013 | CONTACT SPRING | 1 | |
| 110 | 957604240 | SPARK PLUG CAP CPL. | 1 | |
| 111 | 965603021 | SPARK PLUG BPMR7A | 1 | |
| 112 | 970310200 | IGNITION CABLE 14-1/8" | 1 | |
| 113 | 394143011 | IGNITION COIL | 1 | |

SPARE PARTS LIST

MODEL NO. DPC6401

| ITEM | PART NO. | DESCRIPTION | QTY | NOTE |
|------|-----------|--------------------------------------|-----|------|
| 114 | 908605205 | SCREW M5X20 | 2 | |
| 115 | 394141030 | FLYWHEEL ASSY. INC. 116 | 1 | |
| 116 | 031166010 | STARTER RATCHET CPL. | 2 | |
| 117 | 926208001 | SPRING WASHER 8 | 1 | |
| 118 | 920208024 | HEXAGONALNUT M8X1 | 1 | |
| 119 | 394131040 | HOOD, BLACK | 1 | |
| 120 | 908005165 | FILLISTER HEAD SCREW M5X16 | 3 | |
| 121 | 908005305 | FILLSTER HEAD SCREW M5X30 | 5 | |
| 122 | 962900052 | RADIAL RING | 1 | |
| 123 | 001131150 | DECOMPLESSION VALVE | 1 | |
| 124 | 908005205 | FILLISTER HEAD SCREW M5X20 | 4 | |
| 125 | 394111111 | CLANKCASE, MAGNET SIDE INC. 128 | 1 | |
| 126 | 936430160 | SPIRAL CLAMPING PIN | 2 | |
| 127 | 965531111 | GASKET | 1 | |
| 128 | 960102159 | BALL BAERING 6202 | 1 | |
| 129 | 325130035 | CYLINDER/PISTON, CPL. INC. 130 | 1 | |
| 130 | 325132034 | PISTON CPL. INC. 131,132 | 1 | |
| 131 | 325132050 | PISTON RING 47MM | 1 | |
| 132 | 119132060 | SPRING RING | 2 | |
| 133 | 965531121 | GASKET | 1 | |
| 134 | 962210015 | NEEDLE CAGE | 1 | |
| 135 | 394120011 | CRANKSHAFT CPL. | 1 | |
| 136 | 939630370 | KEY | 1 | |
| 137 | 394111120 | CRANKCASE, CLUTCH SIDE INC. 138 | 1 | |
| 138 | 960102159 | BALL BAERING 6202 | 1 | |
| 139 | 962900052 | RADIAL RING | 1 | |
| 140 | 930916160 | SPRING RING | 1 | |
| 141 | 394245010 | STOP RING | 1 | |
| 142 | 394182020 | GUIDE DISC | 1 | |
| 143 | 394223022 | CLUTCH DRUM ASSY. | 1 | |
| 144 | 001182042 | DISC | 1 | |
| 145 | 010180021 | CLUTCH ASSY. | 1 | |
| 146 | 024184021 | TENSION SPRING | 3 | |
| 147 | 965300470 | V-BELT | 1 | |
| 148 | 394213040 | COVER | 1 | |
| 149 | 908605145 | FILLISTER HEAD SCREW M5X14 | 3 | |
| 150 | 980600130 | INSULATING SHEET | 1 | |
| 151 | 325341010 | PROT.HOOD 14" | 1 | |
| 152 | 394342011 | LOCKING PLATE | 1 | |
| 153 | 957342011 | PROT.HOOD MOUNTING,CPL INC. 152 | 1 | |
| 154 | 394228061 | PRESSURE DISC | 1 | |
| 155 | 394228100 | AXLE | 1 | |
| 156 | 394228061 | PRESSURE DISC | 1 | |
| 157 | 994280250 | HEXAGONAL SCREW M8X25 | 1 | |
| 158 | 394228021 | SPACER | 1 | |
| 159 | 394342211 | PRESSURE RING CPL. | 1 | |
| 160 | 394211740 | CUTTING DEVICE ASSY. INC. 161-167 | 1 | |
| 161 | 929240180 | SNAP RING | 1 | |
| 162 | 960102176 | BALL BEARING | 1 | |
| 163 | 929240180 | SNAP RING | 1 | |
| 164 | 394211090 | SCREW | 2 | |
| 165 | 957211020 | BOLT CPL. | 1 | |
| 166 | 394228021 | SPACER | 1 | |
| 167 | 960102176 | BALL BEARING | 1 | |

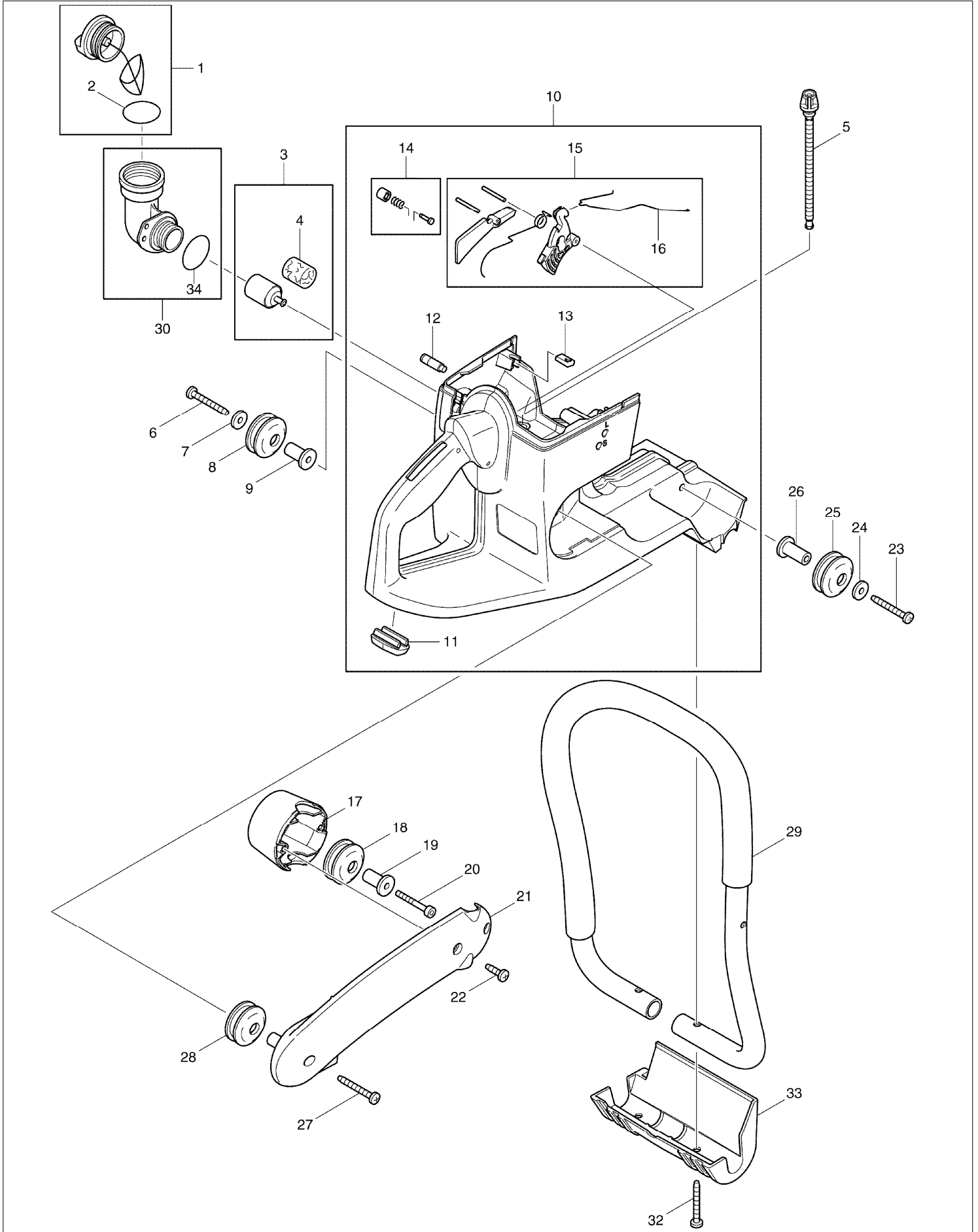
SPARE PARTS LIST

MODEL NO. DPC6401

| ITEM | PART NO. | DESCRIPTION | QTY | NOTE |
|------|-----------|----------------------------|-----|------|
| 168 | 900006179 | DISC | 1 | |
| 169 | 394221050 | V-BELT PULLEY | 1 | |
| 170 | 994280250 | HEXAGONAL SCREW M8X25 | 1 | |
| 171 | 394211100 | COVER CPL. INC. 172-174 | 1 | |
| 172 | 394213031 | TENSIONING SCREW | 1 | |
| 173 | 394342120 | PURESSURE SPRING | 1 | |
| 174 | 921906004 | SQUARE NUT M6 | 1 | |
| 175 | 923208004 | HEXAGONAL NUT M8 | 2 | |
| 176 | 980114762 | LABEL | 1 | |
| 177 | 394118050 | BAYONET LOCK | 1 | |
| 178 | 965402870 | RUBBER PLATE | 1 | |

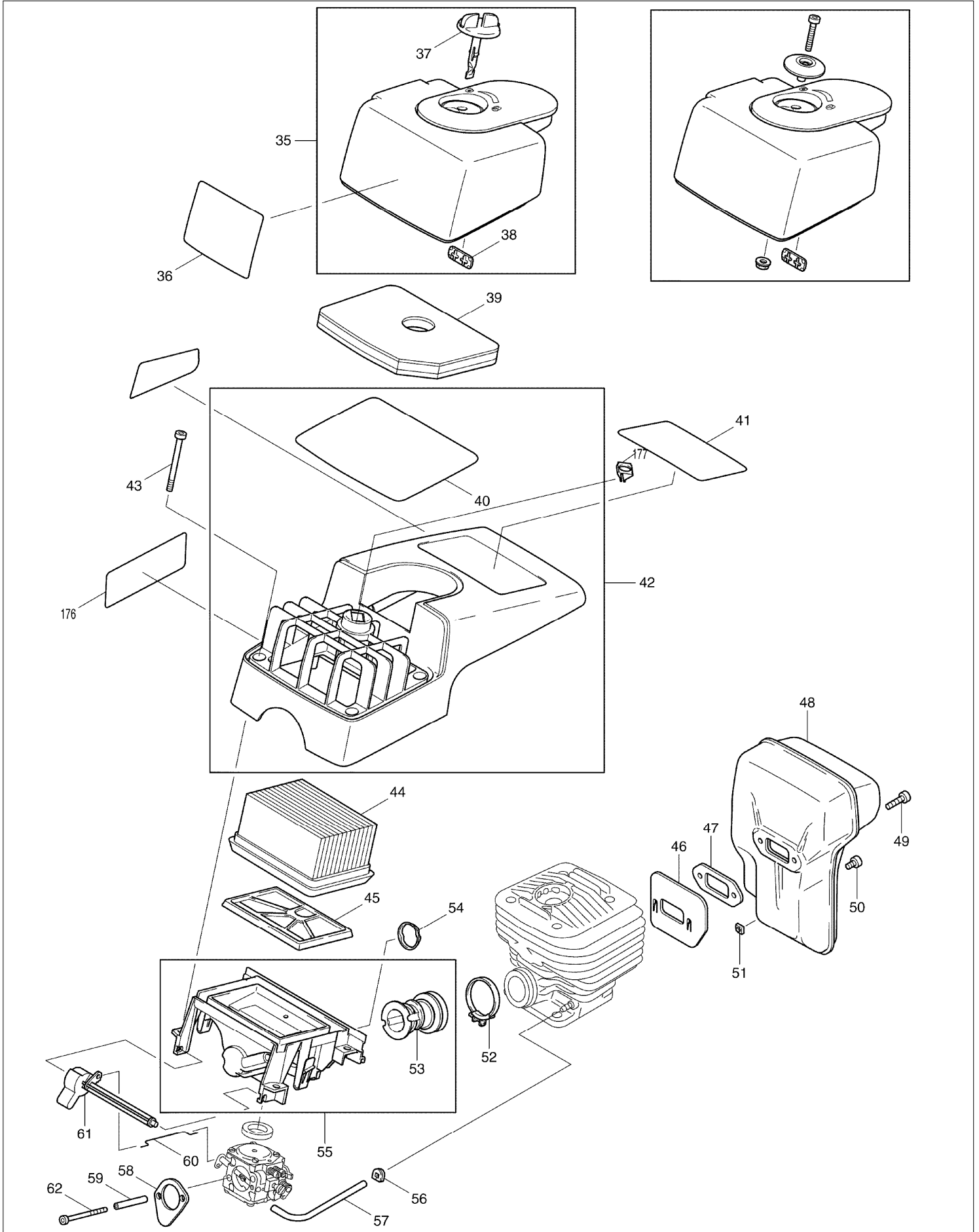
SERVICE DRAWING

MODEL NO. DPC6401



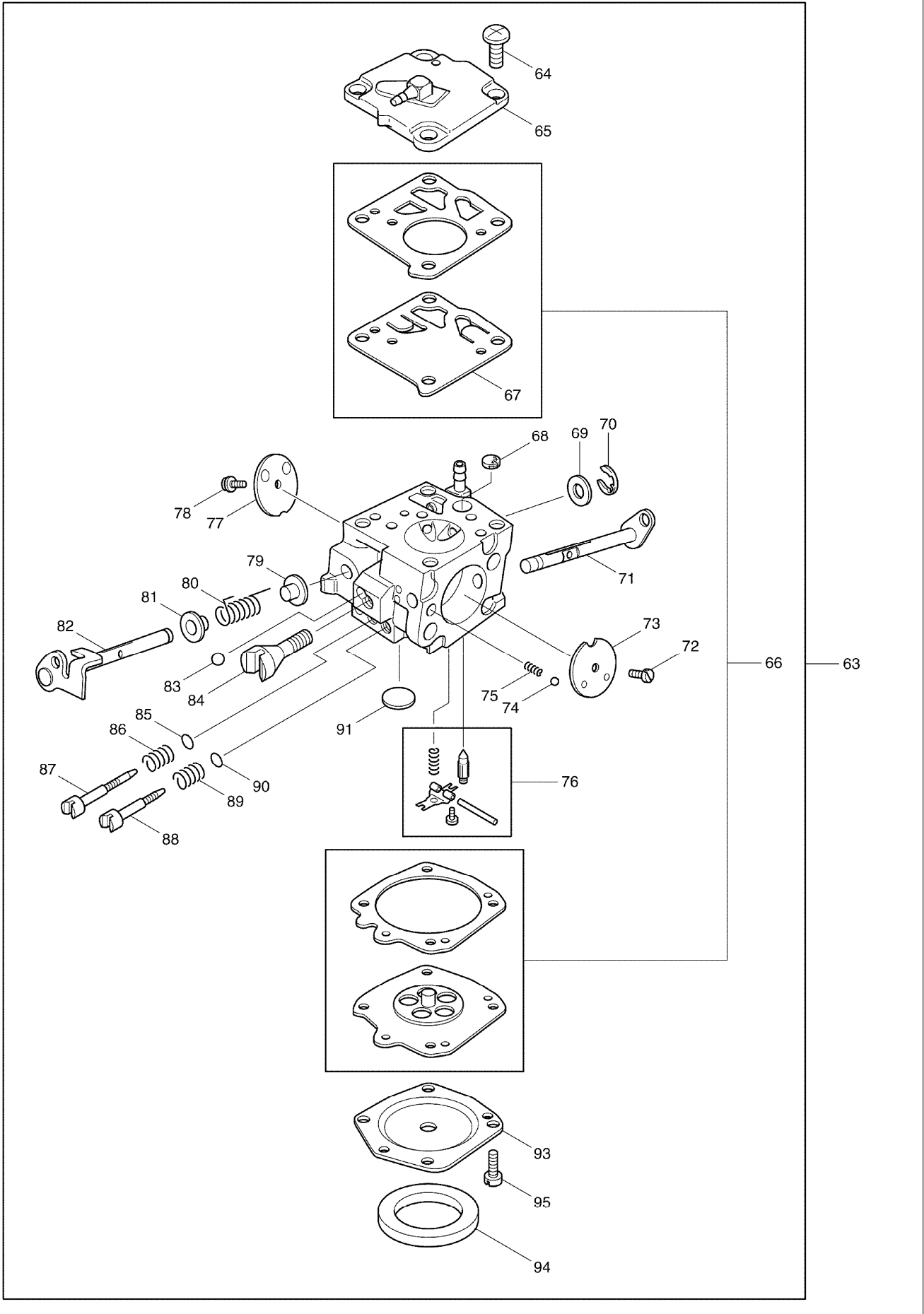
SERVICE DRAWING

MODEL NO. DPC6401



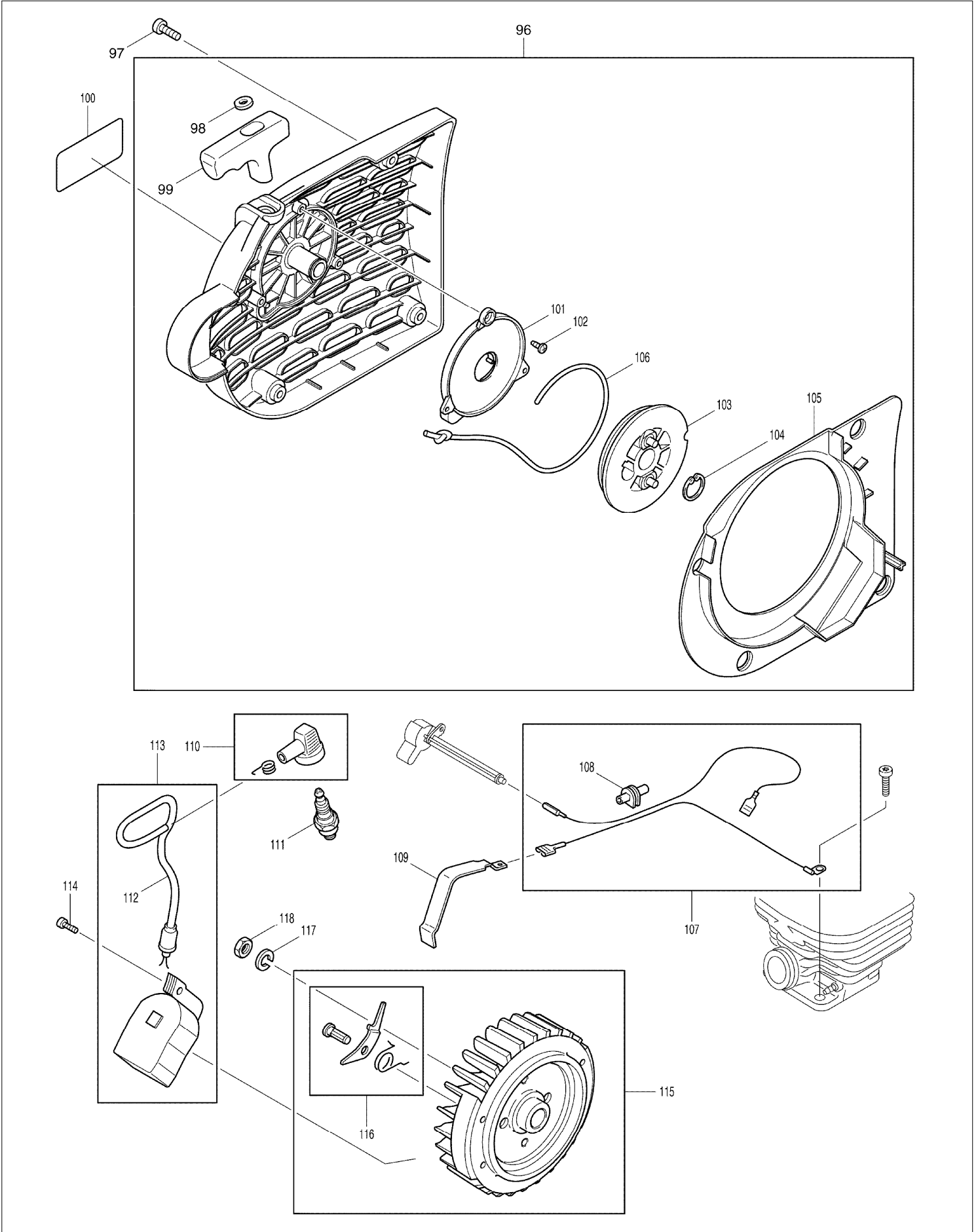
SERVICE DRAWING

MODEL NO. DPC6401



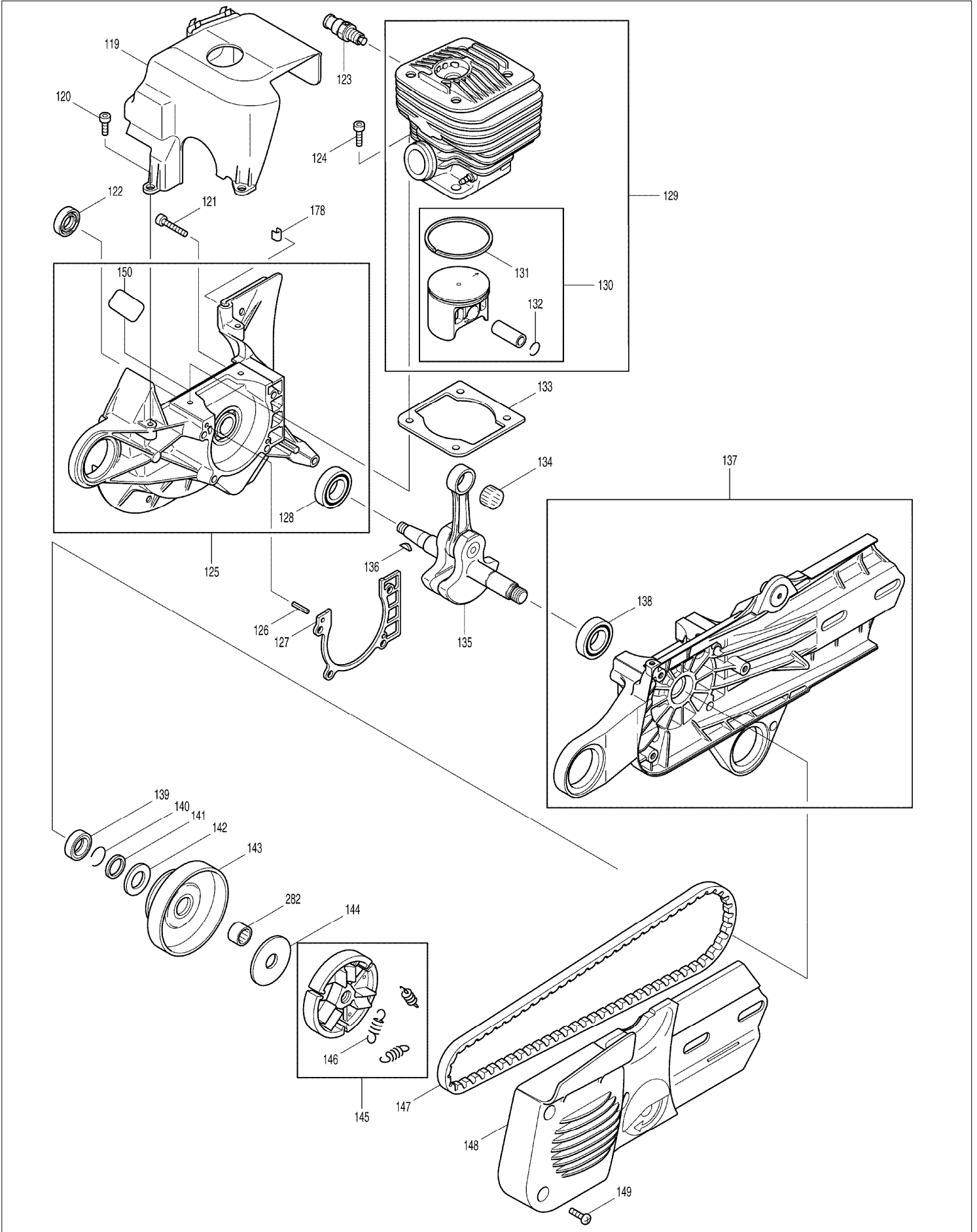
SERVICE DRAWING

MODEL NO. DPC6401



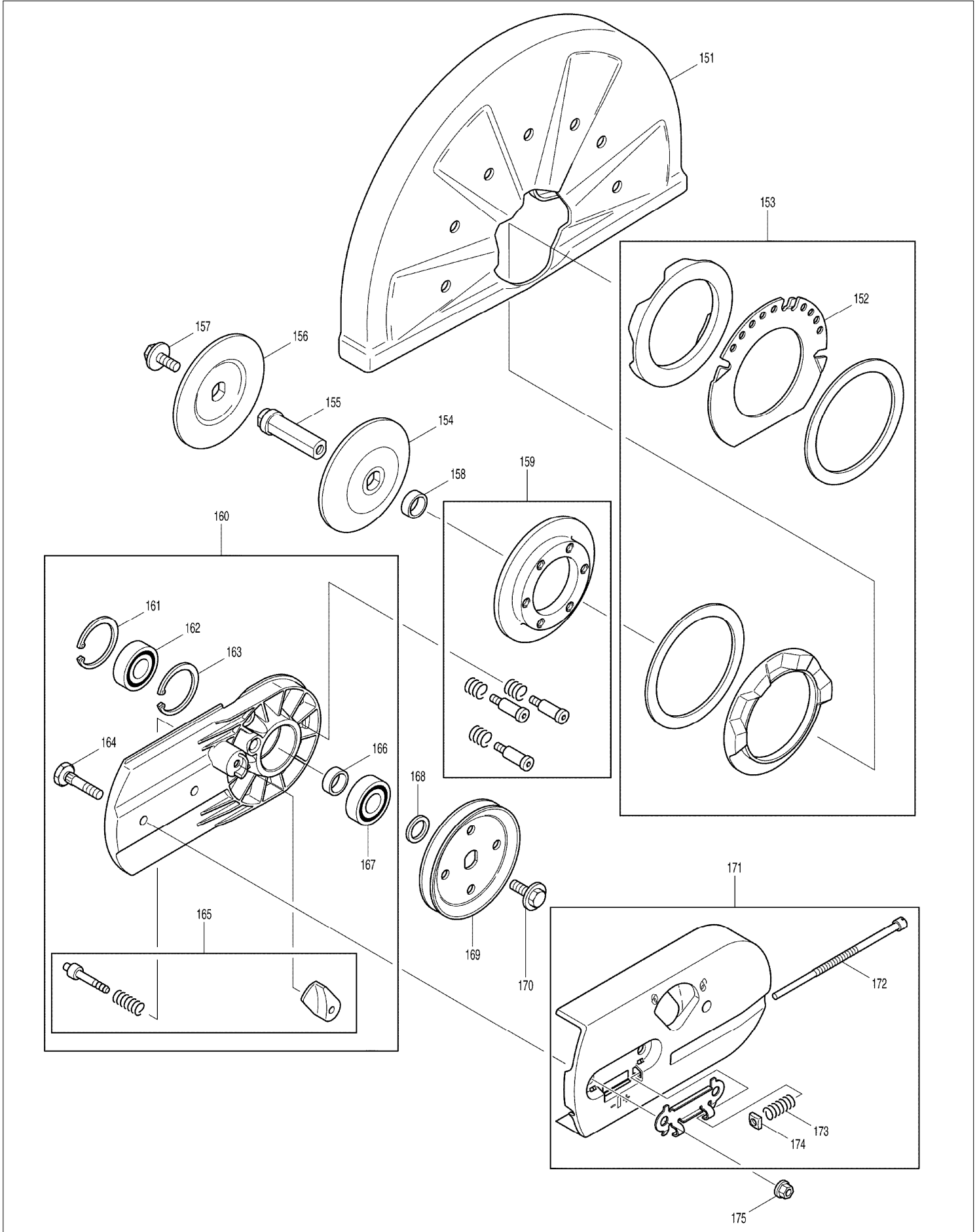
SERVICE DRAWING

MODEL NO. DPC6401



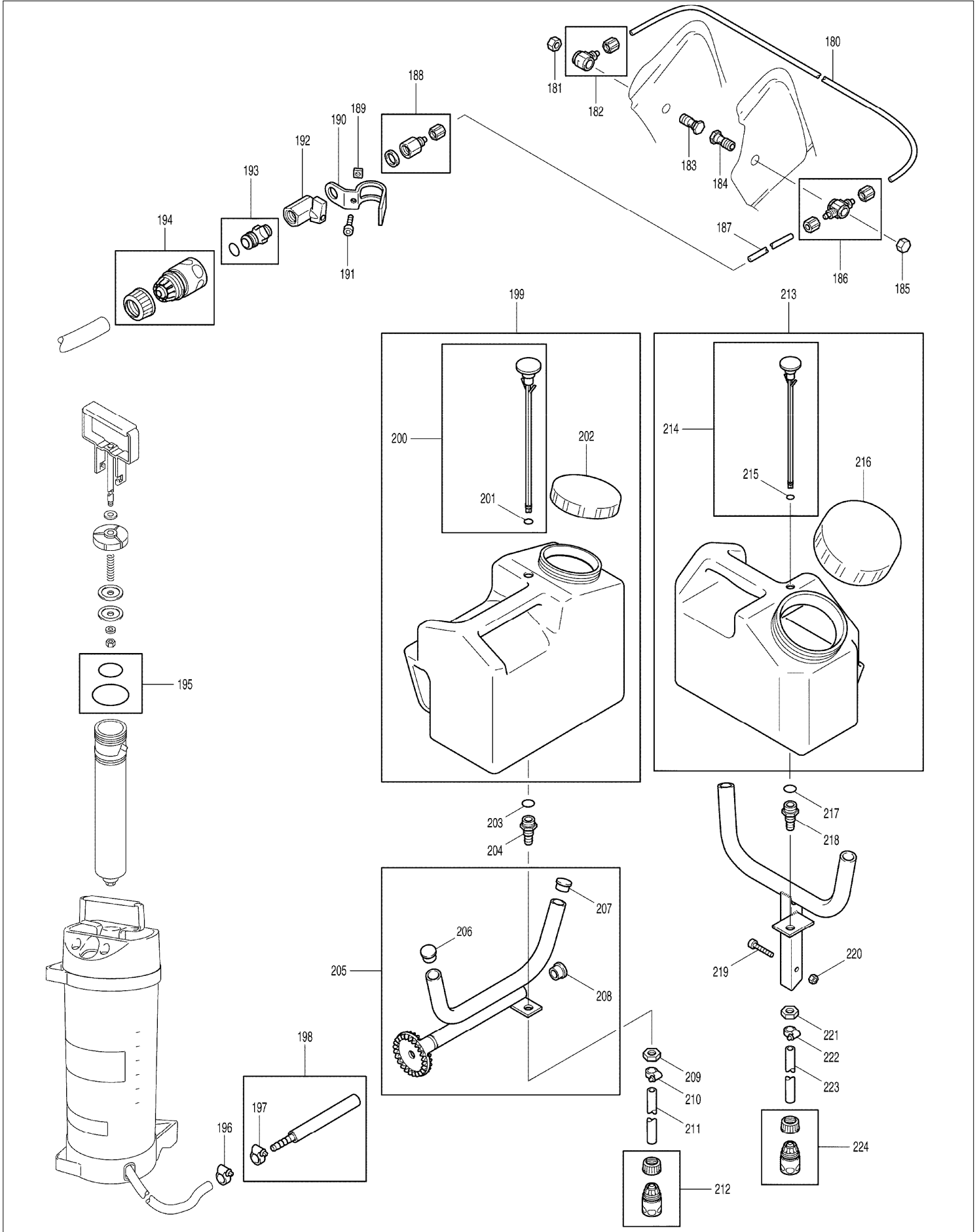
SERVICE DRAWING

MODEL NO. DPC6401



SERVICE DRAWING

MODEL NO. DPC6401



SERVICE DRAWING

MODEL NO. DPC6401

