

SPARE PARTS LIST

MODEL NO. LF1000

ITEM	PART NO.	DESCRIPTION	QTY	NOTE
001	265999-8	TAPPING SCREW 4X25	2	
002	265995-6	TAPPING SCREW 4X18	2	
003	687149-9	STRAIN RELIEF	1	
004	662971-5	POWER SUPPLY CORD 1.0-6-1.56	1	
005	682506-6	CORD GUARD 12-90	1	
006	688140-0	LINE FILTER	1	
007	687010-0	BAND	1	
008	645006-7	NOISE SUPPRESSOR	1	
009	265995-6	TAPPING SCREW 4X18	2	
010	416356-5	LOCK-OFF LEVER	1	
011	233483-1	COMPRESSION SPRING 4	1	
012	416404-0	SWITCH BUTTON	1	
013	651923-1	SWITCH TG70B	1	
014	651941-9	SWITCH V-15-2A5	1	
015	416357-3	SWITCH LEVER	1	
016	188063-7	HANDLE SET INC. 263	1	
017	265995-6	TAPPING SCREW 4X18	4	
018	861365-3	LF1000 NAME PLATE	1	
019	911383-2	PAN HEAD SCREW M6X60	4	
020	631947-3	CONTROLLER	1	
021	265995-6	TAPPING SCREW 4X18	1	
022	416362-0	REAR COVER	1	
023	265995-6	TAPPING SCREW 4X18	2	
024	643650-4	BRUSH HOLDER CAP 6.5-13.5	2	
025	181044-0	CARBON BRUSH CB-153	1	
026	154569-7	MOTOR HOUSING COMPLETE	1	
027	596273-6	FIELD ASS'Y 220-240V	1	
028	266044-2	TAPPING SCREW 5X60	2	
029	416361-2	BAFFLE PLATE	1	
030	211061-7	BALL BEARING 6000LLB	1	
031	681642-5	INSULATION WASHER	1	
032	516748-9	ARMATURE ASS'Y 220-240V INC. 30,31,34,35,264	1	
033	345574-7	SHAFT LOCK	1	
034	267320-7	FLAT WASHER 15	1	
035	211206-7	BALL BEARING 6202LLB	1	
036	233467-9	COMPRESSION SPRING 9	1	
037	911113-1	PAN HEAD SCREW M4X10	1	
038	416006-2	LEVER 100	1	
039	252192-3	HEX.NUT M10-17	1	
040	231266-3	COMPRESSION SPRING 5	1	
041	331691-9	SPACER	1	
042	264005-6	HEX. LOCK NUT M10-17	1	
043	253197-6	FLAT WASHER 10	1	
044	911113-1	PAN HEAD SCREW M4X10	1	
045	816825-0	INDICATION PLATE	1	
046	265551-2	HEX. SOCKET HEAD BOLT M6X20	1	
047	267325-7	FLAT WASHER 6	1	
048	257270-4	RING 6	1	
049	141540-0	LINK PLATE COMPLETE	1	
050	265532-6	HEX.BOLT M10	1	
051	267323-1	FLAT WASHER 16	1	
052	141133-3	ARM COMPLETE	1	
053	231681-1	TORSION SPRING 34	1	
054	416358-1	SLEEVE 17	2	
055	256488-4	PIN 7	1	
056	233429-7	COMPRESSION SPRING 7	1	
057	271601-3	KNOB 20	1	
058	951063-8	SPRING PIN 3-16	1	
059	687049-3	STRAIN RELIEF	1	

SPARE PARTS LIST

MODEL NO. LF1000

ITEM	PART NO.	DESCRIPTION	QTY	NOTE
060	911113-1	PAN HEAD SCREW M4X10	1	
061	271319-6	KNOB 40	1	
062	216030-3	STEEL BALL 6	2	
063	257750-0	SLEEVE 13	1	
064	257748-7	SLEEVE 6	1	
065	267313-4	FLAT WASHER 6	1	
066	265552-0	HEX. SOCKET HEAD BOLT M6X30	1	
067	331689-6	ADJUST NUT	1	
068	922557-0	HEX. SOCKET HEAD BOLT M10X35	1	
069	942251-8	SPRING WASHER 10	1	
070	941252-3	FLAT WASHER 10	1	
071	257747-9	SLEEVE 10	1	
072	265984-1	HEX.SOCKET BUTTON HEAD BOLT M6	1	
073	267326-5	FLAT WASHER 7	1	
074	345553-5	STOPPER PLATE	1	
075	216004-4	STEEL BALL 7.9	1	
076	233466-1	COMPRESSION SPRING 6	1	
077	911113-1	PAN HEAD SCREW M4X10	1	
078	266085-8	H.S.SET SCREW(FLAT POINT)M6X10	1	
079	931502-4	HEX. NUT M10	1	
080	942251-8	SPRING WASHER 10	1	
081	941252-3	FLAT WASHER 10	1	
082	317889-2	CONNECTING ROD	1	
083	419277-0	DUST NOZZLE	1	
084	213460-9	O RING 35	1	
085	253197-6	FLAT WASHER 10	1	
086	931302-2	HEX. NUT M6	1	
087	921342-8	HEX. BOLT M6X25	1	
088	257746-1	SLEEVE 5	1	
089	265550-4	HEX. SOCKET HEAD BOLT M5X20	1	
090	266085-8	H.S.SET SCREW(FLAT POINT)M6X10	2	
091	317887-6	SUB ARM	1	
092	266377-5	BOLT M10	1	
093	912112-6	COUNTERSUNK HEAD SCREW M4X10	2	
094	231836-8	TENSION SPRING 4	1	
095	453711-0	SAFETY COVER	1	
096	210043-6	BALL BEARING 608LLB	1	
097	961055-9	RETAINING RING S-15	1	
098	226600-0	HELICAL GEAR 46	1	
099	254202-2	KEY 4	1	
100	257266-5	RING 15	1	
101	213623-7	O RING 46	1	
102	285846-7	BEARING RETAINER 25-36	1	
103	211206-7	BALL BEARING 6202LLB	1	
104	317888-4	BEARING BOX	1	
105	912222-9	COUNTERSUNK HEAD SCREW M5X16	4	
106	961201-4	RETAINING RING S-42	1	
107	224333-1	FLANGE 53	1	
108	257295-8	RING 16	1	
109	324543-1	SPINDLE	1	
110	224400-2	OUTER FLANGE 53	1	
111	266762-2	HEX. SOCKET HEAD BOLT M8X22	1	
112	266763-0	HEX. SOCKET HEAD BOLT M8X97	1	
113	942201-3	SPRING WASHER 8	1	
114	267312-6	FLAT WASHER 8	1	
116	163461-6	RIVING KNIFE	1	
117	331690-1	KNIFE SUPPORT	1	
118	267312-6	FLAT WASHER 8	1	
119	252641-0	WING NUT M8	1	
120	961011-9	STOP RING E-4	1	
121	154571-0	BLADE CASE COMPLETE	1	

SPARE PARTS LIST

MODEL NO. LF1000

ITEM	PART NO.	DESCRIPTION	QTY	NOTE
122	324664-9	GUARD SHAFT	1	
123	345554-3	GUARD	1	
124	345558-5	GUARD HOLDER	1	
125	911213-7	PAN HEAD SCREW M5X12	1	
126	267327-3	FLAT WASHER 10	1	
127	231675-6	TORSION SPRING 11	1	
128	265533-4	HEX.BOLT M6	1	
129	210043-6	BALL BEARING 608LLB	1	
130	267313-4	FLAT WASHER 6	1	
131	961012-7	STOP RING E-6	1	
132	421589-9	CAP	1	
133	345552-7	LOCK LEVER	1	
134	233467-9	COMPRESSION SPRING 9	1	
135	256855-3	ROD 8	1	
136	911113-1	PAN HEAD SCREW M4X10	2	
137	912112-6	COUNTERSUNK HEAD SCREW M4X10	9	
138	912112-6	COUNTERSUNK HEAD SCREW M4X10	9	
139	345541-2	SLIDE PLATE L	1	
140	345542-0	SLIDE PLATE R	1	
141	265551-2	HEX. SOCKET HEAD BOLT M6X20	4	
142	141631-7	TURN TABLE COMPLETE	1	
143	251815-0	SCREW M6X25	1	
144	268068-4	PIN 5	1	
145	154578-6	SUB FENCE R COMPLETE	1	
146	911258-5	PAN HEAD SCREW M5X35	1	
147	911113-1	PAN HEAD SCREW M4X10	2	
148	816827-6	SCALE PLATE R	1	
149	816826-8	SCALE PLATE L	1	
150	911113-1	PAN HEAD SCREW M4X10	2	
151	911258-5	PAN HEAD SCREW M5X35	1	
152	154577-8	SUB FENCE L COMPLETE	1	
153	142820-7	GUIDE FENCE COMPLETE	1	
154	266392-9	H.S.SET SCREW(FLATPOINT)M10X12	1	
155	233466-1	COMPRESSION SPRING 6	1	
156	216004-4	STEEL BALL 7.9	1	
157	265710-8	THUMB SCREW M6X33	1	
158	188862-7	FRAME SET INC. 273	1	
159	345547-0	HOOK	1	
160	331687-0	SQUARE PIPE 32-510	1	
161	931302-2	HEX. NUT M6	3	
162	418927-4	FOOT	3	
163	154592-2	SUPPORT BRACKET COMPLETE	1	
164	921367-2	HEX. BOLT M6X45	4	
165	687049-3	STRAIN RELIEF	1	
166	911113-1	PAN HEAD SCREW M4X10	1	
167	687049-3	STRAIN RELIEF	1	
168	911113-1	PAN HEAD SCREW M4X10	1	
169	931502-4	HEX. NUT M10	4	
170	942251-8	SPRING WASHER 10	4	
171	267328-1	FLAT WASHER 10	4	
172	265553-8	HEX. SOCKET HEAD BOLT M8X20	8	
173	331686-2	SQUARE PIPE 32-475	1	
174	267321-5	FLAT WASHER 8	2	
175	961012-7	STOP RING E-6	2	
176	257749-5	SLEEVE 8	4	
177	961012-7	STOP RING E-6	4	
178	961012-7	STOP RING E-6	4	
179	267321-5	FLAT WASHER 8	4	
180	345543-8	BRACKET	4	
181	267321-5	FLAT WASHER 8	4	

SPARE PARTS LIST

MODEL NO. LF1000

ITEM	PART NO.	DESCRIPTION	QTY	NOTE
182	268127-4	PIN 8	4	
183	345548-8	STOPPER HOOK	2	
185	268127-4	PIN 8	4	
186	267321-5	FLAT WASHER 8	2	
187	268141-0	PIN 8	2	
188	267312-6	FLAT WASHER 8	4	
189	931302-2	HEX. NUT M6	4	
190	418925-8	FOOT BOLT	1	
191	233468-7	COMPRESSION SPRING 13	1	
192	418926-6	FOOT NUT	1	
193	265995-6	TAPPING SCREW 4X18	4	
194	687209-7	BAND	1	
195	682540-6	CORD GUARD 9.3-90	1	
196	652772-9	RELAY 305.232.01	1	
197	418924-0	SWITCH BOX COVER	1	
198	911148-2	PAN HEAD SCREW M4X25	3	
199	654561-8	TERMINAL BLOCK	1	
200	645206-9	NOISE SUPPRESSOR	1	
201	686035-1	RECEPTACLE SLEEVE	5	
202	418618-7	PIN	1	
203	233464-5	COMPRESSION SPRING 8	1	
204	443103-1	FELT RING 6	1	
205	267322-3	FLAT WASHER 7	1	
206	418617-9	SWITCH BUTTON OFF	1	
207	418616-1	SWITCH BUTTON ON	1	
208	267322-3	FLAT WASHER 7	1	
209	443103-1	FELT RING 6	1	
210	233464-5	COMPRESSION SPRING 8	1	
211	418618-7	PIN	1	
212	418929-0	SWITCH COVER	1	
213	231682-9	TORSION SPRING 5	1	
214	331686-2	SQUARE PIPE 32-475	1	
215	418923-2	SWITCH BOX	1	
216	682511-3	GROMMET	1	
217	687149-9	STRAIN RELIEF	1	
218	265995-6	TAPPING SCREW 4X18	2	
219	665865-3	POWER SUPPLY CORD 1.0-2-2.5	1	
220	687124-5	STRAIN RELIEF	1	
221	265995-6	TAPPING SCREW 4X18	2	
222	931302-2	HEX. NUT M6	4	
223	267312-6	FLAT WASHER 8	4	
224	331686-2	SQUARE PIPE 32-475	1	
225	345546-2	SUPPORT BRACKET	1	
226	921367-2	HEX. BOLT M6X45	4	
227	154593-0	PIPE 32 COMPLETE	2	
228	154572-8	TABLE COMPLETE	1	
229	266360-2	SCREW M10	2	
230	911113-1	PAN HEAD SCREW M4X10	1	
231	410047-0	WRENCH HOLDER 5.6	1	
232	266391-1	SHOULDER SCREW M6	2	
233	265554-6	HEX. SOCKET HEAD BOLT M8X25	1	
234	257749-5	SLEEVE 8	1	
235	418931-3	CAP	2	
236	816856-9	INDICATION PLATE	1	
237	911108-4	PAN HEAD SCREW M4X8	1	
238	265551-2	HEX. SOCKET HEAD BOLT M6X20	9	
239	257749-5	SLEEVE 8	1	
240	265554-6	HEX. SOCKET HEAD BOLT M8X25	1	
241	188862-7	FRAME SET INC. 235	1	
242	231680-3	TORSION SPRING 17	1	

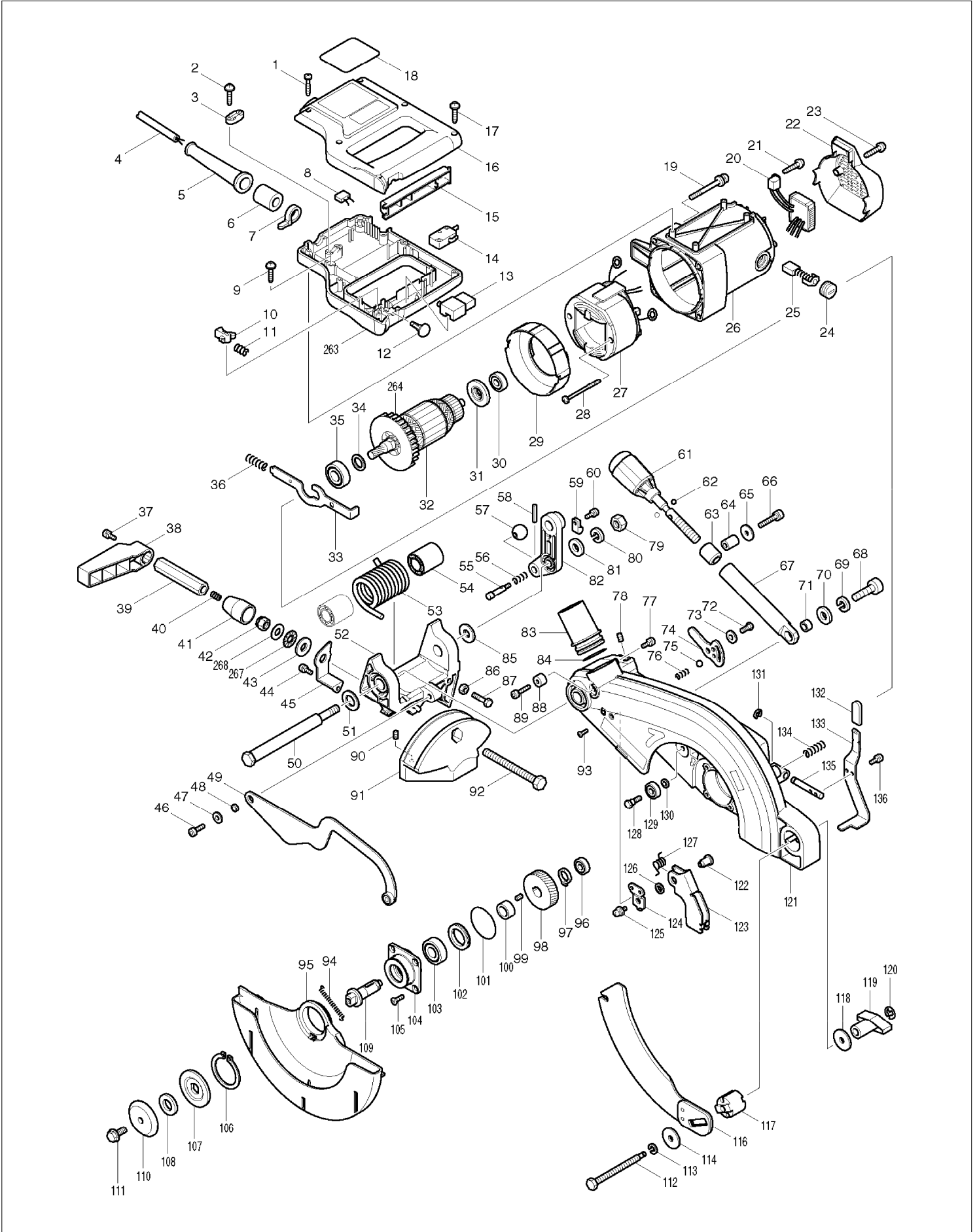
SPARE PARTS LIST

MODEL NO. LF1000

ITEM	PART NO.	DESCRIPTION	QTY	NOTE
243	911333-7	PAN HEAD SCREW M6X20	4	
244	911333-7	PAN HEAD SCREW M6X20	2	
245	421906-3	CUSHION	2	
246	345550-1	STOPPER BRACKET R	2	
247	265984-1	HEX.SOCKET BUTTON HEAD BOLT M6	2	
248	267326-5	FLAT WASHER 7	2	
249	345551-9	LEVER	1	
250	911333-7	PAN HEAD SCREW M6X20	2	
251	421906-3	CUSHION	2	
252	345550-1	STOPPER BRACKET R	2	
253	911333-7	PAN HEAD SCREW M6X20	4	
254	911333-7	PAN HEAD SCREW M6X20	2	
255	421906-3	CUSHION	2	
256	345549-6	STOPPER BRACKET F	2	
257	911333-7	PAN HEAD SCREW M6X20	4	
258	265555-4	HEX. SOCKET HEAD BOLT M8X50	2	
259	267399-8	FLAT WASHER 8	2	
260	257751-8	SLEEVE 8	2	
261	265549-9	HEX. SOCKET HEAD BOLT M4X20	1	
262	931102-0	HEX. NUT M4	1	
263	188063-7	HANDLE SET INC. 16	1	
264	240003-4	FAN 80	1	
265	941152-7	FLAT WASHER 6	4	
266	941152-7	FLAT WASHER 6	4	
267	216413-7	THRUST NEEDLE CAGE 1024	1	
268	253024-7	FLAT WASHER 10	1	
269	267319-2	FLAT WASHER 6	2	
271	267319-2	FLAT WASHER 6	3	
272	267319-2	FLAT WASHER 6	3	
273	418931-3	CAP	2	
A01	122729-9	RULER ASS'Y INC. A15	1	
A02	122732-0	DUST COVER ASS'Y	1	
A03	122852-0	DUST BAG ASS'Y	1	
A04	122728-1	WISE ASS'Y	1	
A05	122730-4	ANGLE RULE ASS'Y	1	
A06	123104-2	TOP COVER ASS'Y	1	
A07	345555-1	FIX PLATE	3	
A08	416368-8	ELBOW	1	
A09	419043-5	PUSH STICK	1	
A10	762001-3	TRIANGULAR RULE	1	
A11	921322-4	HEX. BOLT M6X16	3	
A12	783204-6	HEX. WRENCH 6	1	
A14	D-46408	TCT SAW BLADE 260 X 30 X 60T	1	
A15	154580-9	RULE HOLDER COMPLETE	1	
A17	783201-2	HEX. WRENCH 3	1	
A18	123262-4	SUB FENCE ASSEMBLY	1	

SERVICE DRAWING

MODEL NO. LF1000



SERVICE DRAWING

MODEL NO. LF1000

