

# SPARE PARTS LIST

MODEL NO. LS1013

ITEM	PART NO.	DESCRIPTION	QTY	NOTE
001	911373-5	PAN HEAD SCREW M6X50	4	
002	154568-9	MOTOR HOUSING COMPLETE	1	
003	265995-6	TAPPING SCREW 4X18	2	
004	416075-3	REAR COVER	1	
005	631219-6	CONTROLLER	1	
006	265995-6	TAPPING SCREW 4X18	1	
007	181044-0	CARBON BRUSH CB-153	1	
008	643650-4	BRUSH HOLDER CAP 6.5-13.5	2	
009	858580-8	NAME PLATE LS1013	1	
010	599506-8	FIELD ASS'Y 220V	1	
011	266029-8	TAPPING SCREW 5X65	2	
012	911223-4	PAN HEAD SCREW M5X16	2	
013	233165-5	COMPRESSION SPRING 28	1	
014	344464-1	SPRING HOLDER	1	
015	257163-5	RING 6	1	
016	253804-1	FLAT WASHER 6	1	
017	922331-6	HEX. SOCKET HEAD BOLT M6X20	1	
018	344415-4	LINK PLATE	1	
019	257163-5	RING 6	1	
020	253804-1	FLAT WASHER 6	1	
021	961018-5	STOP RING E-5	1	
022	231240-1	COMPRESSION SPRING 7	1	
023	256633-1	PIN 6	1	
024	231928-3	RING SPRING 8	1	
025	961057-5	RETAINING RING S-17	1	
026	211275-8	BALL BEARING 6003DDW	1	
027	285686-3	BEARING RETAINER 94	1	
028	240001-8	FAN 80	1	
029	516723-5	ARMATURE ASS'Y 220V INC. 28,30,31	1	
030	681642-5	INSULATION WASHER	1	
031	211061-7	BALL BEARING 6000LLB	1	
032	416107-6	BAFFLE PLATE	1	
033	665865-3	POWER SUPPLY CORD 1.0-2-2.5	1	
034	682540-6	CORD GUARD 9.3-90	1	
035	687052-4	STRAIN RELIEF	1	
036	265995-6	TAPPING SCREW 4X18	2	
037	414546-4	CAM	1	
038	416000-4	LOCK OFF LEVER	1	
039	411478-6	SWITCH BUTTON	1	
040	183840-2	HANDLE SET INC. 45	1	
041	231457-6	COMPRESSION SPRING 3	1	
042	651923-1	SWITCH TG70B	1	
043	415999-0	SWITCH LEVER	1	
044	265995-6	TAPPING SCREW 4X18	4	
045	183840-2	HANDLE SET INC. 40	1	
046	921467-8	HEX. BOLT M8X45	1	
047	262003-4	RUBBER RING 6	1	
048	911323-0	PAN HEAD SCREW M6X16	1	
049	421562-9	GRIP	1	
050	344420-1	GRIP HOLDER	1	
051	911323-0	PAN HEAD SCREW M6X16	1	
052	188386-3	BLADE CASE SET INC. 53	1	
053	819214-8	MAKITA LOGO LABEL	1	
054	344045-1	STOPPER ARM PLATE	1	
055	911113-1	PAN HEAD SCREW M4X10	1	
056	213460-9	O RING 35	1	
057	419277-0	DUST NOZZLE	1	

# SPARE PARTS LIST

MODEL NO. LS1013

ITEM	PART NO.	DESCRIPTION	QTY	NOTE
058	265717-4	SCREW M6X43	1	
059	262001-8	URETHANE RING 5	1	
060	317176-9	STOPPER ARM	1	
061	211021-9	BALL BEARING 607LLB	1	
062	961054-1	RETAINING RING S-14	1	
063	226742-0	SPIRAL BEVEL GEAR 33	1	
064	262074-1	RUBBER RING 20	1	
065	267035-6	FLAT WASHER 14	1	
066	316836-0	BEARING BOX (A)	1	
067	254202-2	KEY 4	1	
068	322899-6	SPINDLE	1	
069	211275-8	BALL BEARING 6003DDW	1	
070	285828-9	BEARING RETAINER 66	1	
071	257022-3	RING 16	1	
072	224333-1	FLANGE 53	1	
073	257262-3	RING 16	1	
074	224333-1	FLANGE 53	1	
075	265355-2	HEX. FLANGE HEAD BOLT M8X20	1	
076	343639-9	CENTER PLATE	1	
077	345226-0	CENTER COVER	1	
078	265324-3	HEX. FLANGE HEAD BOLT M8X12	1	
079	231593-8	TORSION SPRING 36	1	
080	450047-8	SAFETY COVER	1	
081	267136-0	FLAT WASHER 5	1	
082	911213-7	PAN HEAD SCREW M5X12	1	
083	265008-3	+ FLAT HEAD SCREW M5	1	
084	911223-4	PAN HEAD SCREW M5X16	2	
087	331428-4	PIN 16-113	1	
088	252105-4	HEX. LOCK NUT M8-13	1	
089	941201-0	FLAT WASHER 8	1	
090	317983-0	ARM	1	
091	324183-5	STOPPER PIN	1	
092	213021-5	O RING 5	1	
093	687042-7	STRAIN RELIEF	1	
094	266026-4	TAPPING SCREW BIND CT 4X12	1	
097	265455-8	HEX. BOLT M8X28	2	
098	265412-6	HEX. BOLT M8X20	2	
099	216003-6	STEEL BALL 10	2	
100	345418-1	GUIDE PLATE	1	
101	231626-9	TORSION SPRING 28	1	
102	413067-3	INDICATION PLATE	2	
103	911114-9	PAN HEAD SCREW M4X10	2	
104	233168-9	COMPRESSION SPRING 5	2	
105	266131-7	H.S.SET SCREW(FLATPOINT)M12X12	2	
106	253852-0	FLAT WASHER 8	1	
107	265442-7	HEX. BOLT M8X40	1	
108	415209-5	KERF BOARD	2	
109	266026-4	TAPPING SCREW BIND CT 4X12	4	
110	252014-7	HEX. LOCK NUT M6-10	1	
111	344463-3	SUB FENCE PLATE	1	
112	154564-7	SUB FENCE COMPLETE	1	
113	253715-0	FLAT WASHER 6	1	
114	912357-6	COUNTERSUNK HEAD SCREW M6X35	1	
115	251887-5	SCREW M6X10	1	
116	265488-3	HEX. BOLT M8X30	4	
117	316840-9	GUIDE RULE	1	
118	266132-5	SCREW M8X320	1	
119	931402-8	HEX. NUT M8	1	
120	271314-6	GRIP 40	1	
121	331491-7	PIN 9-200	1	
122	152541-3	KNOB 48 COMPLETE	1	

# SPARE PARTS LIST

MODEL NO. LS1013

ITEM	PART NO.	DESCRIPTION	QTY	NOTE
123	421563-7	CAP 10	1	
124	322924-3	COIL SPRING	1	
125	322909-9	LOCK PIN	1	
126	266034-5	TAPPING SCREW CT 4X16	1	
127	232075-3	LEAF SPRING	1	
128	961018-5	STOP RING E-5	1	
129	231307-5	COMPRESSION SPRING 6	1	
130	316899-6	PIN HOLDER	1	
131	344411-2	SLIDE STOPPER	1	
132	251267-5	+ PAN HEAD SCREW M6	1	
133	256196-7	PIN 5	1	
134	266034-5	TAPPING SCREW CT 4X16	1	
135	344412-0	STOPPER HOLDER	1	
136	331493-3	TURN STOPPER	1	
137	266034-5	TAPPING SCREW CT 4X16	2	
138	266026-4	TAPPING SCREW BIND CT 4X12	1	
139	816128-2	POINTER	1	
140	153832-5	TURN BASE COMPLETE	1	
141	921356-7	HEX. BOLT M6X35	2	
142	152542-1	SQUARE ROD COMPLETE	1	
143	151459-5	ARM HOLDER COMPLETE	1	
144	251668-7	HEX. BOLT M10X90	1	
145	911113-1	PAN HEAD SCREW M4X10	1	
146	416006-2	LEVER 100	1	
147	252144-4	HEX. NUT M10-17	1	
148	253024-7	FLAT WASHER 10	1	
149	152540-5	BEARING BOX B COMPLETE	1	
150	922451-6	HEX. SOCKET HEAD BOLT M8X30	2	
151	266026-4	TAPPING SCREW BIND CT 4X12	2	
152	816326-8	MITER SCALE PLATE	1	
153	344477-2	SLIDE PLATE	2	
154	251887-5	SCREW M6X10	2	
155	286212-1	CAP 20	4	
156	153889-6	BASE COMPLETE	1	
157	911108-4	PAN HEAD SCREW M4X8	1	
158	645185-1	NOISE SUPPRESSOR	1	
159	645185-1	NOISE SUPPRESSOR	1	
160	688131-1	LINE FILTER	1	
161	651941-9	SWITCH V-15-2A5	1	
162	253804-1	FLAT WASHER 6	1	
163	941201-0	FLAT WASHER 8	1	
164	231266-3	COMPRESSION SPRING 5	1	
165	271601-3	KNOB 20	1	
166	251961-9	H.S.SET SCREW(FLAT POINT)M6X10	1	
900	345616-7	LOCK PLATE	1	
901	324654-2	LOCK PIN 8	1	
903	324640-3	ROD 8	1	
904	345829-0	LOCK LEVER	1	
905	421589-9	CAP	1	
906	922107-1	HEX. SOCKET HEAD BOLT M4X8	2	
907	911113-1	PAN HEAD SCREW M4X10	2	
A01	762001-3	TRIANGULAR RULE	1	
A02	782212-4	SOCKET WRENCH 13	1	
A03	122852-0	DUST BAG ASS'Y	1	
A04	411478-6	SWITCH BUTTON	2	
A05	322932-4	HOLDER 255	2	
A06	251887-5	SCREW M6X10	1	
A07	322983-7	WISE ROD	1	
A08	271309-9	KNOB 40	1	
A09	122538-6	WISE ASS'Y	1	
		INC. A06-A08,A10-A12		

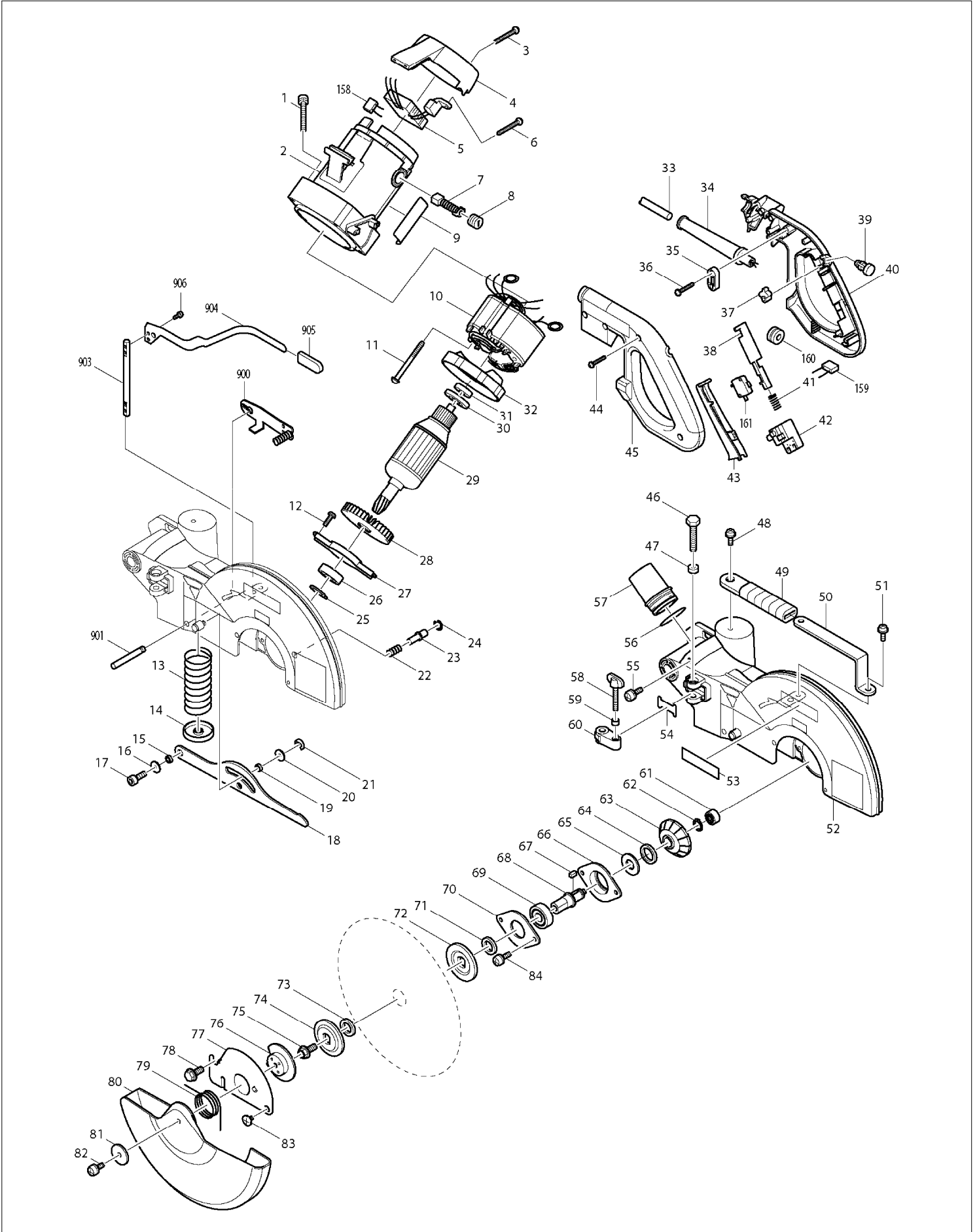
# SPARE PARTS LIST

MODEL NO. LS1013

ITEM	PART NO.	DESCRIPTION	QTY	NOTE
A10	253804-1	FLAT WASHER 6	1	
A11	343651-9	WISE PLATE	1	
A12	251370-2	+ PAN HEAD SCREW M5	1	
A13	151917-1	KERF BLOCK COMPLETE	1	
A14	251314-2	+ SCREW M4X12	2	
E01	646049-2	CHOKE COIL	1	
E02	646080-8	CHOKE COIL	1	
E06	231633-2	TORSION SPRING 8	1	
E20	B-04597	TCT SAW BLADE 260X30X70T	1	
E24	153896-9	SUB FENCE R COMPLETE	1	
E27	421863-5	CAP	1	
E28	345494-5	STOPPER	1	
E29	266050-7	TAPPING SCREW 4X30	2	
E30	419075-2	ROD HOLDER	1	
E31	961012-7	STOP RING E-6	2	
E32	345610-9	GUARD PLATE	1	
E33	421916-0	GUARD	1	
E34	911114-9	PAN HEAD SCREW M4X10	1	
E37	251887-5	SCREW M6X10	2	

# SERVICE DRAWING

MODEL NO. LS1013



# SERVICE DRAWING

MODEL NO. LS1013

