

# SPARE PARTS LIST

MODEL NO. EBH341U

ITEM	PART NO.	DESCRIPTION	QTY	NOTE
001	961057-5	RETAINING RING S-17	1	
002	922331-6	HEX. SOCKET HEAD BOLT M6X20	4	
003	318421-5	CLUTCH CASE	1	
004	451157-4	SPACER	1	
005	210126-2	BALL BEARING 6003LLU	1	
006	962153-2	RETAINING RING R-35	1	
007	165577-3	CLUTCH DRUM	1	
008	195144-0	STAND SET INC. 9	1	
009	911218-7	PAN HEAD SCREW M5X14	2	
010	961151-3	RETAINING RING S-32	1	
011	424204-4	DAMPER	1	
012	318453-2	PIPE RETAINER	1	
013	922231-0	HEX. SOCKET HEAD BOLT M5X20	3	
014	318454-0	PIPE BRACKET	1	
015	922331-6	HEX. SOCKET HEAD BOLT M6X20	1	
016	922201-9	HEX. SOCKET HEAD BOLT M5X8	1	
017	443146-3	FELT RING 8	1	
018	922341-3	HEX. SOCKET HEAD BOLT M6X25	2	
019	318422-3	PIPE CLAMP	1	
020	318423-1	PIPE HOLDER	1	
021	233202-5	COMPRESSION SPRING 20	1	
022	318424-9	HANDLE HOLDER	1	
023	318425-7	HANDLE CLAMP	1	
024	168796-0	KNOB 57	1	
025	922256-4	HEX. SOCKET HEAD BOLT M5X35	1	
026	266326-2	TAPPING SCREW 4X18	1	
027	188660-9	GRIP SET INC. 28	1	
028	188660-9	GRIP SET INC. 27	1	
029	331863-6	HANDLE 22	1	
031	922256-4	HEX. SOCKET HEAD BOLT M5X35	1	
032	451525-1	WIRE CLAMP	2	
033	325675-7	SHAFT	1	
034	898103-0	CAUTION LABEL	1	
035	801D19-4	SERIAL NO. LABEL	1	
036	140042-3	SHAFT PIPE COMPLETE	1	
041	125558-9	HANGER ASSEMBLY INC. 45	1	
045	922232-8	HEX. SOCKET HEAD BOLT M5X20	1	
047	452259-9	PROTECTOR	1	
048	266326-2	TAPPING SCREW 4X18	1	
049	346074-0	CUTTER	1	
050	135398-7	PROTECTOR EXTENSION ASSY INC. 48,49	1	
051	346072-4	PROTECTOR CLAMP	1	
052	451090-0	PROTECTOR COVER	1	
053	266579-3	HEX SOCKET HEAD BOLT M6X30	2	
054	922218-2	H.S.H.BOLT M5X14 WITH WR	2	
055	126310-8	GEAR CASE ASSEMBLY INC. 57-64,68-73	1	
057	187644-4	CUTTER SHAFT SET	1	
058	211064-1	BALL BEARING 6000	1	
059	211062-5	BALL BEARING 6000ZZ	1	
060	961006-2	RETAINING RING S-10	1	
061	962105-3	RETAINING RING R-26	1	
062	922353-6	HEX.SOCKET HEAD BOLT M6X30	1	
063	265590-2	+HEX.BOLT M8X10 WITH R	1	
064	210081-8	BALL BEARING 629ZZ	1	
068	210116-5	BALL BEARING 6201LLU	1	

# SPARE PARTS LIST

MODEL NO. EBH341U

ITEM	PART NO.	DESCRIPTION	QTY	NOTE
069	962151-6	RETAINING RING R-32	1	
070	332114-0	RECEIVE WASHER	1	
071	346355-2	CLAMP WASHER	1	
072	168526-9	CUP	1	
073	264025-0	HEX. NUT M10-17	1	
074	125545-8	CONTROL LEVER ASSEMBLY INC. 75-88,233	1	
075	183A09-4	LEVER CASE SET INC. 87	1	
076	233540-5	TORSION SPRING 11	1	
077	451084-5	THROTTLE LEVER	1	
078	233541-3	TORSION SPRING 7	1	
079	451083-7	LOCK OFF LEVER	1	
080	451213-0	CORRUGATE TUBE	1	
081	168539-0	CONTROL CABLE	1	
082	451081-1	CABLE HOLDER	1	
083	451082-9	SWITCH LEVER	1	
084	232251-9	LEAF SPRING	1	
085	455722-1	SWITCH COVER	1	
086	638663-8	LEAD UNIT	1	
087	183A09-4	LEVER CASE SET INC. 75	1	
088	266326-2	TAPPING SCREW 4X18	3	
089	318614-4	BLOWER HOUSING	1	
090	922223-9	H.S.H.BOLT M5X16 WITH WR	4	
093	253762-1	FLAT WASHER 8	2	
094	267832-0	WAVE WASHER 10	2	
095	266571-9	SHOULDER HEX. BOLT M8X23	2	
096	125757-3	CLUTCH ASSEMBLY INC. 97	1	
097	AN02010000	TENSION SPRING 9	1	
098	265577-4	HEX HEAD BOLT M6X16	1	
099	318611-0	FLYWHEEL	1	
100	168501-5	IGNITION COIL	1	
101	922138-0	H.S.H.BOLT M4X20 WITH WR	2	
102	324891-8	PLUG CAP SPRING	1	
103	424105-6	PLUG CAP	1	
104	638664-6	LEAD UNIT	1	
105	638665-4	LEAD UNIT	1	
106	424313-9	GROMMET	1	
107	345963-6	CLAMP	1	
108	819312-8	MAKITA LOGO LABEL	1	
109	451876-2	PLUG COVER	1	
110	266572-7	+ TRUSS HEAD SCREW M5X8	1	
111	898102-2	4STROKE INDICATION LABEL	1	
112	911213-7	PAN HEAD SCREW M5X12	3	
113	451875-4	CYLINDER COVER	1	
114	266440-4	HEX SOCKET HEAD BOLT M5X40	2	
115	265184-3	+TRUSS HEAD SCREW M5X5	1	
116	345915-7	MUFFLER COVER	1	
117	168469-5	EXHAUST MUFFLER	1	
118	345916-5	MUFFLER GASKET	1	
119	324980-9	SPARK ARRESTER	1	
120	922217-4	HEX. SOCKET HEAD BOLT M5X14	4	
121	140419-2	ROCKER COVER COMPLETE	1	
122	162307-3	ROCKER COVER GASKET	1	
123	168534-0	SPARK PLUG	1	
124	162274-2	CAM GEAR COVER GASKET	1	
125	318443-5	CAM GEAR COVER	1	
126	922212-4	HEX. SOCKET HEAD BOLT M5X12	3	
127	450565-6	OIL GAUGE	1	

# SPARE PARTS LIST

MODEL NO. EBH341U

ITEM	PART NO.	DESCRIPTION	QTY	NOTE
128	424100-6	GASKET	1	
129	282020-8	HOSE CLAMP	1	
130	424202-8	OIL TUBE	1	
131	325666-8	OIL WEIGHT	1	
132	162308-1	CASE GASKET	1	
133	318612-8	OIL CASE	1	
134	922217-4	HEX. SOCKET HEAD BOLT M5X14	4	
135	266573-5	HEX. SOCKET HEAD BOLT M5X33	4	
136	922222-1	HEX. SOCKET HEAD BOLT M5X16	4	
137	922112-8	HEX. SOCKET HEAD BOLT M4X10	1	
138	318440-1	RETAINER PLATE	1	
139	346083-9	LEAD VALVE	1	
140	424201-0	CHECK VALVE	2	
141	135373-3	CYLINDER BLOCK ASSEMBLY INC. 135,136,140,147	1	
142	125554-7	ROCKER ARM ASSEMBLY	2	
143	325912-9	SPRING RETAINER	2	
144	234181-0	COMPRESSION SPRING 11	2	
145	256200-2	PIN 5	1	
146	256866-8	ROD 2.5	2	
147	424200-2	SPACER	2	
148	268239-3	PIN 4	1	
149	313169-4	CAM LIFTER	2	
150	325913-7	EXHAUST VALVE	1	
151	325914-5	INTAKE VALVE	1	
152	125552-1	CAM GEAR ASSEMBLY	1	
153	268238-5	PIN 5	1	
154	195141-6	PISTON RING SET	1	
155	318613-6	PISTON	1	
156	257796-6	PISTON PIN	1	
157	233983-1	CLIP	2	
158	254040-2	WOODRUFF KEY 3	1	
159	213537-0	OIL SEAL 12	1	
160	267425-3	FLAT WASHER 26	1	
161	125756-5	CRANKSHAFT ASSEMBLY	1	
162	213148-1	OIL SEAL 10	1	
163	125472-9	FUEL TANK CAP ASSEMBLY INC. 164,165	1	
164	140435-4	FUEL TANK CAP	1	
165	140436-2	STRAP COMPLETE	1	
166	810455-9	CAUTION PLATE	1	
167	424104-8	DAMPER	1	
168	451877-0	FUEL TANK	1	
169	163447-0	GASOLINE FILTER	1	
170	345920-4	HOSE CLAMP	1	
171	424103-0	PLATE	1	
172	424102-2	PLATE	1	
173	162309-9	TUBE	1	
174	126475-6	STARTER COVER ASSEMBLY INC. 175-180	1	
175	168827-5	PULLEY	1	
176	266580-8	TAPPING SCREW 5X10	1	
177	451923-9	REEL	1	
178	232257-7	SPIRAL SPRING	1	
179	424317-1	STARTER KNOB	1	
180	444018-5	STARTER ROPE	1	
181	911218-7	PAN HEAD SCREW M5X14	4	
182	816448-4	EBH341U MODEL NO. LABEL	1	
183	162310-4	TANK GUARD	1	
184	266809-2	P.H.SCREW M5X14 WITH WR	4	
185	325915-3	INTAKE PIPE	1	

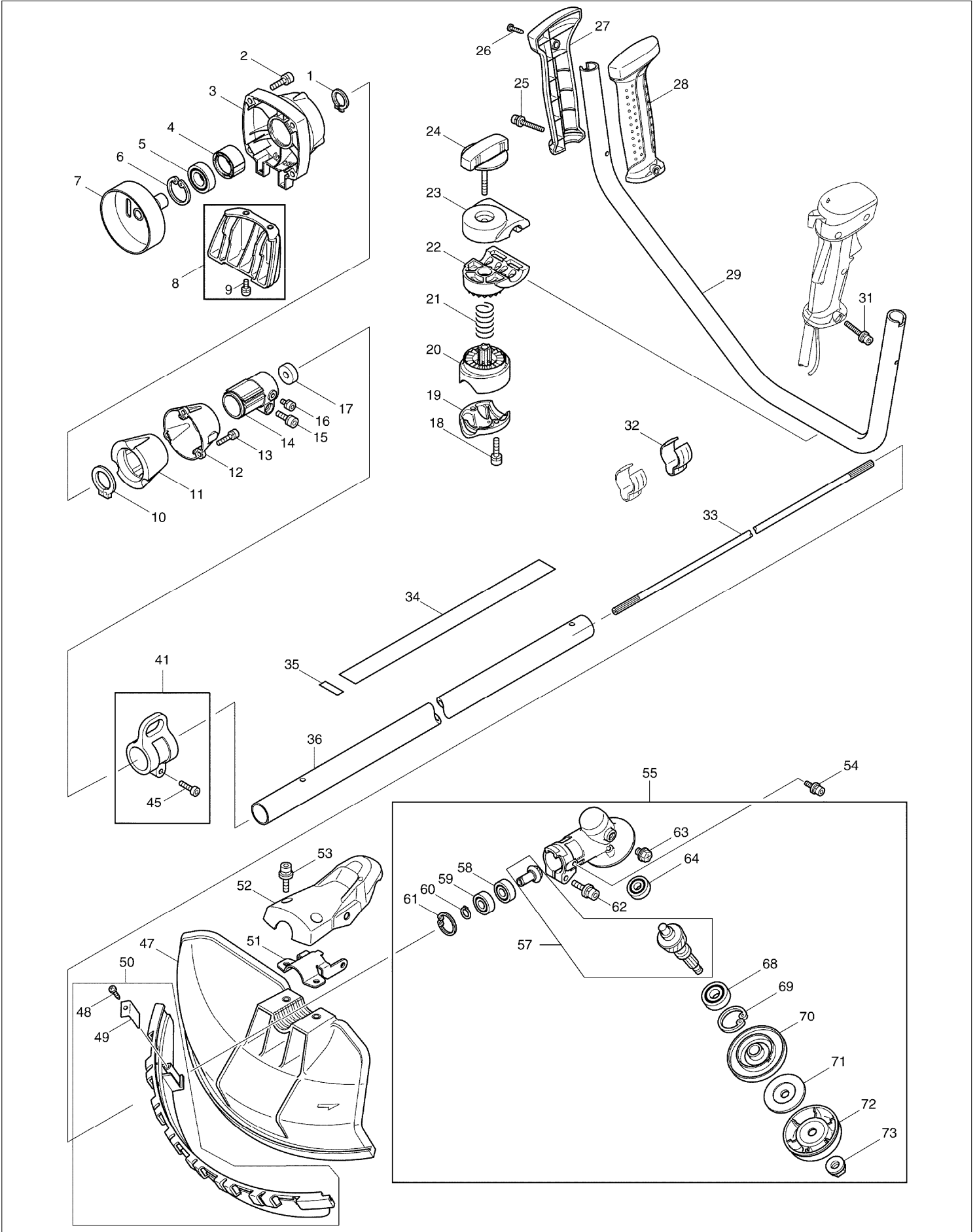
# SPARE PARTS LIST

MODEL NO. EBH341U

ITEM	PART NO.	DESCRIPTION	QTY	NOTE
186	413120-5	INSULATOR GASKET	1	
187	213063-9	O RING 10	1	
188	451874-6	INSULATOR	1	
190	346261-1	CARBURETOR INSULATOR	1	
191	922228-9	H.S.H.BOLT M5X18 WITH WR	2	
192	413138-6	CARBURETOR GASKET	1	
193	450562-2	CLAMP	1	
194	922213-2	H.S.H.BOLT M5X12 WITH WR	1	
195	168561-7	CARBURETOR INC. 196-211	1	
196	325922-6	SWIVEL	1	
197	413140-9	WASHER	1	
198	257964-1	STOP RING E-3	1	
199	WJ00096364	SCREW M3X8 WITH WASHER	2	
200	213538-8	O RING 2	1	
201	325921-8	JET	1	
202	234183-6	CONICAL COMPRESSION SPRING 5-9	1	
203	442155-9	PUMP GASKET	1	
204	168575-6	PUMP DIAPHRAGM	1	
205	266582-4	TAPPING SCREW 3X24	4	
206	346270-0	PRIMER PUMP COVER	1	
207	424314-7	PRIMER PUMP	1	
208	140438-8	AIR PURGE BODY	1	
209	168574-8	METERING DIAPHRAGM	1	
210	442154-1	METERING DIAPHRAGM GASKET	1	
211	140437-0	PUMP BODY INC. 212	1	
212	352010-6	INLET SCREEN	1	
213	345918-1	HOSE CLAMP	1	
214	422055-9	BREATHER PIPE	1	
215	422042-8	PIPE	1	
216	125468-0	CLEANER PLATE ASSEMBLY INC. 217-224	1	
217	451925-5	CHOKE LEVER	1	
218	213540-1	O RING 15	1	
219	424316-3	CHECK VALVE	1	
220	213539-6	O RING 14	1	
221	451924-7	CHECK VALVE PLATE	1	
222	424315-5	CHECK VALVE	1	
223	168577-2	SEPARATOR GASKET	1	
224	168576-4	SEPARATOR PLATE	1	
225	450560-6	CHOKE PLATE	1	
226	423376-2	GASKET	1	
227	345919-9	PLATE	1	
228	265188-5	+PAN HEAD SCREW M5X68	2	
229	443140-5	AIR CLEANER ELEMENT	1	
230	443141-3	AIR CLEANER ELEMENT	1	
231	450561-4	AIR CLEANER COVER	1	
232	911218-7	PAN HEAD SCREW M5X14	1	
233	638671-9	LEAD UNIT	1	
234	413143-3	WASHER	2	
A01	122906-3	BAND ASSY	1	
A02	168578-0	HOOK	1	
A03	242072-1	OIL BOTTLE	1	
A04	783013-3	BOX DRIVER 16-17	1	
A05	783217-7	HEX. WRENCH 5	1	
A06	783202-0	HEX. WRENCH 4	1	
A07	831304-7	ACCESSORY BAG	1	
A08	451252-0	TOOL COVER	1	
A11	195501-2	OIL SET	1	
E02	819430-2	CAUTION TAG	1	

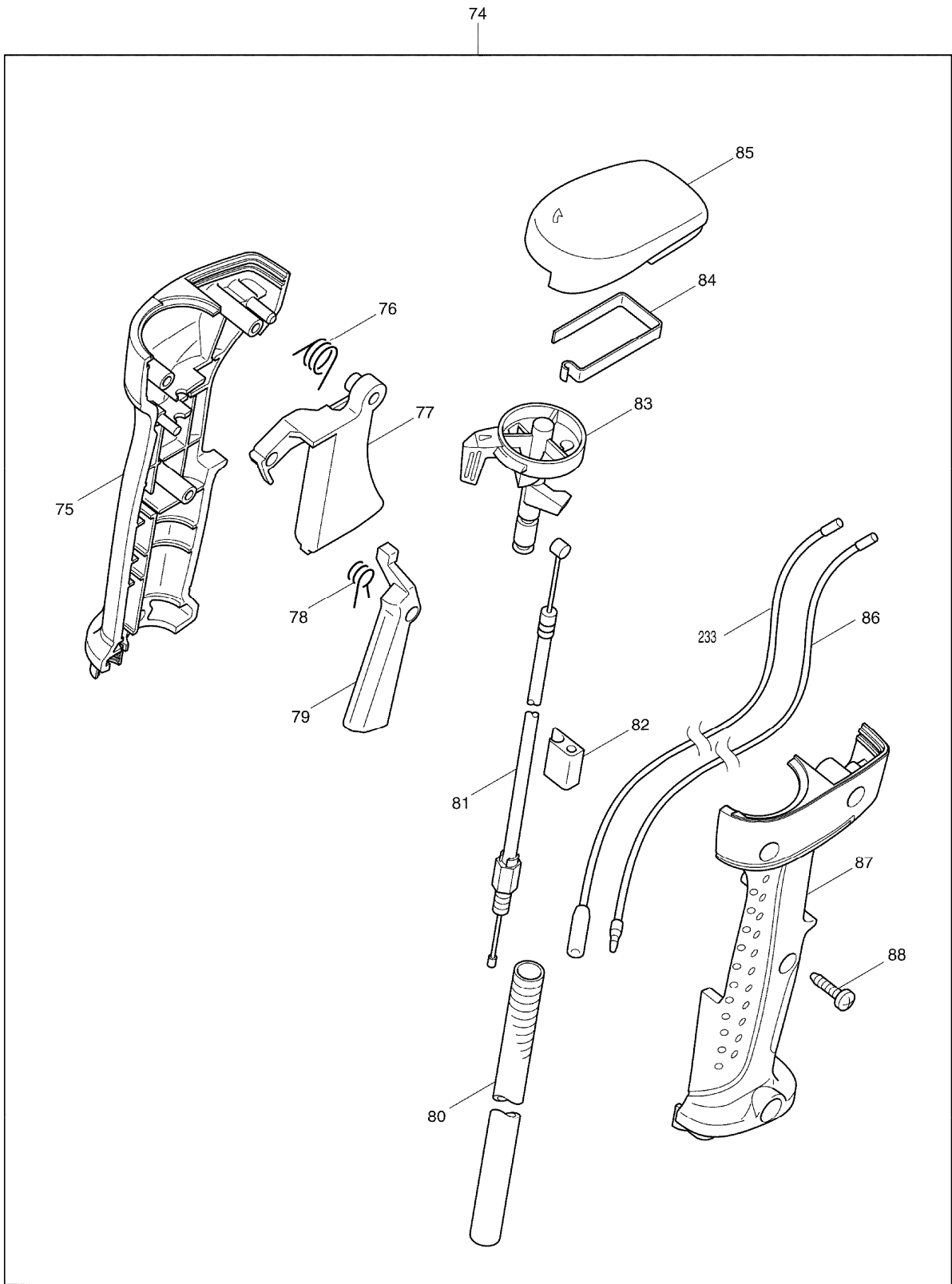
# SERVICE DRAWING

MODEL NO. EBH341U



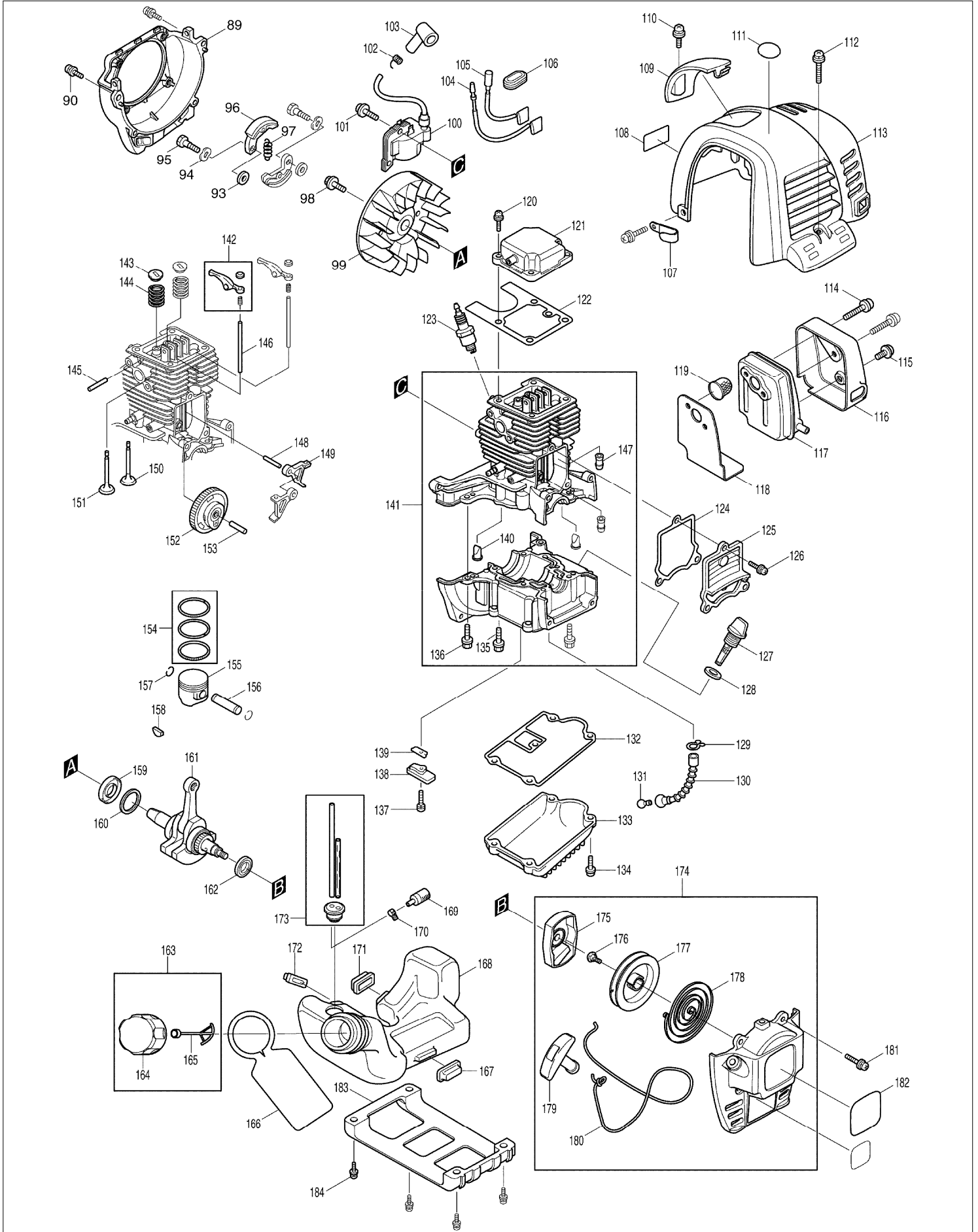
# SERVICE DRAWING

MODEL NO. EBH341U



# SERVICE DRAWING

MODEL NO. EBH341U



# SERVICE DRAWING

MODEL NO. EBH341U

