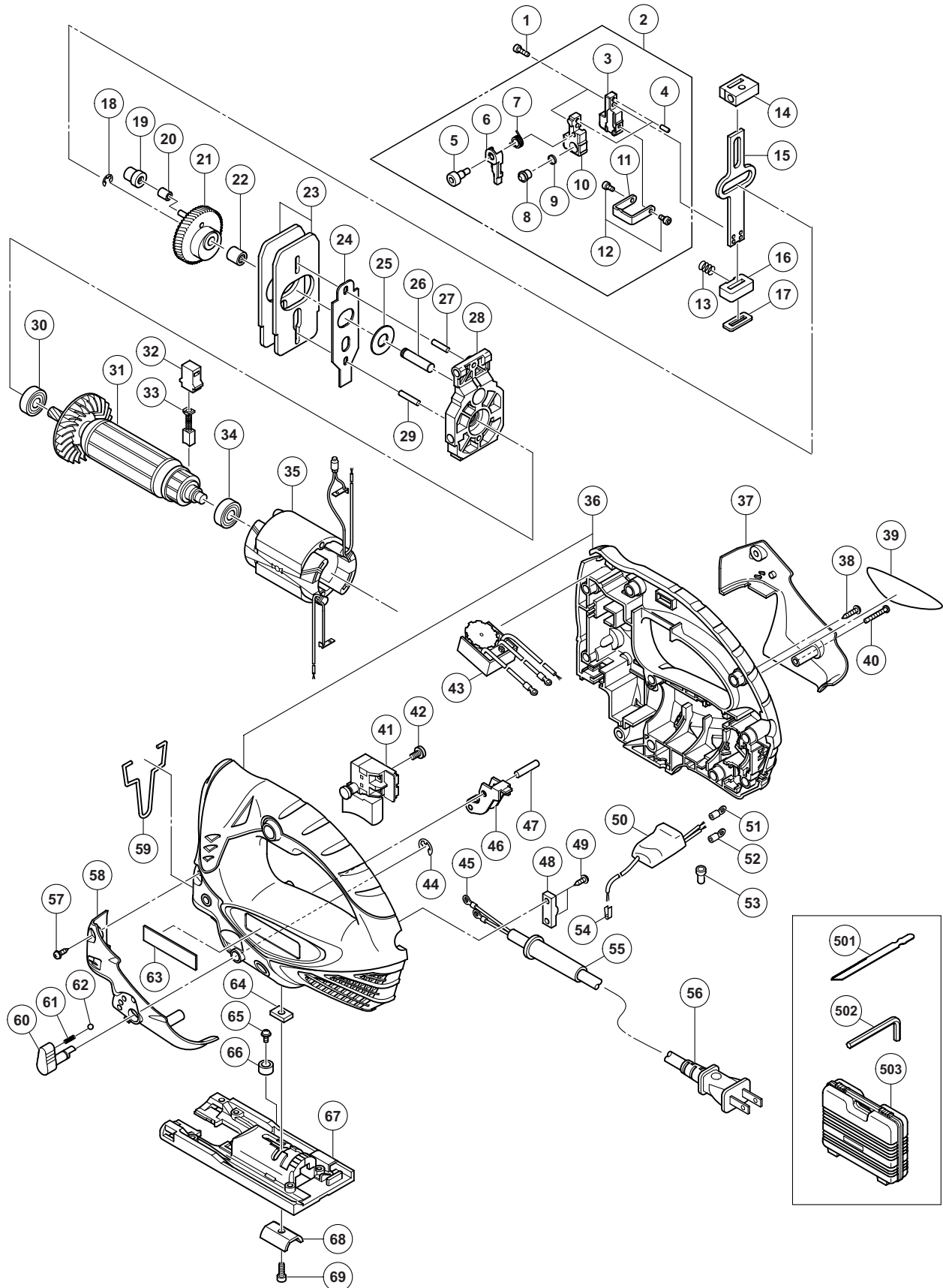


ELECTRIC TOOL PARTS LIST

JIG SAW Model CJ 90VST

2010·6·14
(E1)



PARTS

CJ 90VST

ITEM NO.	CODE NO.	DESCRIPTION	NO. USED	REMARKS
1	332-446	SEAL LOCK HEX. SOCKET HD. BOLT M3 X 10	2	
2	332-443	BLADE HOLDER ASS'Y	1	INCLUD. 3-12
3	332-429	BLADE HOLDER (A)	1	
4	332-436	PIN D3	2	
5	332-434	SPECIAL BOLT M4	1	
6	332-432	LEVER (A)	1	
7	332-438	SPRING (D)	1	
8	332-435	HOLDER PIN (B)	1	
9	332-439	SPRING (B)	1	
10	332-430	BLADE HOLDER (B)	1	
11	332-426	HOLDER PLATE	1	
12	325-077	SEAL LOCK HEX. SOCKET HD. BOLT M3 X 6	2	
13	332-437	SPRING	1	
14	332-427	PLUNGER HOLDER (A)	1	
15	332-422	PLUNGER	1	
16	332-428	PLUNGER HOLDER (B)	1	
17	332-441	PACKING	1	
18	994-251	RETAINING RING FOR D7 SHAFT	1	
19	332-829	CONNECTING PIECE (A)	1	
20	325-242	NEEDLE BEARING	1	
21	332-445	GEAR	1	
22	332-983	NEEDLE BEARING	1	
23	332-424	BALANCE WEIGHT	2	
24	332-423	ORBITAL CAM	1	
25	957-540	WASHER (A)	1	
26	332-828	SPINDLE	1	
27	998-426	NEEDLE ROLLER	1	
28	332-444	GEAR HOLDER ASS'Y	1	INCLUD. 26, 27, 29
29	943-364	NEEDLE ROLLER D4 X 20	1	
30	608-VVM	BALL BEARING 608VVC2PS2L	1	
* 31	360-893C	ARMATURE 110V	1	
* 31	360-893U	ARMATURE ASS'Y 120V-127V	1	INCLUD. 30, 34
* 31	360-893E	ARMATURE 220V-240V	1	
32	955-203	BRUSH HOLDER	2	
33	999-041	CARBON BRUSH (1 PAIR)	2	
34	608-VVM	BALL BEARING 608VVC2PS2L	1	
* 35	340-773C	STATOR 110V	1	
* 35	340-774C	STATOR 110V	1	FOR TPE, GBR (110V)
* 35	340-773D	STATOR 120V	1	
* 35	340-774E	STATOR 220V-240V	1	
* 35	340-773E	STATOR 220V-240V	1	FOR BRA, PAN (220V), THA, INA, SIN, HKG, KUW, IND
36	332-442	HOUSING (A). (B) SET	1	
37	332-419	SIDE COVER (B)	1	
38	301-653	TAPPING SCREW (W/FLANGE) D4 X 20 (BLACK)	8	
39		NAME PLATE	1	
40	332-447	MACHINE SCREW M4 X 30 (BLACK)	1	
41	325-085	SWITCH (E) (1P SCREW TYPE) W/LOCK	1	INCLUD. 42
42	305-499	MACHINE SCREW (W/WASHER) M3.5 X 6	4	
* 43	332-831	CONTROLLER 110V	1	

PARTS

CJ 90VST

ITEM NO.	CODE NO.	DESCRIPTION	NO. USED	REMARKS
* 43	332-834	CONTROLLER 120V-127V	1	
* 43	332-832	CONTROLLER 220V-230V	1	
* 43	332-833	CONTROLLER 240V	1	
44	673-489	RETAINING RING (E-TYPE) FOR D5 SHAFT	1	
45	980-063	TERMINAL	2	
46	332-448	ROLLER HOLDER	1	
47	332-433	NEEDLE ROLLER	1	
48	960-266	CORD CLIP	1	
49	984-750	TAPPING SCREW (W/FLANGE) D4 X 16	2	
* 50	332-835	VARISTOR	1	FOR TPE, NZL, AUS, GBR, SAF, EUROPE, FIN, NOR, SWE, DEN, AUT, TUR, SUI, CHN, LIB
* 51	311-741	TERMINAL	1	FOR TPE, NZL, AUS, GBR, SAF, EUROPE, FIN, NOR, SWE, DEN, AUT, TUR, SUI, CHN, LIB
52	960-356	TERMINAL (A) M3.5 (10 PCS.)	1	
53	959-140	CONNECTOR 50091 (10 PCS.)	1	
* 54	302-488	EARTH TERMINAL	1	FOR TPE, NZL, AUS, GBR, SAF, EUROPE, FIN, NOR, SWE, DEN, AUT, TUR, SUI, CHN, LIB
* 55	930-487	CORD ARMOR D8.2	1	
* 55	930-026	CORD ARMOR D10.2	1	
* 56	500-234Z	CORD	1	(CORD ARMOR D8.2)
* 56	500-247Z	CORD	1	(CORD ARMOR D8.2) FOR FIN, NOR, SWE, DEN
* 56	500-240Z	CORD	1	(CORD ARMOR D8.2) FOR USA, CAN, PAN (120V), MEX
* 56	500-439Z	CORD	1	(CORD ARMOR D8.2) FOR NZL, AUS
* 56	500-455Z	CORD	1	(CORD ARMOR D8.2) FOR THA, CHN
* 56	500-450Z	CORD	1	(CORD ARMOR D8.2) FOR GBR (230V), HKG
* 56	500-423Z	CORD	1	(CORD ARMOR D8.2) FOR SIN, KUW
* 56	323-974	CORD	1	(CORD ARMOR D10.2) FOR VEN, TPE
* 56	500-461Z	CORD	1	(CORD ARMOR D8.2) FOR GBR (110V)
* 56	500-447Z	CORD	1	(CORD ARMOR D8.2) FOR SUI
* 56	500-487Z	CORD	1	(CORD ARMOR D8.2) FOR BRA
57	325-083	TAPPING SCREW (W/FLANGE) D4 X 12 (BLACK)	2	
58	332-418	SIDE COVER (A)	1	
59	332-440	GUARD BAR	1	
60	332-421	CHANGE KNOB	1	
61	982-454	SPRING (C)	1	
62	959-155	STEEL BALL D3.97 (10 PCS.)	1	
63		HITACHI LABEL	1	
64	332-425	PLATE NUT	1	
65	315-500	MACHINE SCREW (W/WASHER) M4 X 8 (BLACK)	1	
66	321-576	RUBBER BUSHING	1	
67	321-573	BASE	1	
68	321-575	BASE LOCKER	1	
69	949-821	HEX. SOCKET HD. BOLT M5 X 16 (10 PCS.)	1	

STANDARD ACCESSORIES

CJ 90VST

ITEM NO.	CODE NO.	DESCRIPTION	NO. USED	REMARKS
501	879-357	JIG SAW BLADES NO. 41 (5 PCS.)	1	
502	944-458	HEX. BAR WRENCH 4MM	1	
* 503	332-420	CASE	1	EXCEPT FOR VEN, TPE, THA, INA, SIN, HKG, KUW, CHN, IND, LIB

OPTIONAL ACCESSORIES

ITEM NO.	CODE NO.	DESCRIPTION	NO. USED	REMARKS
601	879-336	JIG SAW BLADES NO. 11 (5 PCS.)	1	
602	879-337	JIG SAW BLADES NO. 12 (5 PCS.)	1	
603	879-338	JIG SAW BLADES NO. 15 (5 PCS.)	1	
604	879-339	JIG SAW BLADES NO. 16 (5 PCS.)	1	
605	879-340	JIG SAW BLADES NO. 21 (5 PCS.)	1	
606	879-341	JIG SAW BLADES NO. 22 (5 PCS.)	1	
607	963-400	JIG SAW BLADES NO. 97 FOR STAINLESS (5PCS)	1	
608	321-593	GUIDE	1	
609	321-992	SUB BASE (A) SET (STEEL)	1	INCLUD. 611
610	321-993	SUB BASE (B) SET (PLASTIC)	1	INCLUD. 611
611	321-996	SPECIAL BOLT	4	
612	321-591	DUST COLLECTOR	1	
613	325-149	GREASE (MOLUB-ALLOY NO. 777-1) 75G	1	
614	321-590	TABLE INSERT	1	