

SPARE PARTS LIST

MODEL NO. DCS430

| ITEM | PART NO. | DESCRIPTION | QTY | NOTE |
|------|-----------|------------------------------|-----|------|
| 001 | 908005205 | FILLISTER HEAD SCREW M5X20 | 4 | |
| 002 | 001142012 | CRAMP | 1 | |
| 003 | 965401011 | RUBBER BUSHING | 1 | |
| 005 | 965525042 | GASKET | 1 | |
| 006 | 020130030 | CYLINDER/PISTON CPL. | 1 | |
| | | INC. 7 | | |
| 007 | 032132011 | PISTON ASSY.(40MM) | 1 | |
| | | INC. 8-10 | | |
| 008 | 021132230 | PISTONRING(40MM) | 1 | |
| 009 | 001132010 | PISTON PIN | 1 | |
| 010 | 020132050 | SPRING RING | 2 | |
| 011 | 962900050 | RADIAL RING | 1 | |
| 012 | 020111631 | CRANKCASE(MAG.) | 1 | |
| 013 | 936430160 | SPIRAL CLAMPING PIN | 2 | |
| 014 | 965525002 | GASKET | 1 | |
| 015 | 960102129 | BALLBEARING 6201 | 1 | |
| 016 | 939620371 | KEY | 1 | |
| 017 | 020120010 | CRANKSHAFT | 1 | |
| 018 | 962211030 | NEEDLE CAGE | 1 | |
| 019 | 027213520 | HEXAGONAL HEAD SCREW | 1 | |
| 020 | 020111660 | CRANKCASE CPL.(CL.) | 1 | |
| | | INC. 21-23 | | |
| 021 | 027213320 | LEAF SPRING | 1 | |
| 022 | 934950160 | CLAMPING SLEEVE | 1 | |
| 023 | 960102159 | BALL BAERING 6202 | 1 | |
| 024 | 027213270 | SPRING | 1 | |
| 025 | 027213510 | RING | 1 | |
| 026 | 027213500 | SHOULDER NUT | 1 | |
| 027 | 962900052 | RADIAL RING | 1 | |
| 028 | 010114032 | OIL TANK PLUG ASS'Y | 1 | |
| | | INC. 29 | | |
| 029 | 963100051 | GASKET | 1 | |
| 031 | 908605145 | FILLISTER HEAD SCREW M5X14 | 1 | |
| 032 | 020173612 | COVER FOR PREFILTER | 1 | |
| 033 | 020173011 | PREFILTER | 1 | |
| 034 | 908105205 | COUNTERSUNK SCREW M5X20 | 1 | |
| 035 | 965401011 | RUBBER BUSHING | 1 | |
| 036 | 908005305 | FILLSTER HEAD SCREW M5X30 | 6 | |
| 037 | 923305000 | SQUARE NUT | 1 | |
| 038 | 020111070 | CRAMP | 1 | |
| 039 | 980115888 | LABEL | 1 | |
| 040 | 957605112 | SHORT-CIRCUIT SWITCH CPL. | 1 | |
| 041 | 020250020 | SPIKE BAR ASSY. | 1 | |
| | | INC. 42 | | |
| 042 | 908005095 | SCREW M5X9 | 2 | |
| 043 | 389213080 | TENSIONING SCREW | 1 | |
| 044 | 001213020 | NUT WITH PIVOT | 1 | |
| 045 | 905808305 | GUDGEON M8X30 | 1 | |
| 046 | 020111172 | SPIKE BAR ASSY. | 1 | |
| 047 | 915535100 | THREAD FORMING SCREW 3.5X9.5 | 1 | |
| 048 | 010245010 | VENT VALVE, OIL | 1 | |
| 049 | 908005125 | FILLISTER HEAD SCREW M5X12 | 1 | |
| 050 | 020111082 | CHAIN CATCH | 1 | |
| 051 | 001111011 | SPECIAL SCREW M12 | 3 | |
| 054 | 957310027 | TUBULAR HANDLE ASSY. | 1 | |
| | | INC. 55-57 | | |
| 055 | 965403490 | RUBBER BUFFER | 1 | |
| 056 | 021114051 | FIXING BUSH | 1 | |
| 057 | 908005305 | FILLSTER HEAD SCREW M5X30 | 1 | |
| 058 | 913455164 | SCREW 5.5X16 | 2 | |
| 059 | 020310601 | COVER | 1 | |

SPARE PARTS LIST

MODEL NO. DCS430

| ITEM | PART NO. | DESCRIPTION | QTY | NOTE |
|------|-----------|--|-----|------|
| 060 | 913455164 | SCREW 5.5X16 | 2 | |
| 061 | 020114640 | TANK ASSY. INC. 62,64,66-70,72-74 | 1 | |
| 062 | 965451901 | TANK PLUG ASSY.(FUEL) INC. 63 | 1 | |
| 063 | 963232045 | PACKING RING INC. 65 | 1 | |
| 064 | 963601120 | SUCTION HEAD | 1 | |
| 065 | 963601240 | FELT | 1 | |
| 067 | 957114011 | VENT VALVE ASSY. | 1 | |
| 068 | 020117160 | BEND SPRING | 1 | |
| 069 | 020117301 | CATCH LEVER | 1 | |
| 070 | 020117290 | THROTTLE LEVER/LINKAGE CPL. INC. 71 | 1 | |
| 071 | 020117273 | SPRING | 1 | |
| 072 | 965404521 | GASKET | 1 | |
| 073 | 965404460 | FUEL LINE | 1 | |
| 074 | 935932320 | CYLINDRICAL PIN 3.25X32 | 3 | |
| 075 | 913447134 | SCREW 4.7X13 | 3 | |
| 076 | 965403282 | RUBBER BUFFER | 3 | |
| 077 | 908005165 | FILLISTER HEAD SCREW M5X16 | 4 | |
| 078 | 026160640 | STARTER ASSY. INC. 79,80,82-87 | 1 | |
| 079 | 965402262 | STARTER GRIP | 1 | |
| 080 | 020112630 | FAN HOUSING CPL. | 1 | |
| 082 | 020163031 | REWIND SPRING | 1 | |
| 083 | 915535100 | THREAD FORMING SCREW 3.5X9.5 | 3 | |
| 084 | 985000155 | STARTER ROPE | 1 | |
| 085 | 027162070 | CABLE DRUM | 1 | |
| 086 | 924108400 | DISC 8.4 | 1 | |
| 087 | 929108080 | SAFETY DISC | 1 | |
| 088 | 020112010 | AIR DUCT | 1 | |
| 089 | 920308024 | HEXAGONAL NUT M8 | 1 | |
| 090 | 928308001 | SPRING WASHER 8X17 | 1 | |
| 091 | 957604260 | PLUG CAP CPL. INC. 92 | 1 | |
| 092 | 965604180 | SPRING | 1 | |
| 093 | 965603021 | SPARK PLUG BPMR7A | 1 | |
| 094 | 970502050 | TUBE | 1 | |
| 095 | 970502110 | INSULATING HOSE | 1 | |
| 096 | 908605205 | SCREW M5X20 | 2 | |
| 097 | 027140001 | IGNITION ASSY. INC. 98,101 | 1 | |
| 098 | 027141021 | FLYWHEEL ASSY. INC. 99 | 1 | |
| 099 | 108166051 | STARTER RATCHET ASSY. INC. 100 | 1 | |
| 100 | 122166020 | SPRING | 2 | |
| 101 | 020143031 | IGNITION COIL CPL. INC. 102,103 | 1 | |
| 102 | 001147000 | SHORT-CIRCUIT CABLE | 1 | |
| 103 | 970310200 | IGNITION CABLE 14-1/8" | 1 | |
| 104 | 027213452 | HAND GUARD CPL. INC. 105-109 | 1 | |
| 105 | 905005184 | SCREW 5.5X18 | 1 | |
| 106 | 027213221 | DISENGAGING LEVER | 1 | |
| 107 | 027213462 | HAND GUARD | 1 | |
| 108 | 980114237 | LABEL | 1 | |
| 109 | 027213430 | BUSHING SET INC. 110-111 | 1 | |
| 110 | 027213150 | RUBBER BUSH | 1 | |

SPARE PARTS LIST

MODEL NO. DCS430

| ITEM | PART NO. | DESCRIPTION | QTY | NOTE |
|------|-----------|-----------------------------------|-----|------|
| 111 | 027213161 | BUSH | 1 | |
| 112 | 908005205 | FILLISTER HEAD SCREW M5X20 | 1 | |
| 113 | 923208004 | HEXAGONAL NUT M8 | 2 | |
| 114 | 027213652 | CHAIN BRAKE ASSY. INC. 115-132 | 1 | |
| 115 | 027213130 | SHAFT FOR BRAKE LEVER | 1 | |
| 116 | 027213140 | SHAFT FOR LEVER | 1 | |
| 117 | 980114388 | LABEL DCS430 | 1 | |
| 118 | 027213280 | PROTECTION COVER | 1 | |
| 119 | 027213350 | BRAKE HAND HOLDER | 1 | |
| 120 | 913205125 | SCREW M5X12 | 1 | |
| 121 | 027213050 | BRAKE SPRING CPL. | 1 | |
| 122 | 924500049 | DISC | 1 | |
| 123 | 913205125 | SCREW M5X12 | 1 | |
| 124 | 027213111 | COVER PLATE | 1 | |
| 125 | 913205125 | SCREW M5X12 | 1 | |
| 126 | 927304000 | SAFETY WASHER | 1 | |
| 127 | 027111042 | GUIDE PLATE | 1 | |
| 128 | 915535100 | THREAD FORMING SCREW 3.5X9.5 | 1 | |
| 129 | 927304000 | SAFETY WASHER | 1 | |
| 130 | 913205125 | SCREW M5X12 | 1 | |
| 131 | 027213120 | SPRING | 1 | |
| 132 | 027213560 | RUBBER PLATE | 1 | |
| 133 | 020245020 | PRESSURE LINE | 1 | |
| 134 | 020245040 | SUCTION LINE, OIL, ASSY. | 1 | |
| 135 | 027245160 | OIL PUMP CPL. INC.136-138 | 1 | |
| 136 | 030245070 | REPAIR KIT CPL. | 1 | |
| 137 | 027245010 | PUMP DRIVE | 1 | |
| 138 | 030245070 | REPAIR KIT CPL. | 1 | |
| 139 | 908005125 | FILLISTER HEAD SCREW M5X12 | 2 | |
| 140 | 930916160 | SPRING RING | 1 | |
| 141 | 001245320 | STOP RING | 1 | |
| 142 | 027245021 | STOP DISC | 1 | |
| 143 | 962210025 | NEEDLE CAGE | 1 | |
| 144 | 020224070 | RIM SPROCKET | 1 | |
| 145 | 027223101 | CLUTCH DRUM | 1 | |
| 146 | 957180030 | CLUTCH CPL. INC. 147-148 | 1 | |
| 147 | 024184021 | TENSION SPRING | 3 | |
| 148 | 001182060 | GUIDE DISC | 1 | |
| 151 | 020174170 | HEAT SHIELD | 1 | |
| 152 | 965522033 | GASKET | 1 | |
| 153 | 020174160 | MUFFLER | 1 | |
| 157 | 908005095 | SCREW M5X9 | 1 | |
| 158 | 928405000 | SPRING WASHER | 2 | |
| 159 | 908205625 | FILLISTER HEAD SCREW M5X62 | 2 | |
| 160 | 020118121 | COVER ASSY. INC. 161 | 1 | |
| 161 | 001118062 | NUT M5 | 2 | |
| 162 | 908605145 | FILLISTER HEAD SCREW M5X14 | 2 | |
| 163 | 020173202 | AIR FILTER CPL.(NYLON) | 1 | |
| 164 | 908005165 | FILLISTER HEAD SCREW M5X16 | 3 | |
| 165 | 027118154 | HOOD | 1 | |
| 166 | 965404780 | GASKET | 1 | |
| 167 | 908005095 | SCREW M5X9 | 1 | |
| 168 | 965525032 | GASKET | 1 | |
| 169 | 027118054 | BOTTOM | 1 | |
| 170 | 965404230 | PLUG(CARB. HEATING) | 1 | |
| 171 | 965401024 | RUBBER BUSH | 1 | |
| 172 | 965404410 | RUBBER BUSH | 1 | |

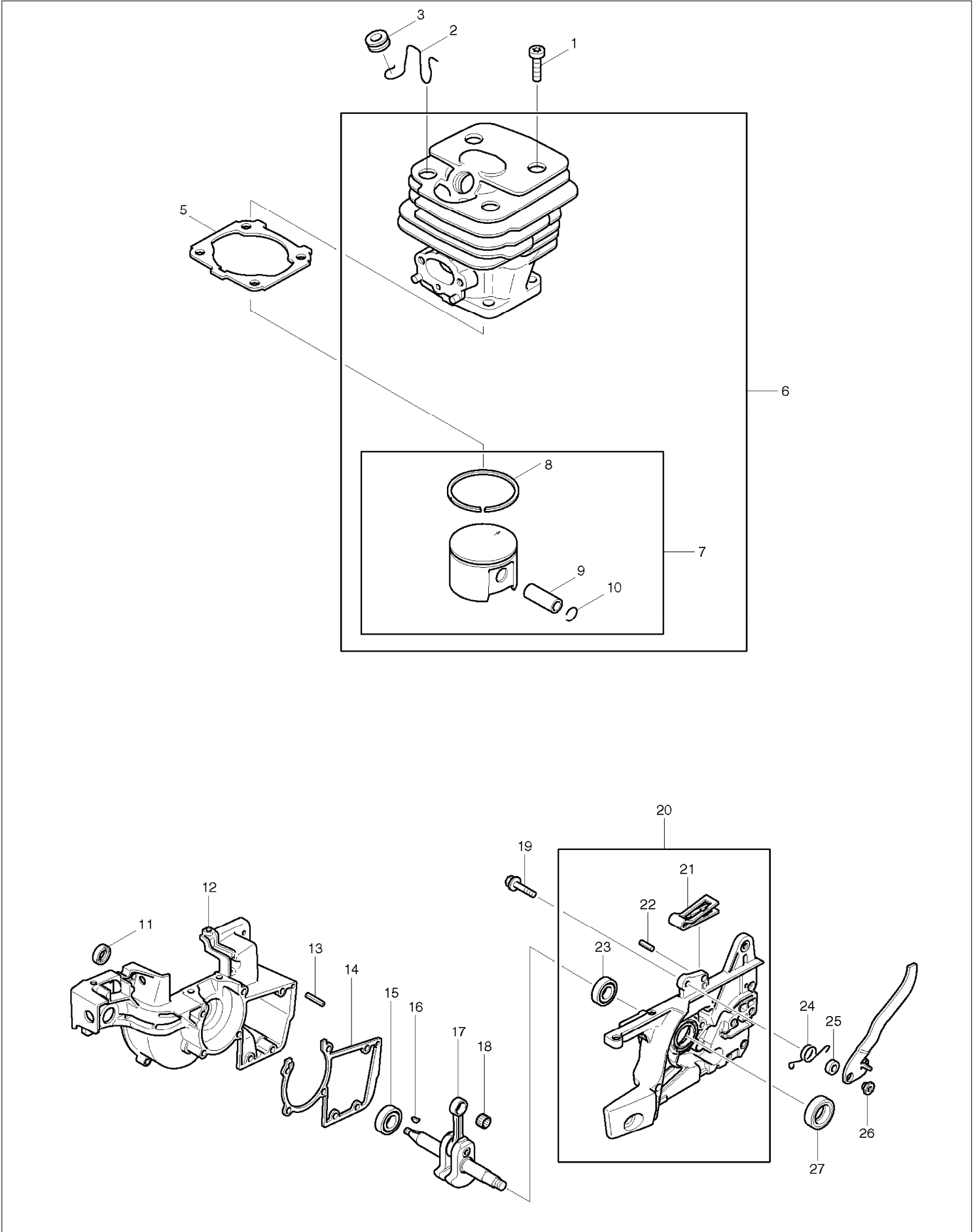
SPARE PARTS LIST

MODEL NO. DCS430

| ITEM | PART NO. | DESCRIPTION | QTY | NOTE |
|------|-----------|--|-----|------|
| 173 | 965404341 | GASKET | 1 | |
| 174 | 020131043 | INTER MEDIATE FLANGE | 1 | |
| 175 | 965524023 | GASKET | 1 | |
| 176 | 027151011 | INJECTION CARBURETOR INC. 177,188-215 | 1 | |
| 177 | 027150830 | CHOKE LEVER | 1 | |
| 178 | 020118030 | GUIDE PIECE | 1 | |
| 179 | 908205658 | FILLISTER HEAD SCREW M5X65 | 2 | |
| 180 | 924105300 | WASHER 5.3 | 2 | |
| 181 | 020171100 | CONNECTING MUFF | 1 | |
| 182 | 020117281 | THROTTLE LINKAGE CPL. | 1 | |
| 186 | 027151011 | INJECTION CARBURETOR INC. 177,188-215 | 1 | |
| 188 | 001151240 | IDLE STOP SCREW | 1 | |
| 189 | 021151230 | PRESSURE SPRING | 1 | |
| 190 | 118151190 | SCREW | 1 | |
| 191 | 001151165 | PUMP COVER | 1 | |
| 192 | 021151540 | SET GASKET/DIAPHRAGM INC. 193 | 1 | |
| 193 | 021151150 | PUMP DIAPHRAGM,RUBBER | 1 | |
| 194 | 021151180 | SCREEN | 1 | |
| 195 | 118151060 | SCREW | 1 | |
| 196 | 021151320 | THROTTLE SHUTTER | 1 | |
| 197 | 001151580 | SLEEVE | 1 | |
| 198 | 001151590 | LEVER | 1 | |
| 199 | 118151060 | SCREW | 1 | |
| 200 | 001151600 | CHOKE SHAFT | 1 | |
| 201 | 118151020 | SCREW | 4 | |
| 202 | 021151120 | DIAPHRAGM COVER | 1 | |
| 204 | 957150040 | SET OF CONTROL PARTS | 1 | |
| 205 | 144150030 | COVER DISC | 1 | |
| 206 | 001151260 | CHOKE SHUTTER | 1 | |
| 207 | 118151060 | SCREW | 1 | |
| 208 | 118151170 | FRICTION BALL | 1 | |
| 209 | 118151160 | FRICTION SPRING | 1 | |
| 210 | 021151530 | SPRING(H) | 1 | |
| 211 | 001151310 | SPRING | 1 | |
| 212 | 021151480 | SPRING(L) | 1 | |
| 213 | 001151301 | TROTTLE SHAFT | 1 | |
| 214 | 001151510 | MAIN ADJUSTMENT SCREW | 1 | |
| 215 | 001151470 | IDLING ADJUSTMENT SCREW | 1 | |
| 216 | 528086664 | SAW CHAIN 15" | 1 | |
| 219 | 411406700 | SPROCKET NOSE CPL. | 1 | |
| 220 | 445038631 | SPROCKET NOSE BAR 15" INC. 219 | 1 | |
| 223 | 952020650 | CHAIN PROT. COVER 15"-18" | 1 | |
| 225 | 934930100 | CLAMPING SLEEVE | 1 | |
| A01 | 020173061 | SNOW FILTER | 1 | |

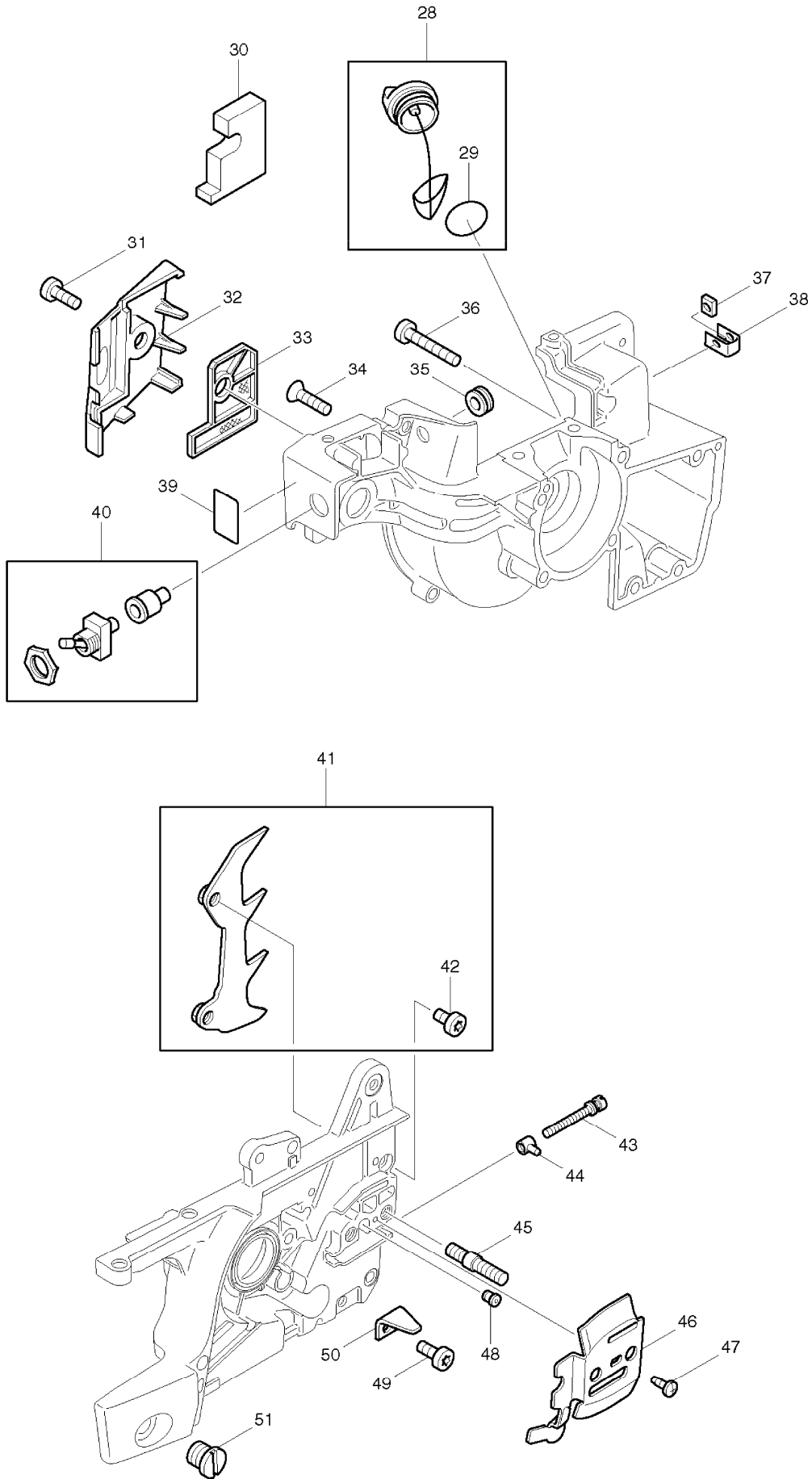
SERVICE DRAWING

MODEL NO. DCS430



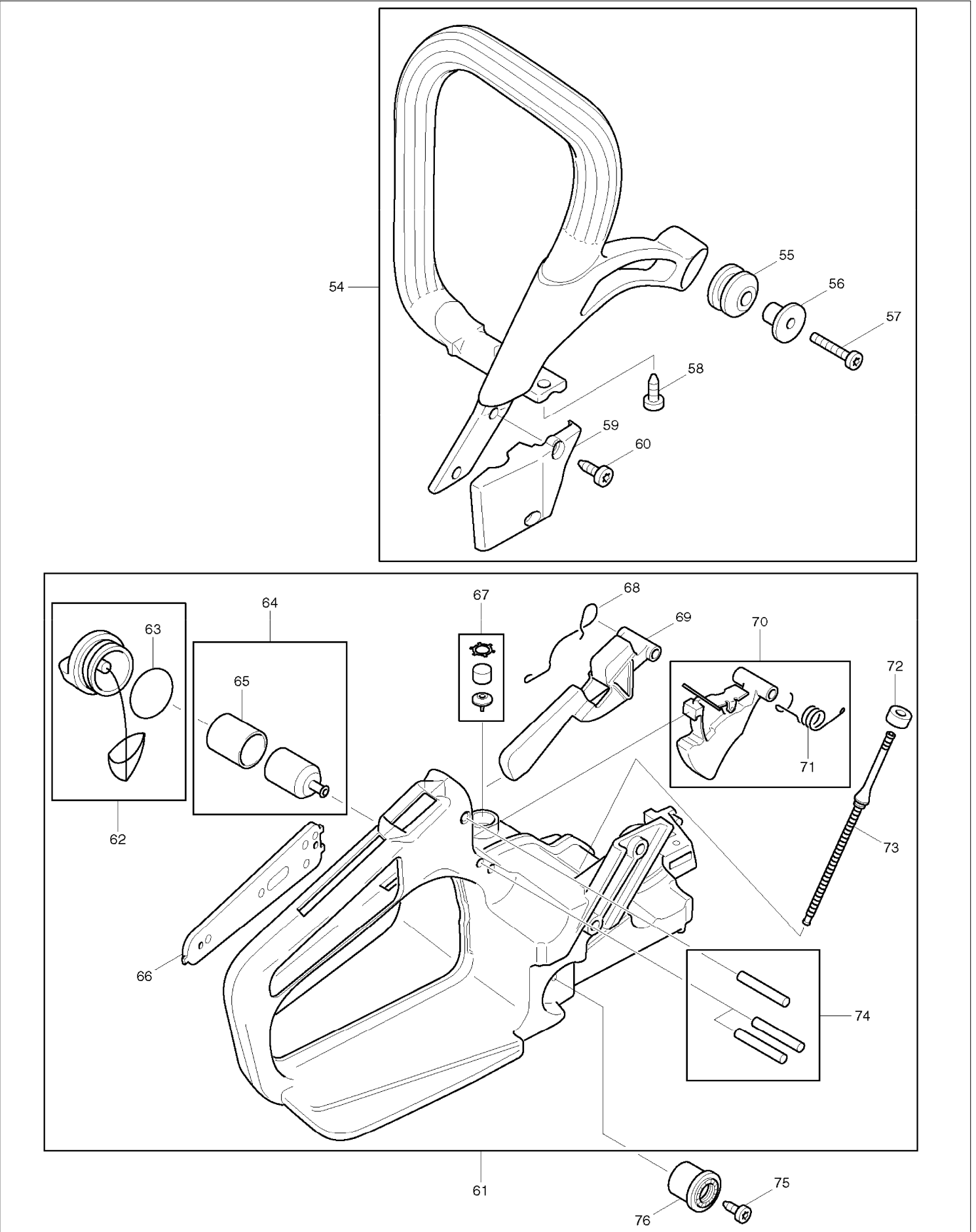
SERVICE DRAWING

MODEL NO. DCS430



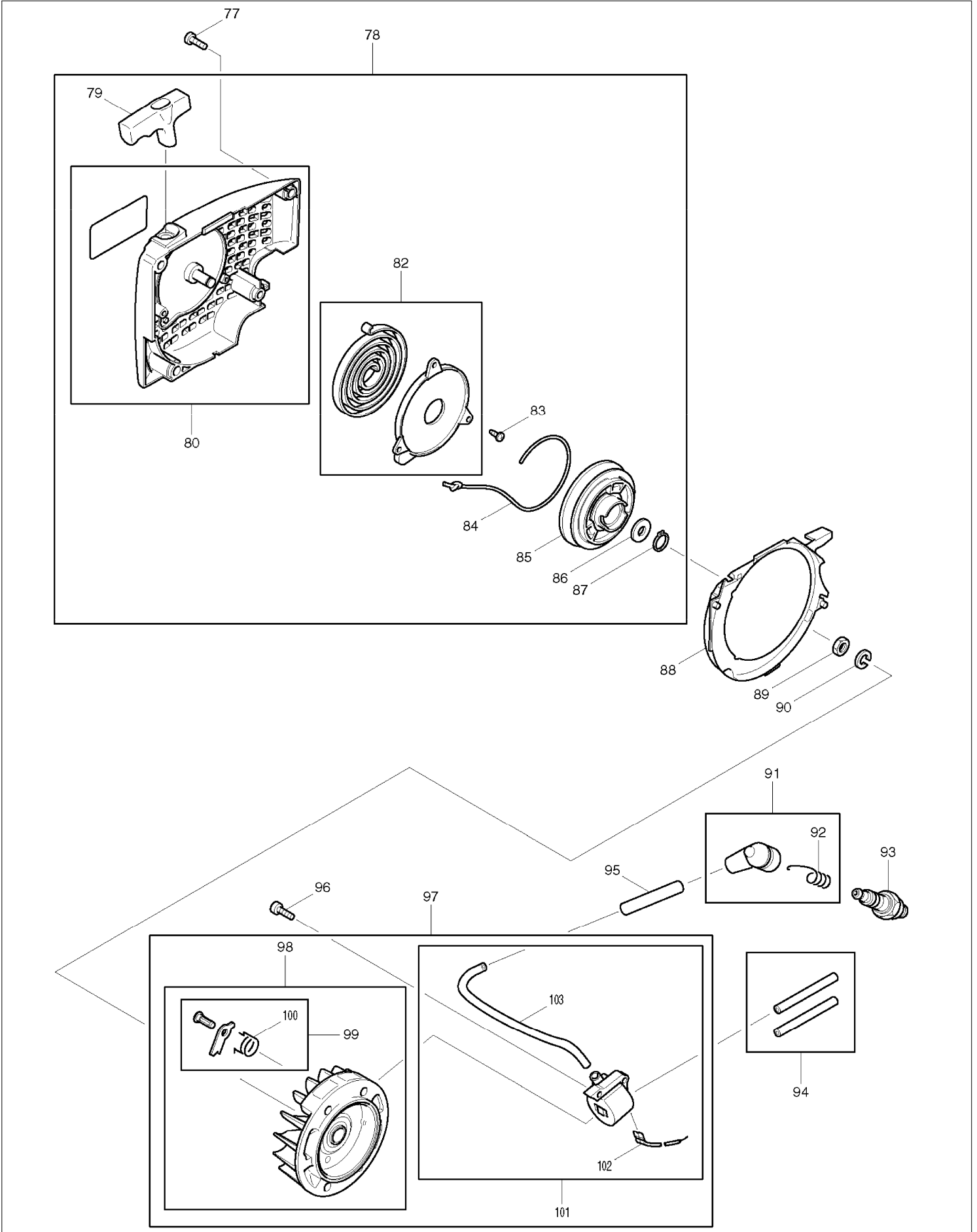
SERVICE DRAWING

MODEL NO. DCS430



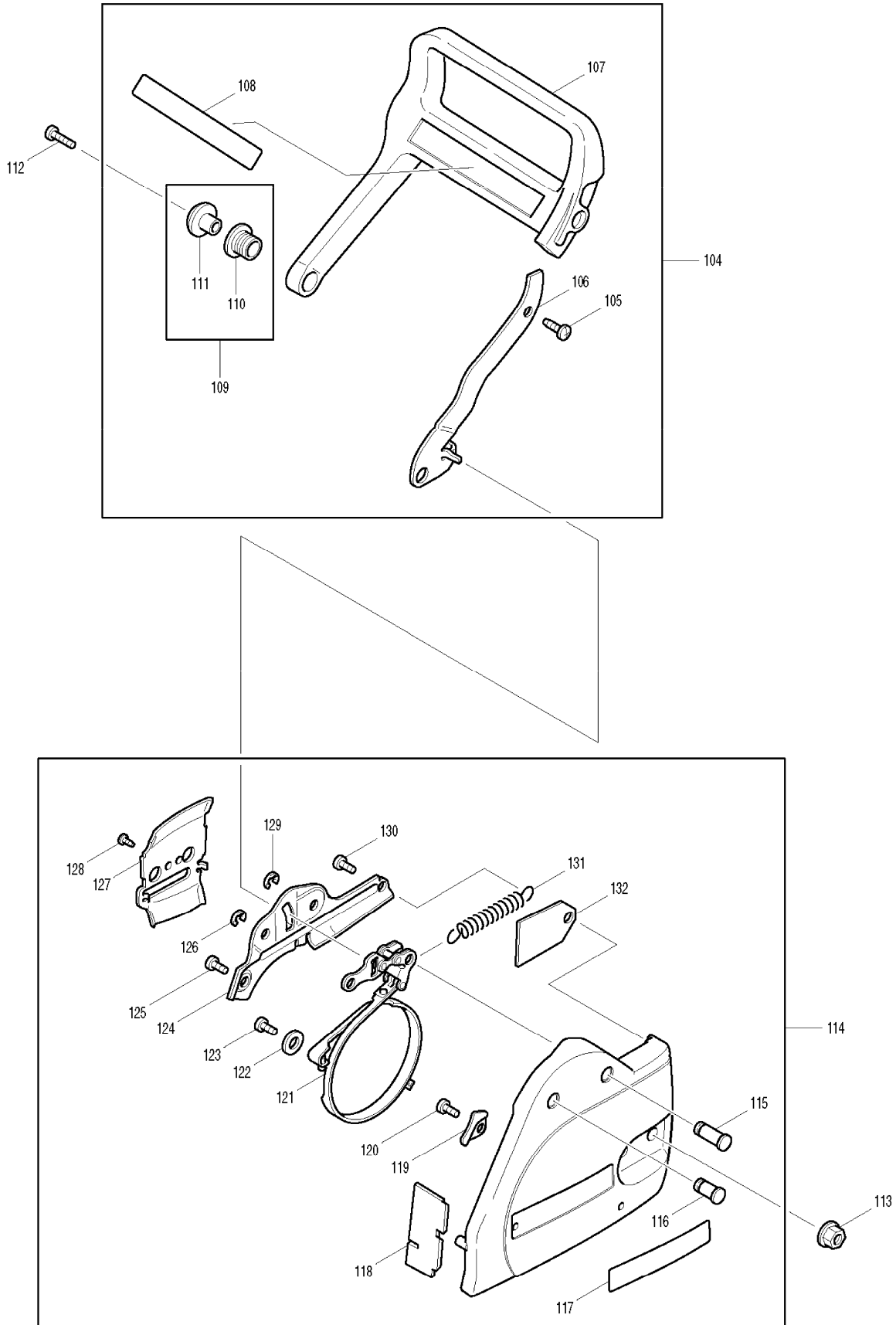
SERVICE DRAWING

MODEL NO. DCS430



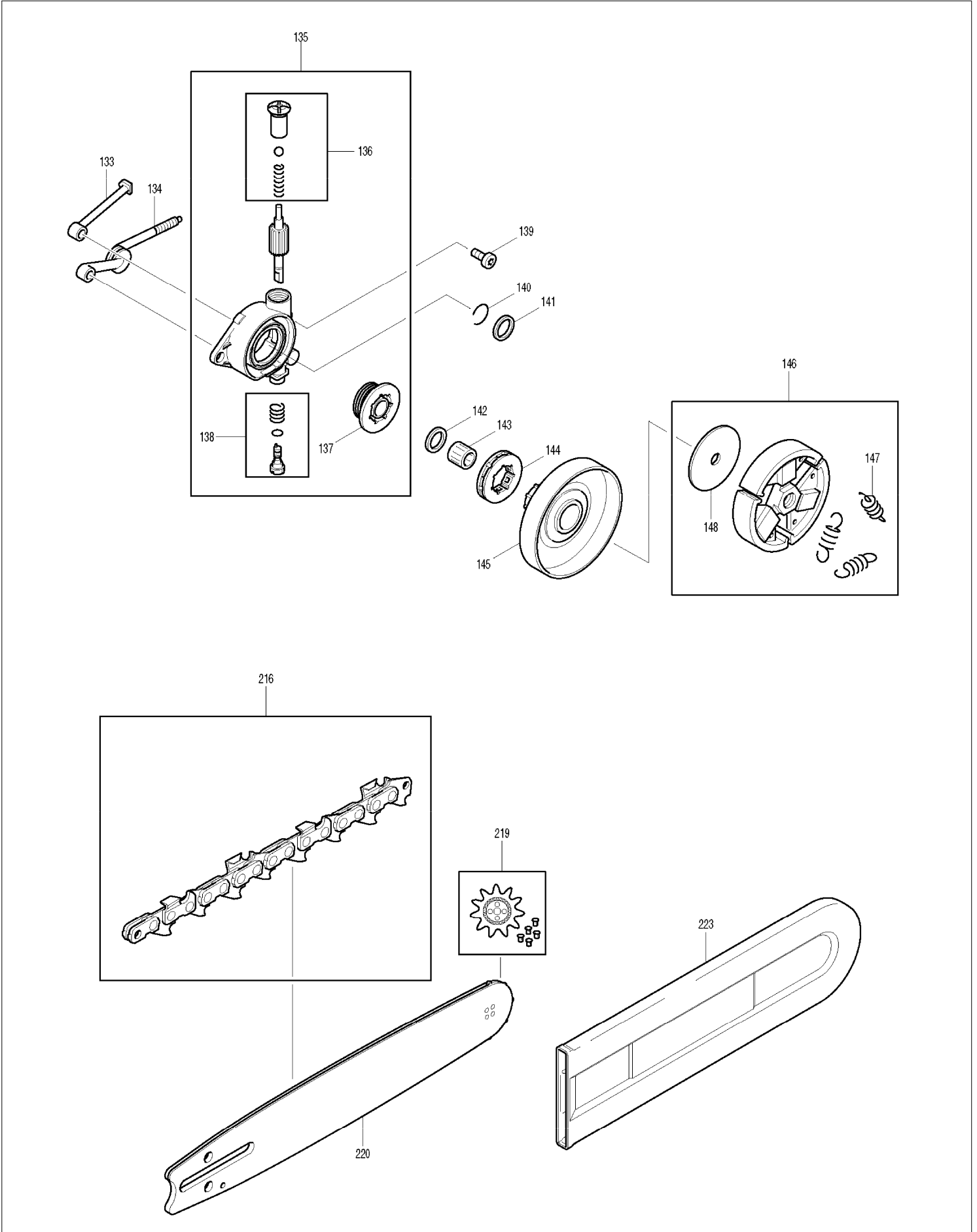
SERVICE DRAWING

MODEL NO. DCS430



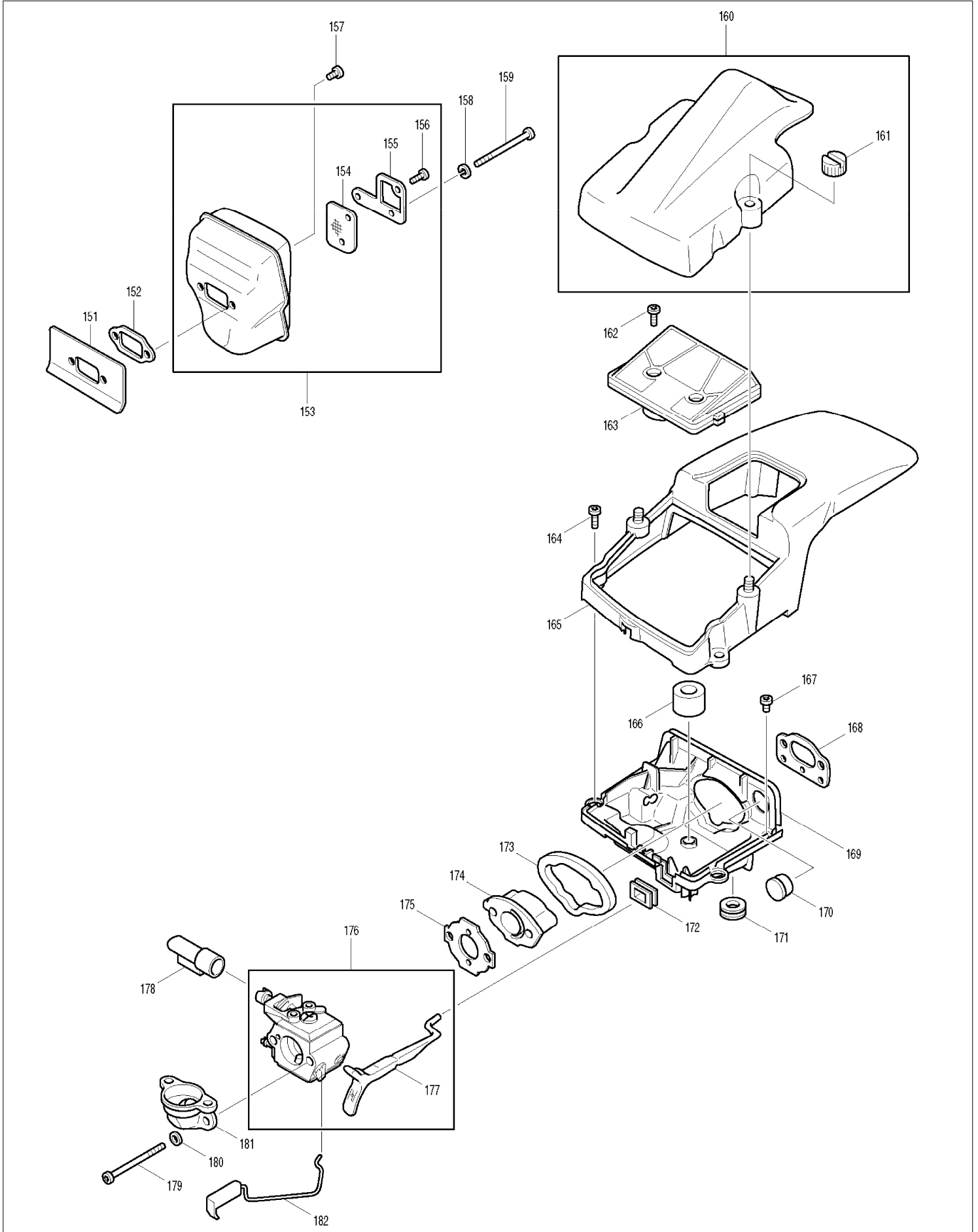
SERVICE DRAWING

MODEL NO. DCS430



SERVICE DRAWING

MODEL NO. DCS430



SERVICE DRAWING

MODEL NO. DCS430

