

SPARE PARTS LIST

MODEL NO. LS1214

ITEM	PART NO.	DESCRIPTION	QTY	NOTE
001	265995-6	TAPPING SCREW 4X18	2	
002	416075-3	REAR COVER	1	
003	265995-6	TAPPING SCREW 4X18	1	
004	631238-2	CONTROLLER	1	
005	645105-5	NOISE SUPPRESSOR	1	
006	911373-5	PAN HEAD SCREW M6X50	4	
007	153907-0	MOTOR HOUSING COMPLETE	1	
008	181044-0	CARBON BRUSH CB-153	1	
009	643650-4	BRUSH HOLDER CAP 6.5-13.5	2	
010	860629-2	NAME PLATE LS1214	1	
011	599508-4	FIELD ASS'Y 220-240V	1	
012	266059-9	TAPPING SCREW 5X75	2	
013	416264-0	BAFFLE PLATE	1	
014	211061-7	BALL BEARING 6000LLB	1	
015	681642-5	INSULATION WASHER	1	
016	516738-2	ARMATURE ASS'Y 220V INC. 14,15,17	1	
017	240001-8	FAN 80	1	
018	911223-4	PAN HEAD SCREW M5X16	2	
019	285686-3	BEARING RETAINER 94	1	
020	211251-2	BALL BEARING 6003LLB	1	
021	961057-5	RETAINING RING S-17	1	
022	231928-3	RING SPRING 8	1	
023	256633-1	PIN 6	1	
024	231240-1	COMPRESSION SPRING 7	1	
025	961018-5	STOP RING E-5	1	
026	253804-1	FLAT WASHER 6	1	
027	257163-5	RING 6	1	
028	345419-9	LINK PLATE	1	
029	922331-6	HEX. SOCKET HEAD BOLT M6X20	1	
030	253804-1	FLAT WASHER 6	1	
031	257163-5	RING 6	1	
032	316470-6	SPRING HOLDER	1	
033	233424-7	COMPRESSION SPRING 34	1	
034	324458-2	LOCK PIN 8	1	
035	418610-3	ROD HOLDER	1	
036	266034-5	TAPPING SCREW CT 4X16	2	
037	345855-9	LOCK LEVER	1	
038	922107-1	HEX. SOCKET HEAD BOLT M4X8	2	
039	961012-7	STOP RING E-6	1	
040	324459-0	ROD 8	1	
041	231633-2	TORSION SPRING 8	1	
042	421589-9	CAP	1	
043	911113-1	PAN HEAD SCREW M4X10	2	
044	345417-3	LOCK PLATE	1	
047	411478-6	SWITCH BUTTON	1	
048	183840-2	HANDLE SET INC. 62	1	
049	682540-6	CORD GUARD 9.3-90	1	
050	665865-3	POWER SUPPLY CORD 1.0-2-2.5	1	
051	687052-4	STRAIN RELIEF	1	
052	265995-6	TAPPING SCREW 4X18	2	
053	414546-4	CAM	1	
054	416000-4	LOCK OFF LEVER	1	
056	231457-6	COMPRESSION SPRING 3	1	
057	645200-1	NOISE SUPPRESSOR	1	
058	651923-1	SWITCH TG70B	1	
059	651941-9	SWITCH V-15-2A5	1	
060	415999-0	SWITCH LEVER	1	
061	265995-6	TAPPING SCREW 4X18	6	
062	183840-2	HANDLE SET	1	

SPARE PARTS LIST

MODEL NO. LS1214

ITEM	PART NO.	DESCRIPTION	QTY	NOTE
		INC. 48		
063	921467-8	HEX. BOLT M8X45	1	
064	262003-4	RUBBER RING 6	1	
065	911323-0	PAN HEAD SCREW M6X16	1	
066	421562-9	GRIP	1	
067	344420-1	GRIP HOLDER	1	
068	911323-0	PAN HEAD SCREW M6X16	1	
069	911114-9	PAN HEAD SCREW M4X10	1	
070	419277-0	DUST NOZZLE	1	
071	213460-9	O RING 35	1	
072	911113-1	PAN HEAD SCREW M4X10	1	
073	265717-4	SCREW M6X43	1	
074	262001-8	URETHANE RING 5	1	
075	317176-9	STOPPER ARM	1	
076	344045-1	STOPPER ARM PLATE	1	
077	819215-6	MAKITA LOGO LABEL	1	
078	188377-4	BLADE CASE SET	1	
		INC. 77		
079	345611-7	GUARD PLATE	1	
080	421916-0	GUARD	1	
081	211031-6	BALL BEARING 608LLB	1	
082	961054-1	RETAINING RING S-14	1	
083	226750-1	SPIRAL BEVEL GEAR 35	1	
084	262074-1	RUBBER RING 20	1	
085	267035-6	FLAT WASHER 14	1	
086	213675-8	O RING 54	1	
087	316473-0	BEARING BOX	1	
088	254202-2	KEY 4	1	
089	322989-5	SPINDLE	1	
090	211278-2	BALL BEARING 6203DDW	1	
091	285828-9	BEARING RETAINER 66	1	
092	257022-3	RING 16	1	
093	911223-4	PAN HEAD SCREW M5X16	2	
094	224398-3	FLANGE 61	1	
095	257262-3	RING 16	1	
096	224398-3	FLANGE 61	1	
097	265405-3	HEX. FRANGE HEAD BOLT M10X20	1	
098	344473-0	CENTER PLATE	1	
099	344038-8	CENTER COVER	1	
100	265324-3	HEX. FLANGE HEAD BOLT M8X12	1	
101	265008-3	+ FLAT HEAD SCREW M5	1	
102	231613-8	TORSION SPRING 45	1	
103	450131-9	SAFETY COVER	1	
104	253977-0	FLAT WASHER 6	1	
105	911213-7	PAN HEAD SCREW M5X12	1	
106	331428-4	PIN 16-113	1	
107	252105-4	HEX. LOCK NUT M8-13	1	
108	941201-0	FLAT WASHER 8	1	
109	317984-8	ARM	1	
110	322629-5	STOPPER PIN	1	
111	213011-8	O RING 7	1	
112	687042-7	STRAIN RELIEF	1	
113	266026-4	TAPPING SCREW BIND CT 4X12	1	
114	271601-3	KNOB 20	1	
115	251961-9	H.S.SET SCREW(FLAT POINT)M6X10	1	
116	265455-8	HEX. BOLT M8X28	2	
117	265412-6	HEX. BOLT M8X20	2	
118	216003-6	STEEL BALL 10	2	
119	345418-1	GUIDE PLATE	1	
120	231626-9	TORSION SPRING 28	1	
121	413067-3	INDICATION PLATE	2	

SPARE PARTS LIST

MODEL NO. LS1214

ITEM	PART NO.	DESCRIPTION	QTY	NOTE
122	911114-9	PAN HEAD SCREW M4X10	2	
123	233168-9	COMPRESSION SPRING 5	2	
124	266131-7	H.S.SET SCREW(FLATPOINT)M12X12	2	
125	151459-5	ARM HOLDER COMPLETE	1	
126	251662-9	HEX. BOLT M10X100	1	
127	911113-1	PAN HEAD SCREW M4X10	1	
128	416006-2	LEVER 100	1	
129	252144-4	HEX. NUT M10-17	1	
130	253024-7	FLAT WASHER 10	1	
131	231266-3	COMPRESSION SPRING 5	1	
132	152542-1	SQUARE ROD COMPLETE	1	
133	921356-7	HEX. BOLT M6X35	2	
134	153832-5	TURN BASE COMPLETE	1	
135	152540-5	BEARING BOX B COMPLETE	1	
136	922451-6	HEX. SOCKET HEAD BOLT M8X30	2	
137	253852-0	FLAT WASHER 8	1	
138	265442-7	HEX. BOLT M8X40	1	
139	415209-5	KERF BOARD	2	
140	266026-4	TAPPING SCREW BIND CT 4X12	4	
141	911108-4	PAN HEAD SCREW M4X8	1	
142	252014-7	HEX. LOCK NUT M6-10	1	
143	344463-3	SUB FENCE PLATE	1	
144	153890-1	SUB FENCE COMPLETE	1	
145	265488-3	HEX. BOLT M8X30	4	
146	317757-9	GUIDE FENCE	1	
147	912357-6	COUNTERSUNK HEAD SCREW M6X35	1	
148	253715-0	FLAT WASHER 6	1	
149	251887-5	SCREW M6X10	1	
150	266026-4	TAPPING SCREW BIND CT 4X12	2	
151	816326-8	MITER SCALE PLATE	1	
152	266132-5	SCREW M8X320	1	
153	931402-8	HEX. NUT M8	1	
154	271314-6	GRIP 40	1	
155	941201-0	FLAT WASHER 8	1	
156	152541-3	KNOB 48 COMPLETE	1	
157	421863-5	CAP	1	
158	331491-7	PIN 9-200	1	
159	421563-7	CAP 10	1	
160	322924-3	COIL SPRING	1	
161	322909-9	LOCK PIN	1	
162	253804-1	FLAT WASHER 6	1	
163	231307-5	COMPRESSION SPRING 6	1	
164	961018-5	STOP RING E-5	1	
165	316899-6	PIN HOLDER	1	
166	266034-5	TAPPING SCREW CT 4X16	2	
167	344411-2	SLIDE STOPPER	1	
168	251267-5	+ PAN HEAD SCREW M6	1	
169	256196-7	PIN 5	1	
170	331493-3	TURN STOPPER	1	
171	344412-0	STOPPER HOLDER	1	
172	266034-5	TAPPING SCREW CT 4X16	1	
173	266026-4	TAPPING SCREW BIND CT 4X12	1	
174	816128-2	POINTER	1	
175	344477-2	SLIDE PLATE	2	
176	266034-5	TAPPING SCREW CT 4X16	1	
177	232075-3	LEAF SPRING	1	
178	251887-5	SCREW M6X10	2	
179	153889-6	BASE COMPLETE	1	
180	286212-1	CAP 20	4	
181	253791-4	FLAT WASHER 25	1	
182	345494-5	STOPPER	1	

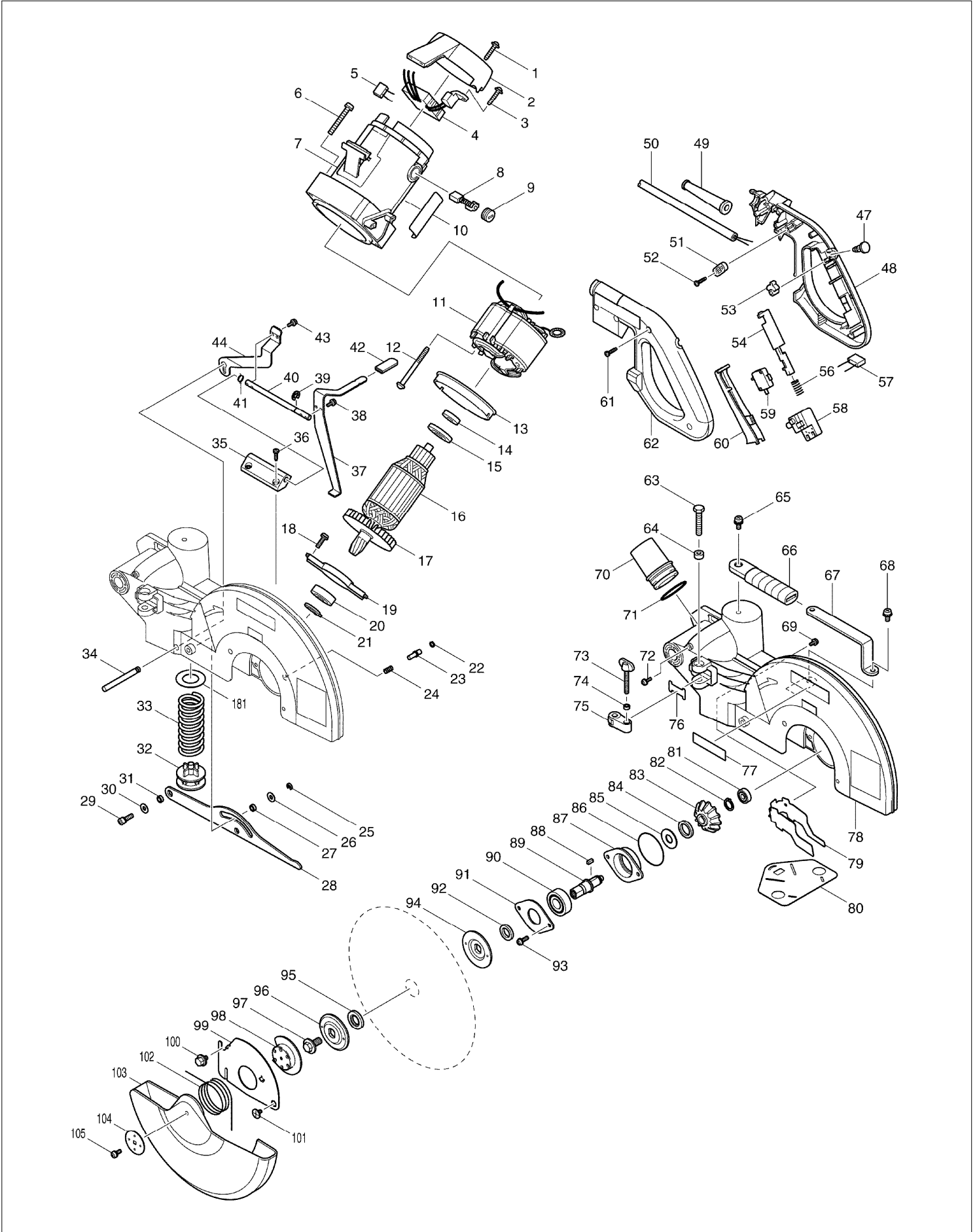
SPARE PARTS LIST

MODEL NO. LS1214

ITEM	PART NO.	DESCRIPTION	QTY	NOTE
A01	122852-0	DUST BAG ASS'Y	1	
A02	122540-9	WISE ASS'Y	1	
A03	153896-9	SUB FENCE R COMPLETE	1	
A04	411478-6	SWITCH BUTTON	2	
A05	762001-3	TRIANGULAR RULE	1	
A06	251887-5	SCREW M6X10	2	
A07	322932-4	HOLDER 255	2	
A08	B-04606	TCT SAW BLADE 305X30X70T	1	
A09	782212-4	SOCKET WRENCH 13	1	

SERVICE DRAWING

MODEL NO. LS1214



SERVICE DRAWING

MODEL NO. LS1214

