

SPARE PARTS LIST

MODEL NO. HM1400

ITEM	PART NO.	DESCRIPTION	QTY	NOTE
001	922471-0	HEX. SOCKET HEAD BOLT M8X50	6	
003	211109-5	BALL BEARING 6201	1	
004	221713-2	HELICAL GEAR 36	1	
005	211109-5	BALL BEARING 6201	1	
006	331212-7	SEAL	1	
007	213460-9	O RING 35	1	
008	211206-7	BALL BEARING 6202LLB	1	
009	213202-1	DUST SEAL 15	1	
010	241648-1	FAN 104	1	
011	514843-9	ARMATURE ASS'Y 220V	1	
		INC. 8-13		
012	681635-2	INSULATION WASHER	1	
013	211066-7	BALL BEARING 6200LLB	1	
014	213406-5	O RING 30	1	
015	524793-0	FIELD ASS'Y 220V	1	
016	942301-9	SPRING WASHER 12	1	
017	922667-3	HEX. SOCKET HEAD BOLT M12X45	1	
018	321560-2	CRANK SLEEVE	1	
019	321557-1	CONNECTING ROD	1	
020	212307-4	NEEDLE BEARING 1820	1	
022	265343-9	+ HEX. BOLT M5X80	2	
023	321556-3	CRANK SHAFT	1	
024	266009-4	HEX. SOCKET HEAD BOLT M8X18	4	
025	254001-2	WOODRUFF KEY 4	2	
027	315525-4	BEARING BOX	1	
028	211359-2	BALL BEARING 6205	1	
029	213354-8	OIL SEAL 25	1	
030	157648-0	GEAR HOUSING	1	
		INC. 7		
031	221714-0	HELICAL GEAR 53	1	
032	211214-8	BALL BEARING 6302	1	
033	315908-8	GEAR HOUSING COVER	1	
034	323147-6	SWITCH LEVER PIN	1	
035	342531-6	SWITCH LEVER	1	
036	961011-9	STOP RING E-4	1	
037	651131-4	SWITCH C3D-15MS	1	
038	181906-2	HANDLE SET	1	
		INC. 52		
039	911253-5	PAN HEAD SCREW M5X30	3	
040	922356-0	HEX. SOCKET HEAD BOLT M6X35	4	
042	316385-7	REAR CASE	1	
043	253751-6	FLAT WASHER 24	1	
044	159420-6	MOTOR HOUSING	1	
045	953106-2	RIVET 0-5	4	
046	855573-6	NAME PLATE HM1400	1	
047	423137-0	PACKING	1	
048	687031-2	STRAIN RELIEF	1	
049	911133-5	PAN HEAD SCREW M4X18	2	
050	685725-3	SPONGE SHEET	1	
051	645105-5	NOISE SUPPRESSOR	1	
052	181906-2	HANDLE SET	1	
		INC. 38		
053	922461-3	HEX. SOCKET HEAD BOLT M8X40	4	
055	321956-7	HANDLE SLEEVE	4	
056	421308-3	SLEEVE	4	
057	682540-6	CORD GUARD 9.3-90	1	
058	665883-1	POWER SUPPLY CORD 1.0-2-5.0	1	
059	213855-6	O RING 95	1	
060	315906-2	CRANK HOUSING	1	
061	442009-0	PACKING 50	1	
062	341397-1	PLATE 50	1	

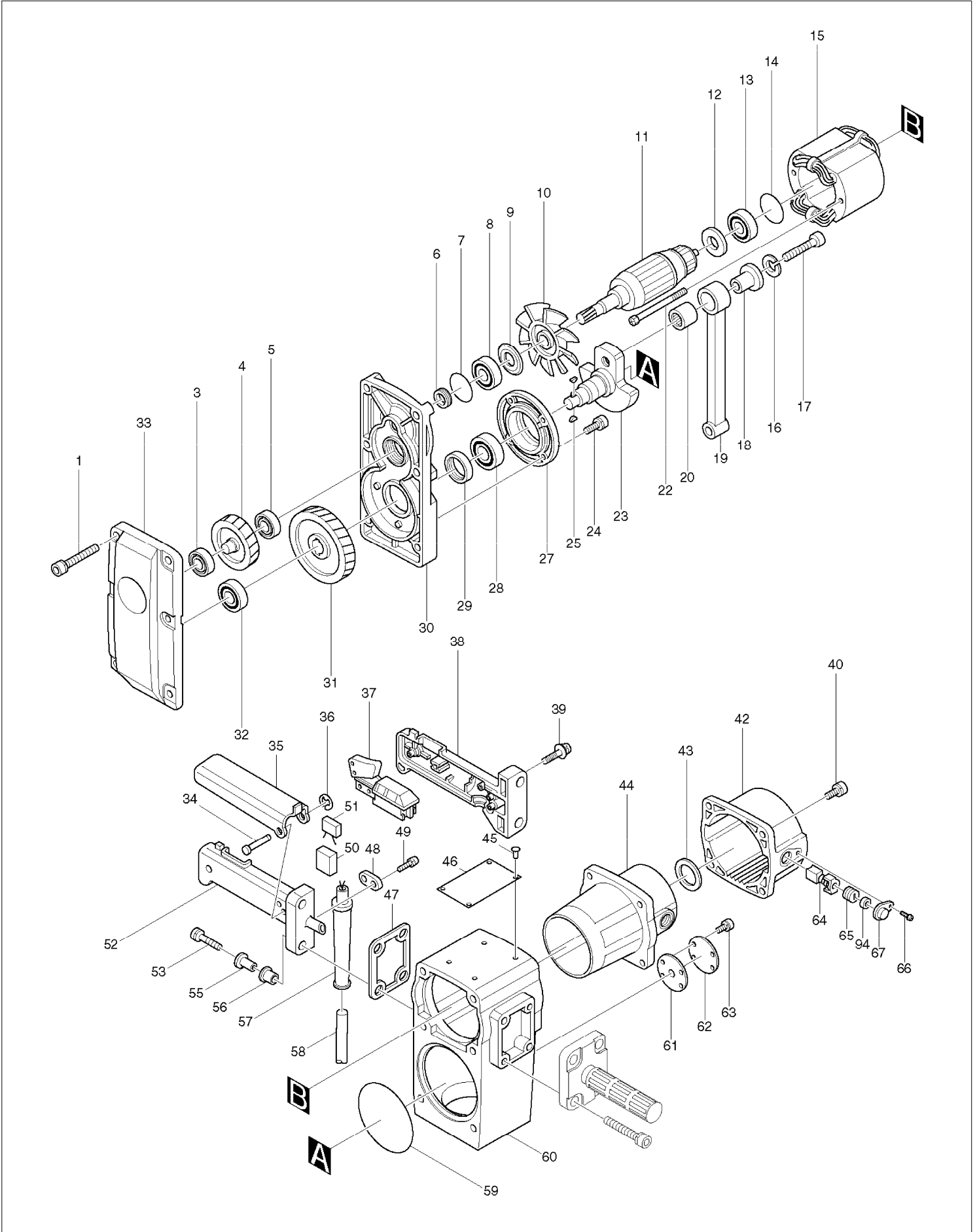
SPARE PARTS LIST

MODEL NO. HM1400

ITEM	PART NO.	DESCRIPTION	QTY	NOTE
063	911211-1	PAN HEAD SCREW M5X12	4	
064	181048-2	A.C. CARBON BRUSH CB-155	1	
065	643650-4	BRUSH HOLDER CAP 6.5-13.5	2	
066	911216-1	PAN HEAD SCREW M5X14	2	
067	343891-9	HOLDER CAP PLATE	2	
068	213755-0	O RING 75	1	
069	315524-6	CYLINDER	1	
071	922461-3	HEX. SOCKET HEAD BOLT M8X40	4	
072	262034-3	NYLON RING 63	1	
073	253861-9	FLAT WASHER 63	1	
074	331299-9	IDLER	1	
075	322208-9	RING HOLDER	1	
076	321563-6	IMPACT BOLT	1	
077	262039-3	NYLON RING 22	1	
078	213517-6	X RING 40	1	
079	213504-5	O RING 40	1	
080	213754-2	O RING 71	1	
082	266010-9	HEX. SOCKET HEAD BOLT M8X30	6	
083	321961-4	TOOL HOLDER	1	
084	321788-2	TOOL RETAINER	1	
085	231032-8	COMPRESSION SPRING 5	1	
086	216004-4	STEEL BALL 7.9	1	
087	322059-0	HAMMER	1	
088	412055-7	PISTON RING 50	1	
089	341993-5	INNER RING	1	
090	412055-7	PISTON RING 50	1	
091	341993-5	INNER RING	1	
092	321562-8	PISTON	1	
093	256128-4	PIN 10	1	
094	262003-4	RUBBER RING 6	2	
400	273423-7	GRIP 40	1	
402	922451-6	HEX. SOCKET HEAD BOLT M8X30	4	
404	783204-6	HEX. WRENCH 6	1	
405	798029-5	BULL POINT 30-410	1	

SERVICE DRAWING

MODEL NO. HM1400



SERVICE DRAWING

MODEL NO. HM1400

